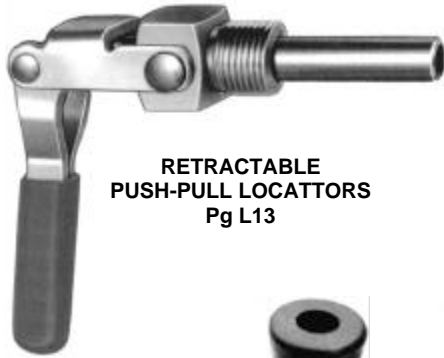


UniGrip Toggle Clamps

**UNITED Clamps
Wide Assortment**

Better!

Faster!



RETRACTABLE
PUSH-PULL LOCATORS
Pg L13



PULL LATCH UNI-GRIP TOGGLE CLAMPS Pg L12



VERTICAL SIDE MOUNT
TOGGLES Pg L5



HORIZONTAL FLANGE BASES Pg L9

SPINDLE ASSEMBLIES &
ACCESSORIES Pg L19



UNI-TWIST MULTI-PURPOSE
CLAMPS Pg L18



LATCH TYPE TOGGLE CLAMPS Pg L11



PULL OVER CENTER ACTION
TOGGLES Pg L13



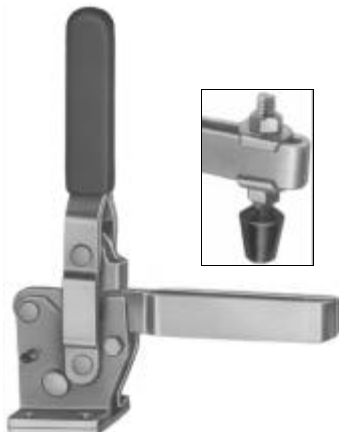
UNI-TWIST FAST
CLAMPS Pg L17

Stronger!



PULL ACTION UNI-GRIP TOGGLE CLAMPS Pg L11

Lower Cost!



VERTICAL FLANGE BASES Pg L8



UNI-GRIP SQUEEZE ACTION PLIERS Pg L16



ADJ. VERTICAL U-BAR Pg L5

UniGrip Toggle Clamps

WELCOME TO *UNITED'S* LITTLE CORNER OF THE CLAMPING WORLD!

The New Standard of Quality!

Better!

Faster!

Stronger!

Lower Cost!

❶ **Vinyl Non-Slip Ergonomic Best Grip!** Handles are durable, safe, oil resistant and operator comfortable.

❸ **Heavy Duty Rivets** are closely toleranced, cold drawn 400 series stainless steel headed rivets.

❺ **All Vertical and Horizontal Toggle Clamps** are provided with **Safety Stops** for positive hold action and operator protection.

❷ **UNITED Flange Base or Straight Base** styles are available.

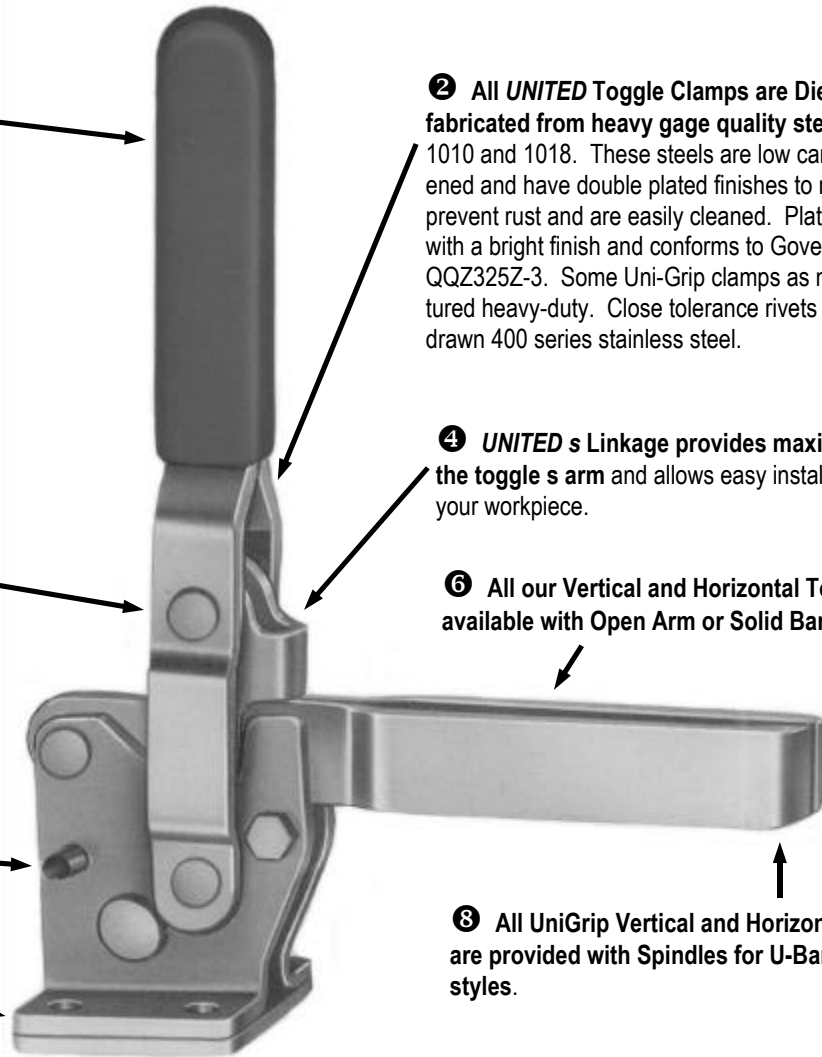
❹ **All UNITED Toggle Clamps** are Die Stamped and fabricated from heavy gage quality steels, including 1008, 1010 and 1018. These steels are low carbon, case hardened and have double plated finishes to resist corrosion, prevent rust and are easily cleaned. Plating is mostly zinc with a bright finish and conforms to Government spec QQZ325Z-3. Some Uni-Grip clamps as noted are manufactured heavy-duty. Close tolerance rivets are leaded cold drawn 400 series stainless steel.

❻ **UNITED s Linkage** provides maximum opening of the toggle s arm and allows easy installation and removal of your workpiece.

❻ **All our Vertical and Horizontal Toggle Clamps** are available with **Open Arm or Solid Bar** styles.

❸ **All UniGrip Vertical and Horizontal Toggle Clamps** are provided with **Spindles** for **U-Bar or Solid Bar** styles.

❹ **All UniGrip Toggle Clamps** are available in several styles, based on your work needs. Styles include:






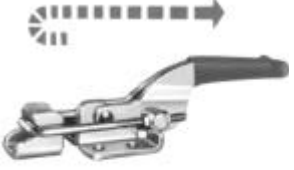


VERTICAL - HORIZONTAL - PUSH - PULL - LATCH - SQUEEZE

UniGrip Toggle Clamps are rated by their maximum pressure at a point closest to the base. It diminishes towards the end of the bar. Clamping force is the actual force applied to the workpiece. Variables to clamping forces are (1) the location of force on the handle, (2) the operator force, (3) location of spindle on bar, and (4) the mechanical advantage in linkage.

FEATURES

- (A) Construction is balanced for maximum life and easy operation.
- (B) Stain resistant plastic for easy identification, safety and comfort.
- (C) Heavy Duty rivets increase endurance.
- (D) Heavy Duty hardened and ground pins and bushings.
- (E) Flanged washers supplied on all U-Bar models. Weld on bolt retainers with solid bar models.
- (F) Plated plungers drilled and tapped for easy attachment.
- (G) Precision machined bearing surfaces and precision reamed holes.
- (H) All parts are accurately machined for ease of operation.
- (I) Rivets are cold headed stainless.

SECTION L INDEX - (BASIC TOGGLE ACTION)

 <p>PAGES L9 L10 L13</p> <p>HORIZONTAL HANDLE (Hold Down Action)</p>	 <p>PAGES L5 L6 L7 L8</p> <p>VERTICAL HANDLE (Hold Down Action)</p>	 <p>PAGES L14 L15</p> <p>PUSH/PULL (Straight Line Action)</p>
 <p>PAGES L11 L12 L13</p> <p>LATCH TYPE (Pull Action)</p>	 <p>PAGE L13</p> <p>STRAIGHT PUSH/PULL (Straight Line Action)</p>	 <p>PAGE L16</p> <p>TOGGLE PLIERS (Squeeze Action)</p>

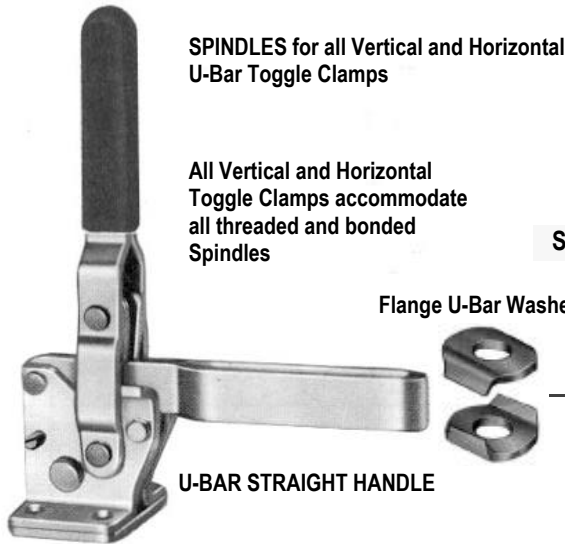
ACCESSORIES Pages L19 and L20.

UniGrip Clamps are available from hundreds of UNITED Distributors. Call 1-800-421-3466 for your nearest inventory.

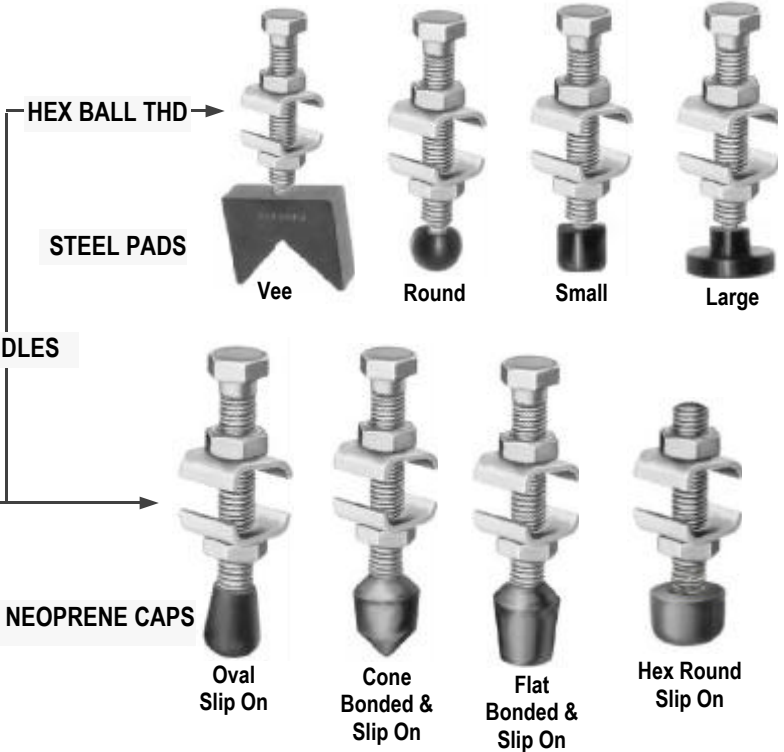
Toggle Elements

Toggle Clamping Elements

VERTICAL FLANGE BASE TOGGLE CLAMPS



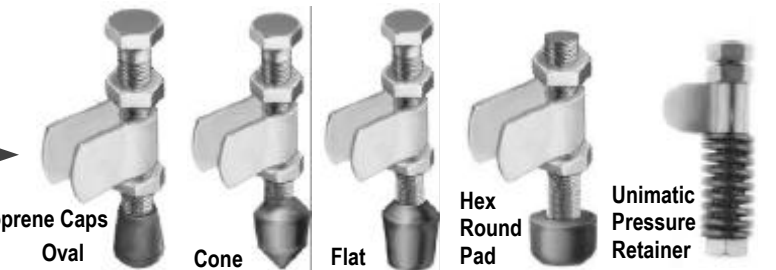
SPINDLE ASSEMBLIES FOR OPEN BAR TOGGLE CLAMPS



VERTICAL T-HANDLE TOGGLE CLAMPS



SPINDLE ASSEMBLIES FOR SOLID BAR TOGGLE CLAMPS



PLUNGER PUSH-PULL & SQUEEZE TOGGLES



Straight Line Action Clamps with low profile for heavy duty service. Usually supplied with longer stronger spindles

See Spindle pages at end of Section L for details and Part Numbers of Spindles and Pads.

