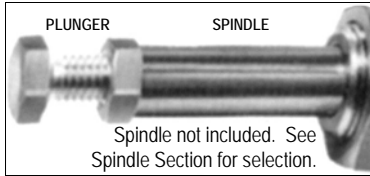


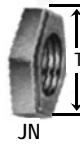
# UniGrip Push-Pull Locators & UniGrip Hold-Down & Pull-Over Action

Push-Pull, Hold-Down & Pull-Over

## 200 to 700 lb. Capacity Retractable Push-Pull Locators UCC-300602

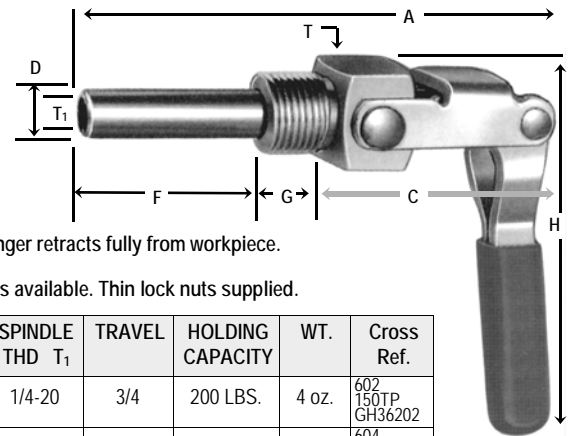


Jam Nut supplied on worksite. Add 'JN' to Part No. for Jam Nut replacement.

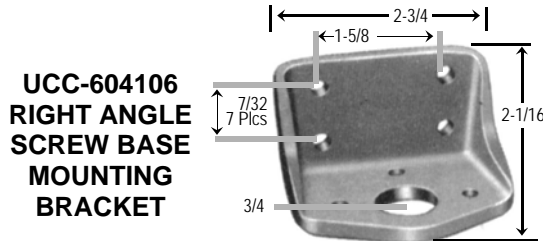


### FEATURES:

- Plunger Clamp with Threaded Collar for Mounting thru Panels/Plates.
- Plunger Clamp with Threaded Collar for Mounting thru Panels/Plates.
- When flush mounted plunger retracts fully from workpiece.
- Optional base mounting is available. Thin lock nuts supplied.

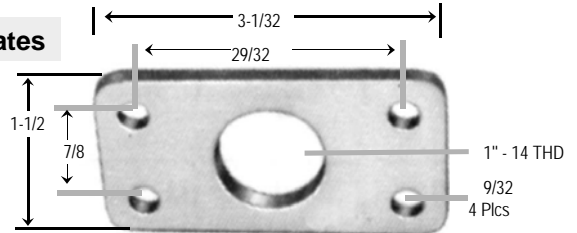


UNITED PART NO.	OAL A	BODY LEN C	PLUNGER DIA D	PLUNGER LEN F	LENGTH THD G	HEIGHT H	JAM NUT THD T	SPINDLE THD T <sub>1</sub>	TRAVEL	HOLDING CAPACITY	WT.	Cross Ref.
UCC-300602	2-3/8	1-1/16	3/8	13/16	1/2	2-15/16	7/8 x 5/8-18	1/4-20	3/4	200 LBS.	4 oz.	602 150TP GH36202
UCC-300604	4-17/32	2-9/16	7/16	1-9/16	5/8	4-1/8	1" x 3/4-16	5/16-18	1-1/2	300 LBS.	9 oz.	604 250TPC GH36204
UCC-300624	6-11/16	3-3/16	5/8	2-23/32	7/8	5-9/16	1-1/2 x 1-14	3/8-16	2-5/8	700 LBS.	24 oz.	624 350TPC GH36224



### Screw Mounting Plates

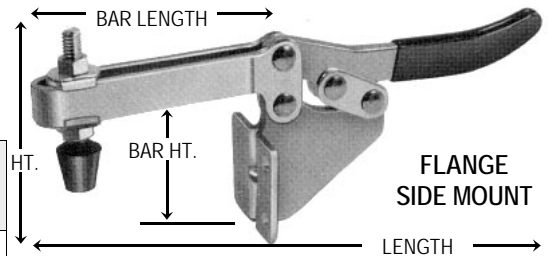
**UCC-624108**  
SCREW BASE  
FLAT MOUNTING  
BRACKET



## 500 lbs. Capacity Hold-Down Action Clamp - Horizontal Side Mounting UCC-300203

Horizontal Side-mounting superior holding Unigrip Long BarToggle Clamps. 50 pound Capacity. Handle moves 62° — Bar moves 95° Has Long U-Bar. Spindle assembly UCC-22508 with flange and washer are provided. Comfort vinyl grip.

500 lb. Capacity

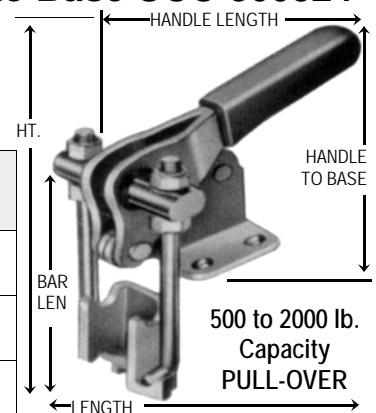


UNITED PART NO.	OVERALL HEIGHT	OVERALL LENGTH	HOLE PATTERN	BAR HT.	BAR LENGTH	WT.	HOLES & SIZE	HOLDING CAPACITY	Cross Ref.
UCC-300202F HORIZONTAL	3-1/16	7-7/8	1" x 1" SIDE FLANGE	2-3/8	2" U-BAR	13 OZ.	4 9/32	500 LBS	GH202F
UCC-300202FL HORIZONTAL	3-1/16	9-21/64	1" x 1" SIDE FLANGE	2-3/8	3-37/64 U-BAR	14 OZ.	4 9/32	500 LBS	GJ202FL

Side mount feature will free up precious fixture top surface space. Add adapter plates vertically to flange base to increase vertical clamp clearance.

## Pull-Over Center Action Clamp Pulls Perpendicular to Base UCC-300324

UNITED's Pull-Over Center Action Clamps hold heavy forces over center. Ideal for access covers on drums, containers or door clamping. Easily adjusted U-Bolts give strong positive action with latch plate. Generally clamp is mounted with clamp on lid and latch on vessel. Designed for applications that are perpendicular.



500 to 2000 lb. Capacity PULL-OVER

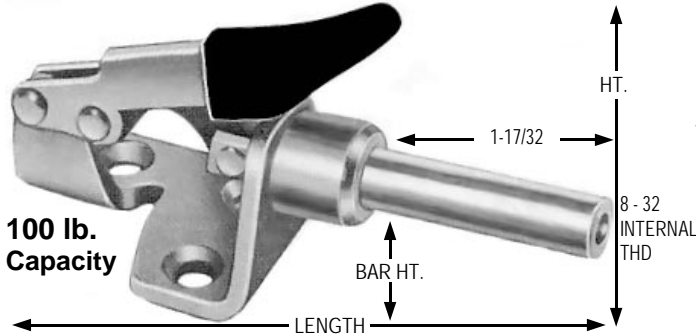
UNITED PART NO.	OVERALL HEIGHT	BAR DRAW MOVEMENT	HOLE PATTERN & BASE	BAR HEIGHT	HANDLE TO BASE	HANDLE LENGTH	WT.	HOLES & SIZE	HOLDING CAPACITY	HOOK ADJUST.	Cross Ref.
UCC-300324 PULL OVER	2-7/64	1-17/32	1/2 x 7/8 FLANGE	2-7/64	2"	3-7/64	4 OZ.	4 13/64	500 LBS	5/8	324 CL-475HTC GH20820
UCC-300334 PULL OVER	2-7/16	2"	3/4 x 1" FLANGE	2-7/16	2-7/16	4-23/32	9 OZ.	4 9/32	1000 LBS	11/16	334 CL-110-PA GH40334
UCC-300344 PULL OVER	3-5/16	2-1/2	1-1/4 x 1-7/16 FLANGE	3-5/16	3-5/16	5-1/8	25 OZ.	4 11/32	2000 LBS	1-3/16	344 CL-210-PA GH40344

## Push-Pull Straight Line

# UniGrip Push-Pull Straight Line Toggles

All with Ground Bars and Spindles with Lock Nuts

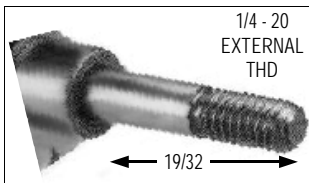
## UCC-300601 MIDGET SERIES Push-Pull Straight Line Action Flange Toggles



100 lb.  
Capacity

Smallest of the Straight Line Clamps—Perfect for electronics and small fixture applications. Plunger locks in extended or retracted position. UCC-300601 is provided with UCC-105203 8-32 Nylon Spindle Assembly.

**UNITED's Plunger Tapped 8-32 for adjustment spindle. Plunger has 5/8" travel. Handle moves 190°. Low weight and height are ideal for confined**

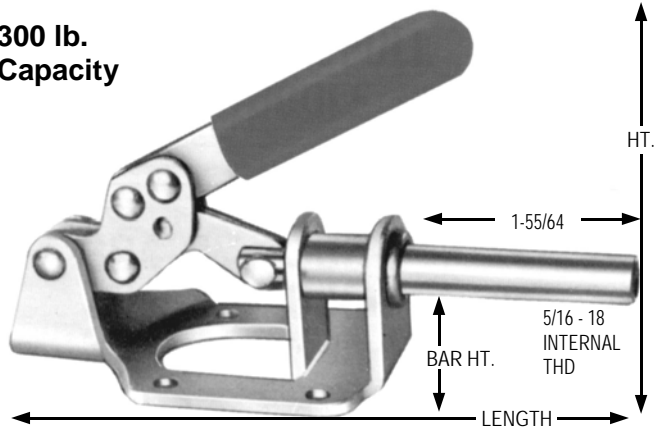


UCC-300601-0  
Short Spindles

UNITED Part No.	Overall Height	Overall Length	Hole Pattern	Bar Height	Plunger Travel	Weight	Holding Capacity	Holes 3	Cross Ref.
UCC-300601	1-1/4	2-27/32	5/8 x 5/8 FLANGE	1/2	5/8	.11 oz. (313g)	100 lbs.	11/64	601 CL150 SPC GH301A
UCC-300601-0	1-1/4	2-19/32	5/8 x 5/8 FLANGE	1/2	5/8	.11 oz. (313g)	100 lbs.	11/64	NONE NONE GH301B

## UCC-300605 Push-Pull Straight Line Flange Toggles

300 lb.  
Capacity

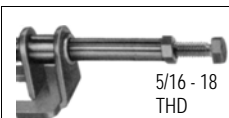


Spindle not included. Accepts all 5/16-18 dia. spindles. Select either UCC-441203 or UCC-207203.

**Increased Clamp life — Longer Wear**

**UNITED's Plunger Tapped 5/16-18 for adjustment spindle. Has 1-1/4" travel. Handle moves 180°. Low weight ideal and for confined areas.**

Strong heat treated base secures your clamp. Increases clamp life and longer wear. Most popular size Push-Pull Latch Toggle. **Best Lower Cost Mid-Size Clamp!**

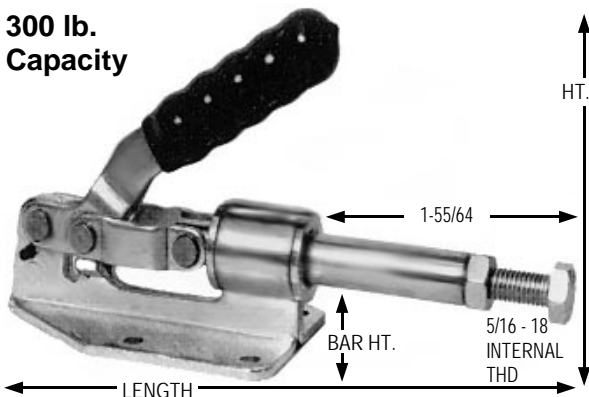


Select Adjustable Spindles  
UCC-441203 5/16 - 18 x 2"  
UCC-207203 5/16 - 18 x 2-1/2"

UNITED Part No.	Overall Height	Overall Length	Hole Pattern & Base	Bar Height	Plunger Travel	Weight	Holding Capacity	Holes 4	Cross Ref.
UCC-300605	3-5/16	5-7/16	1-3/8 x 1-5/8 FLANGE	31/32	1-1/4	10.6 oz. (300g)	300 lbs.	7/32	605 CL150 SPC GH302F

## UCC-300609 Push-Pull Straight Line Flange Toggles

300 lb.  
Capacity



Spindle not included. Accepts all 5/16-18 dia. spindles. Select Spindles UCC-441203 or UCC-207203, which are interchangeable with Clamp UCC-300605. Reduced potential for pinched fingers in forward position.

**UNITED's Plunger Tapped 5/16-18 for adjustment spindle. Has 1-1/4" travel. Handle moves 180°. Low weight and ideal for confined areas.**

UNITED Part No.	Overall Height	Overall Length	Hole Pattern & Base	Bar Height	Plunger Travel	Weight	Holding Capacity	Holes 4	Cross Ref.
UCC-300609	3-3/8	5-7/16	1-3/8 x 1-5/8 FLANGE	31/32	1-1/4	13.6 oz. (386g)	300 lbs.	7/32	609 NONE GH36092

L14

Get in Line for **UNITED** Quality Toggles!

# UniGrip Push-Pull Straight Line Toggles

**Push-Pull  
Straight Line**

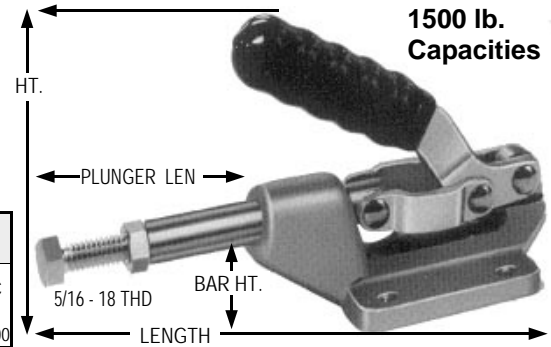
## Push-Pull Straight Line Action Flange Toggle Clamps UCC-300603

**UNITED's** Plunger Tapped 5/16-18 for spindle. Has 1-1/4" to 2-5/8" travel. Handles move 45°.

Low weight and small size for its huge holding capacity is ideal for confined areas. Handle locks in forward, extended and retracted positions.

Strong heat treated base secures your clamp. Increases clamp life and longer wear. Ergonomic slanted Handle Grip.

600 to  
1500 lb.  
Capacities



UNITED Part No.	Overall Height	Overall Length	Hole Pattern & Base	Bar Height	Plunger Travel	Weight	Holding Capacity	Holes 4	Spindle THD	Cross Ref.
UCC-300603	2-23/32	4-11/16	1-7/16 x 1-5/16 FLANGE	31/32	1-1/4 2-3/16 LONG	12.5 oz. (352g)	600 lbs.	7/32	5/16-18	603 CL100 PC GH36003 AA 80210 ADB 61300
UCC-300608	3-7/8	6-1/4	1-5/8 x 1-5/8 FLANGE	1-1/4	1-5/8 3-15/16 LONG	20.5 oz. (582g)	850 lbs.	5/16	3/8-16	608 CL200 PC GH304E
UCC-300608A	5-1/4	9-3/8	2 x 2-7/8 FLANGE	1-3/4	2-5/8 2-3/8 LONG	52.2 oz. (1482g)	1500 lbs.	1/2	1/2-13	NONE CL300 PC GH304H

## Push-Pull Straight Line Toggle Clamps UCC-300610—UCC-300618

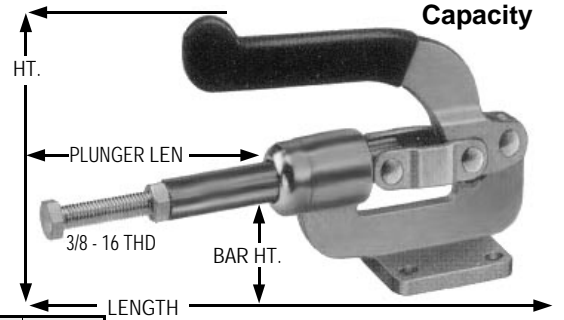
**UNITED's** Plunger Tapped 3/8 - 16. Plunger locks in Push or Pull positions. Has 1-5/8" travel. Handles move 180°.

Heavy Duty Construction. Ideal and for difficult areas.

Strong heat treated base secures your clamp. Increases clamp life and longer wear.

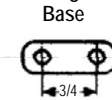
UCC-300618 has Straight Base.

800 lb.  
Capacity



UNITED Part No.	Overall Height	Overall Length	Hole Pattern & Base	Bar Height	Plunger Length	Plunger Travel	Weight	Holding Capacity	Holes 4	Spindle THD	Cross Ref.
UCC-300610	4-1/16	6-23/32	1-5/8 x 1-5/8 FLANGE	1-3/4	4.16	1-5/8	1lb. 12 oz. (795g)	800 lbs.	11/32	3/8-16	610 CL250SPC GH3610
UCC-300618	4-13/16	6-23/32	1-5/8 x 1-5/8 STRAIGHT	2-3/16	4.16	1-5/8	1lb. 12 oz. (795g)	800 lbs.	11/32	3/8-16	618 NONE GH3612

Straight Base



1-1/4

Flange Base



## Push-Pull Straight Line Flange Toggles UCC-300607—UCC-300630

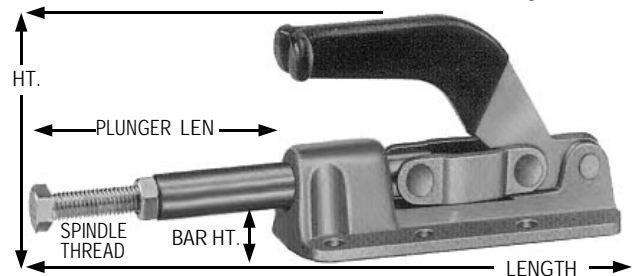
700 & 2500 lb. Capacities

**UNITED's** Plunger Tapped 5/16-18 for spindle. Has 1-5/8" to 2" travel.

Low Profile for its huge holding capacities is ideal for compact and confined areas. Unique Handle locks in extended and retracted positions.

Strong forged alloy heat treated bases secure your clamp. Increased clamp life and longer wear. Spindle Plungers are ground.

Designed for Heavy Service and Will Do the Job!

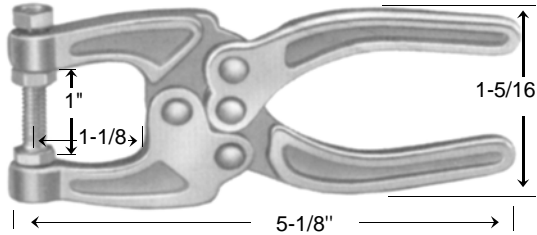


UNITED Part No.	Overall Height	Overall Length	Hole Pattern & Base	Bar Height	Plunger Travel	Weight	Holding Capacity	Holes 6	Spindle THD	Cross Ref.
UCC-300607	3-9/32	6-1/32	5/8 x 1-3/8 x 1-5/8 FLANGE	11/16	1-5/8	24.7 oz. (702g)	800 lbs.	9/32	5/16-18	607 NONE GH30607
UCC-300630	2-27/32	7-1/32	1/2 x 1-3/8 x 1-5/8 FLANGE	13/16	2"	33 oz. (938g)	2500 lbs.	11/32	3/8-16	630 CL350 SPC GH36330

**Squeeze Action  
Toggle Pliers**

**UniGrip Squeeze Action**  
COMFORTABLE OPERATOR HANDLE DESIGN

**“LITTLE BITE”**

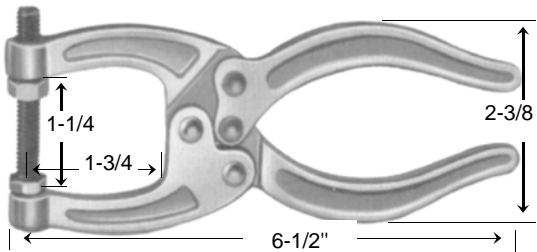


**UCC-300424**  
Smallest Squeeze Return Toggle

HOLDING CAPACITY: 200 LBS.  
WEIGHT: 6.5 OZ. Smallest alloy steel squeeze return clamp  
UCC-202201 44-20x1-1/4 HEX HEAD SPINDLE ASSEMBLY  
supplied  
1/4-20 Adjustable small Spindle

Refs: DE-STA-CO No. 424 CL-50PL GH50350

**“BETTER BITE”**

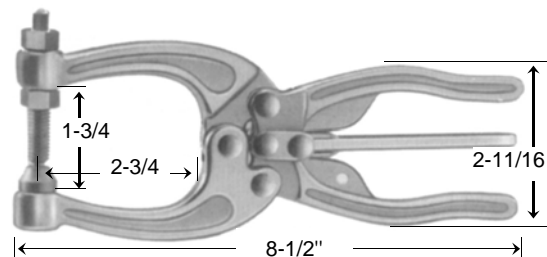


**UCC-300441**  
Forged Alloy Steel Toggle

HOLDING CAPACITY: 350 LBS.  
WEIGHT: 10 OZ.  
UCC-441203 3/8-16x3 HEX HEAD SPINDLE ASSEMBLY supplied  
Also available with *UNITED's* Two Adjustable Spindles 5/16-18 or  
5/16-24 Hex Head

Refs: DE-STA-CO No. 441 CL-150PL GH50360

**“BEST BITE”**

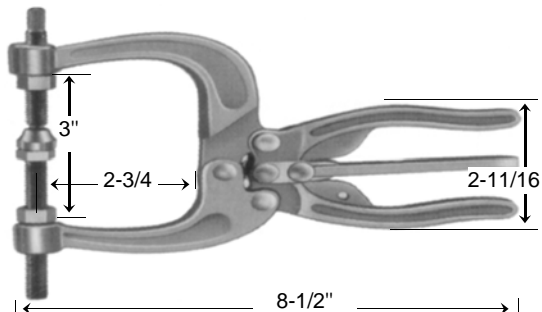


**UCC-300462**  
Release 2-Way Trigger Toggle

HOLDING CAPACITY: 700 LBS.  
WEIGHT: 23 OZ.  
UCC-468206 3/8-16x3 SWIVEL FOOT SPINDLE ASSY supplied

Refs: DE-STA-CO No. 462 CL-254PL GH50380

**“BIGGEST BITE”**



**UCC-300463**  
Release 2-Way Trigger Toggle

HOLDING CAPACITY: 700 LBS.  
WEIGHT: 26 OZ.  
UCC-218203 HEX HEAD SPINDLE ASSEMBLY and  
UCC-468206 SWIVEL FOOT SPINDLE ASSEMBLY supplied  
Both are 3/8-16 Spindles, one with Toggle and one with Hex Head

Refs: DE-STA-CO No. 463 CL-454PL GH50450