

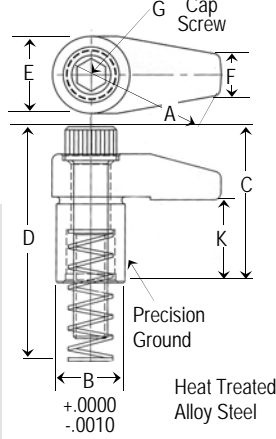
Long Arm Hook Clamps

Hook Clamps Long Arm-Plain & Tapped

HOOK CLAMPS



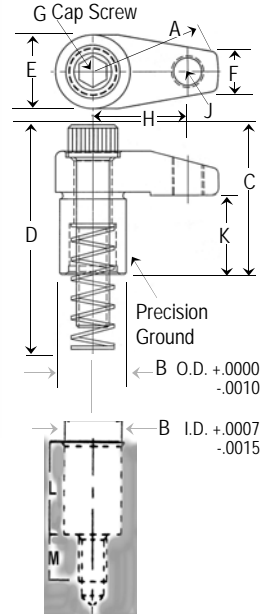
LONG ARM HOOK CLAMPS SOCKET HEAD



UNITED'S VERY VERSATILE HOOK CLAMPS

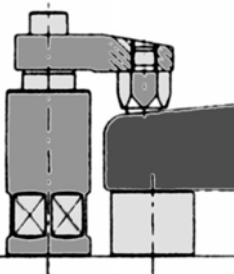


TAPPED LONG ARM HOOK CLAMPS SOCKET HEAD



UNITED HOOK CLAMPS ARE AVAILABLE WITH PLAIN OR TAPPED ARMS. The TAPPED ARM CLAMPS are slightly larger than the Plain Arm type and utilize many different threaded contact bolts and spindles. Shown below are other holders such as Riser Cylinders and Screw Pads.

The ideal Clamp for work where space is severely limited. 'A' dimension is precision for reamed hole mounting.



Hook is spring loaded for quick release and swing away from work piece.

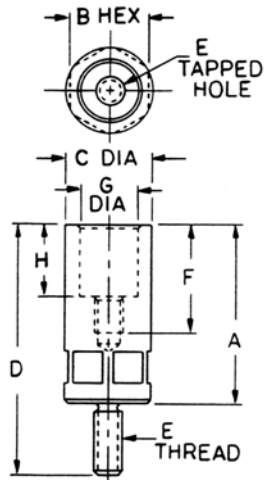
LONG ARM — SOCKET HEAD														
PART NO.	SIZE	THD DIA	A	B +.0000 -.0100	C	D	E	F	G	H	J	K	L	M
UDB-921176	SMALL	5/16-18	1"	.7500	1-7/16	2-5/16	7/8	3/8	5/16-18x2.00	—	—	29/32	15/16	15/16
UDB-921178	MEDIUM	1/2-13	2"	1.0000	2-1/2	3-1/2	1-1/4	11/16	1/2-13x3.00	—	—	1-17/32	1-9/16	1"
UDB-921180	LARGE	5/8-11	2"	1.2500	2-7/8	3-7/8	1-7/16	7/8	5/8-11x3.25	—	—	1-17/32	1-9/16	1"
TAPPED LONG ARM — SOCKET HEAD														
UDB-921182	SMALL	5/16-18	1-3/16	.7500	1-7/16	2-5/16	7/8	3/8	5/16-18x2.00	15/16	5/16-18	29/32	15/16	15/16
UDB-921184	MEDIUM	1/2-13	2-3/8	1.0000	2-1/2	3-1/2	1-1/4	11/16	1/2-13x3.00	1-13/16	1/2-13	1-17/32	1-9/16	1"
UDB-921186	LARGE	5/8-11	2-3/8	1.2500	2-7/8	3-7/8	1-7/16	7/8	5/8-11x3.25	1-13/16	5/8-11	1-17/32	1-9/16	1"

Black Oxide finish

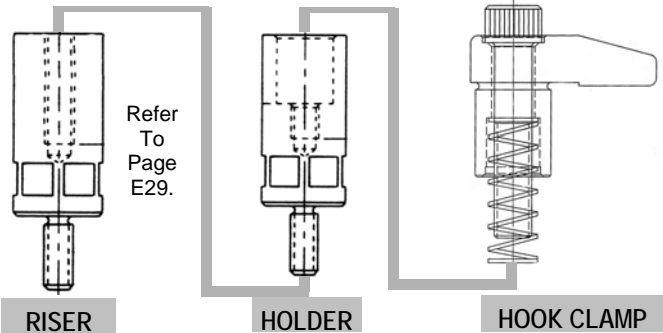
HOOK CLAMP HOLDERS



HOLDER



Hook Clamps are used with Support Cylinders, Holders and Screw Pads.



RISER

HOLDER

HOOK CLAMP

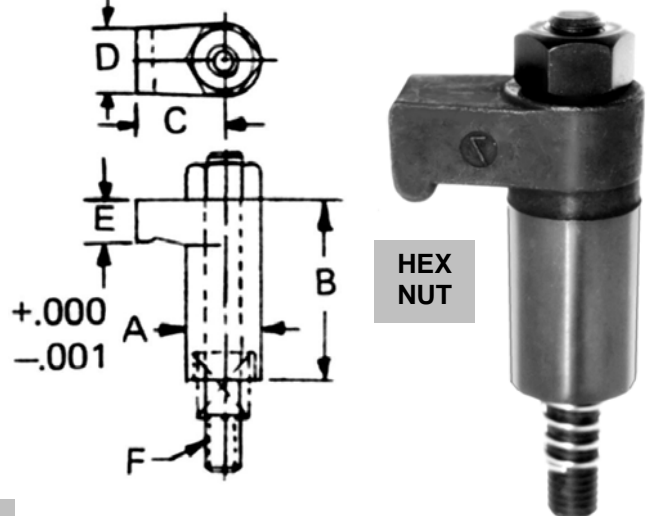
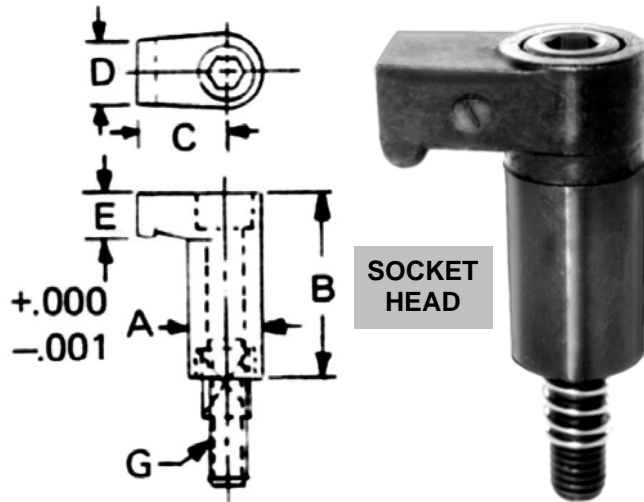
HOOK CLAMP HOLDERS									
PART NO.	SIZE	A	B HEX	C O.D.	D OAL	E THD	F THD DEEP	G +.0008 +.0015	H
UDB-921164	SMALL	2-1/4	7/8	1"	3"	5/16-18	2"	.7500	15/16
UDB-921166	MEDIUM	3-1/8	1-7/16	1-9/16	4-3/8	1/2-13	2-5/8	1.0000	1-9/16
UDB-921168	MEDIUM	4"	1-7/16	1-9/16	5-1/4	1/2-13	2-5/8	1.0000	1-9/16
UDB-921170	LARGE	3-1/8	1-3/4	2"	4-3/8	5/8-11	2-5/8	1.2500	1-9/16
UDB-921172	LARGE	4"	1-3/4	2"	5-1/4	5/8-11	2-5/8	1.2500	1-9/16

Easy Access Clamps

Hook and Swing Clamps

Hook is spring-loaded, releases quickly and swings away from work piece.

SOCKET HEAD AND HEX NUT HOOK CLAMPS



SOCKET HEAD CAP SCREW STYLE

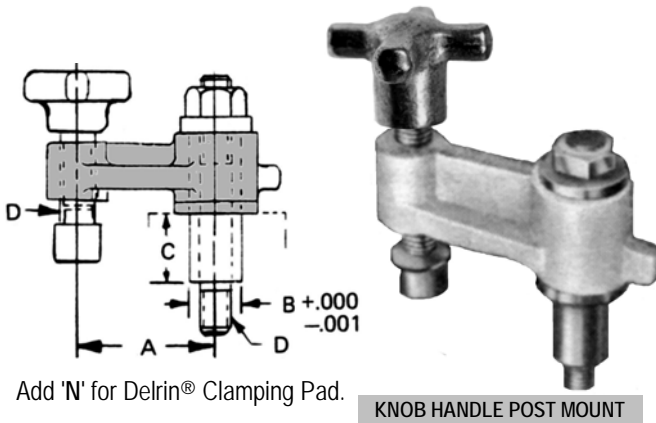
HEX NUT STYLE

SOCKET HD PART NO.	HEX NUT PART NO.	A +.000 -.001	B HT	C JAW LENGTH	D JAW WIDTH	E JAW THICKNESS	F STUD	G CAP SCREW
UDB-921107	UDB-921105	.625	1-3/8	11/16	7/16	1/2	5/16-18 x 2-1/2	5/16-18 x 1-3/4
UDB-921113	UDB-921110	.874	2-1/4	1"	9/16	19/32	1/2-13 x 4	3/8-16 x 3
UDB-921117	UDB-921115	.999	2-9/16	1-3/16	3/4	13/16	1/2-13 x 4-1/2	1/2-13 x 3-1/2
UDB-921122	UDB-921120	1.124	2-9/16	1-7/16	7/8	7/8	5/8-11 x 5	1/2-13 x 3-1/2

Heat Treated Alloy Steel

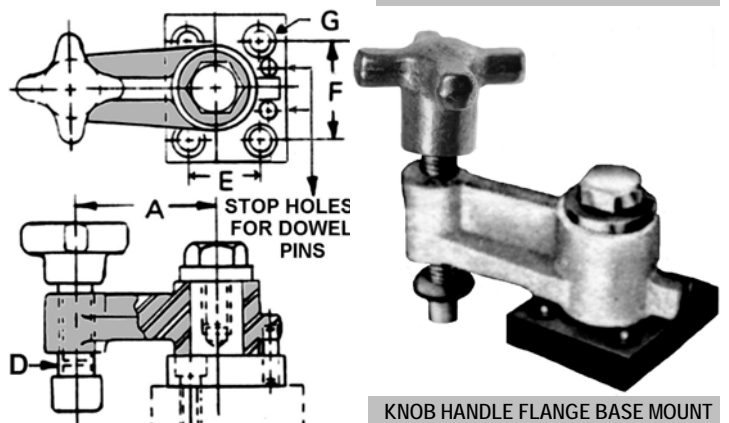
Black Oxide finish

POST MOUNT SWING



Add 'N' for Delrin® Clamping Pad.

FLANGE BASE SWING



SWING CLAMPS

Knob swings for quick clamp assemblies. Post Mount is ideal for limited spaces. Swings 360°. Dowel Pin mount holes are provided in Flange Base to establish stop holes. Swivel screw pads stop turning with pressure and prevent marring of work piece.

POST MOUNT PART NO.	FLANGE MOUNT PART NO.	A 360° SWING	B MOUNT POST	C POST LEN	D SPINDLE THD	E HOLE ALIGN	F HOLE ALIGN	G CAP SCREW
UDB-921200	UDB-921202	1-1/2	.561	5/8	5/16-18	3/4	1"	#10
UDB-921205	UDB-921211	2"	.874	1-1/8	1/2-13	1-1/8	1-3/8	1/4
UDB-921207	UDB-921213	2-1/2	.874	1-1/8	1/2-13	1-1/8	1-3/8	1/4
UDB-921219	UDB-921223	4"	1.124	1-3/8	5/8-11	1-1/4	1-1/2	3/8

SWIVEL STOPS ROTATION ON CONTACT.

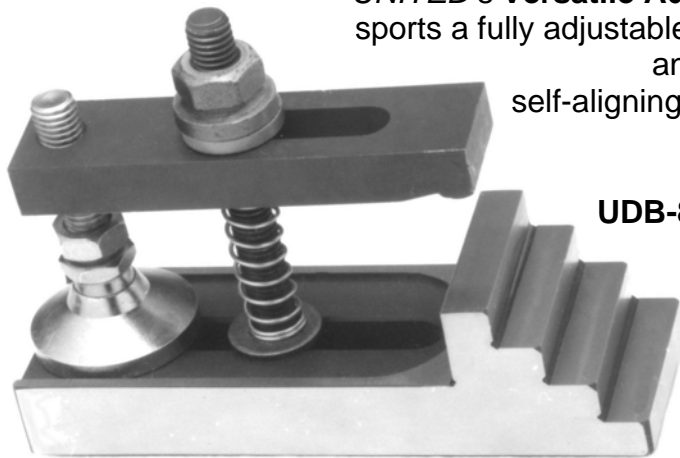
SWIVEL FOOT COMPENSATES FOR IRREGULAR SURFACES.

SWINGS 360° LEFT OR RIGHT.

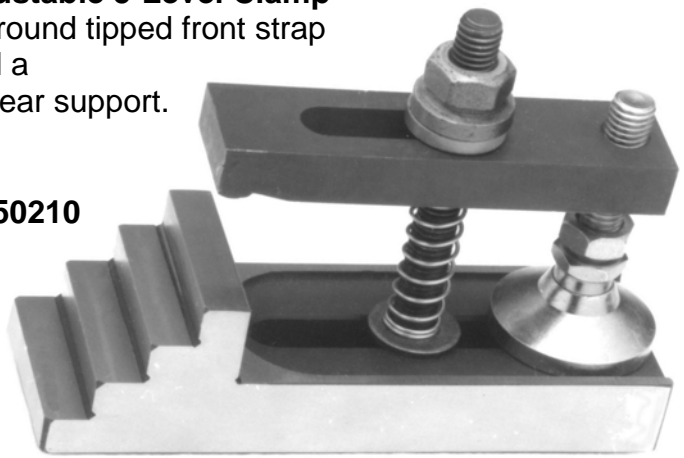
**Adjustable
Leveling Clamps**

Adjustable 5-Level Clamps
STAY-TOGETHER ADJUSTABLE SERIES

UNITED's Versatile Adjustable 5-Level Clamp sports a fully adjustable round tipped front strap and a self-aligning rear support.

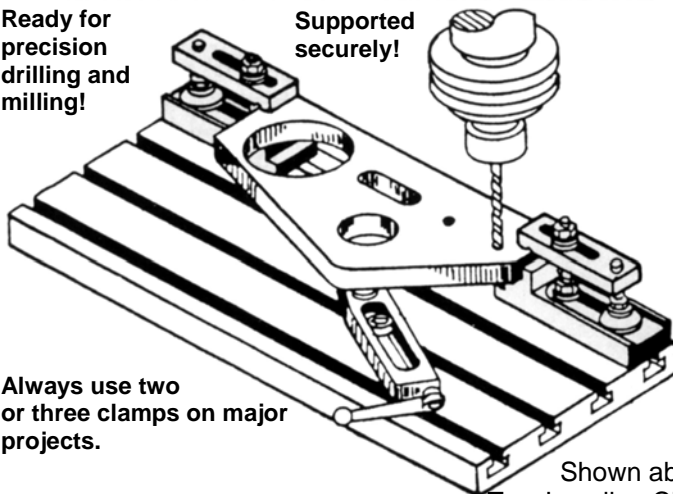


UDB-850210



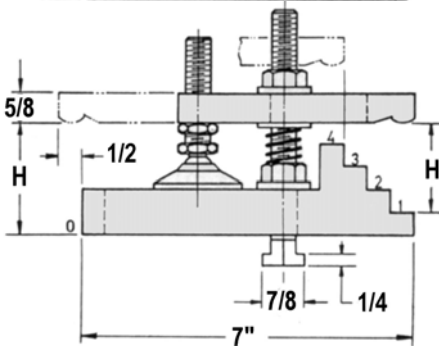
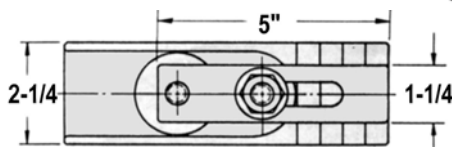
Ready for precision drilling and milling!

Supported securely!



Always use two or three clamps on major projects.

Shown above: Two Leveling Clamp Assemblies and one Low Profile Bedding Support Clamp (See page E28).



Order as
UDB-850210

LEVEL (THICKNESS)	0	1	2	3	4
HEIGHT ± .0005	0	.500	1.000	1.500	2.000
H MINIMUM	2"	1-9/16	1-1/16	9/16	0
H MAXIMUM	3"	2-1/2	2"	1-1/2	1"

FEATURES

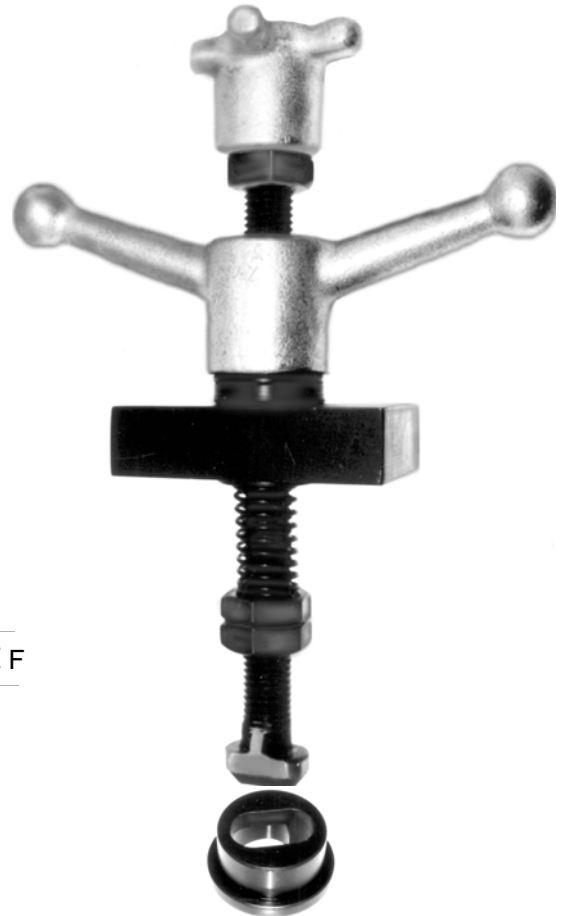
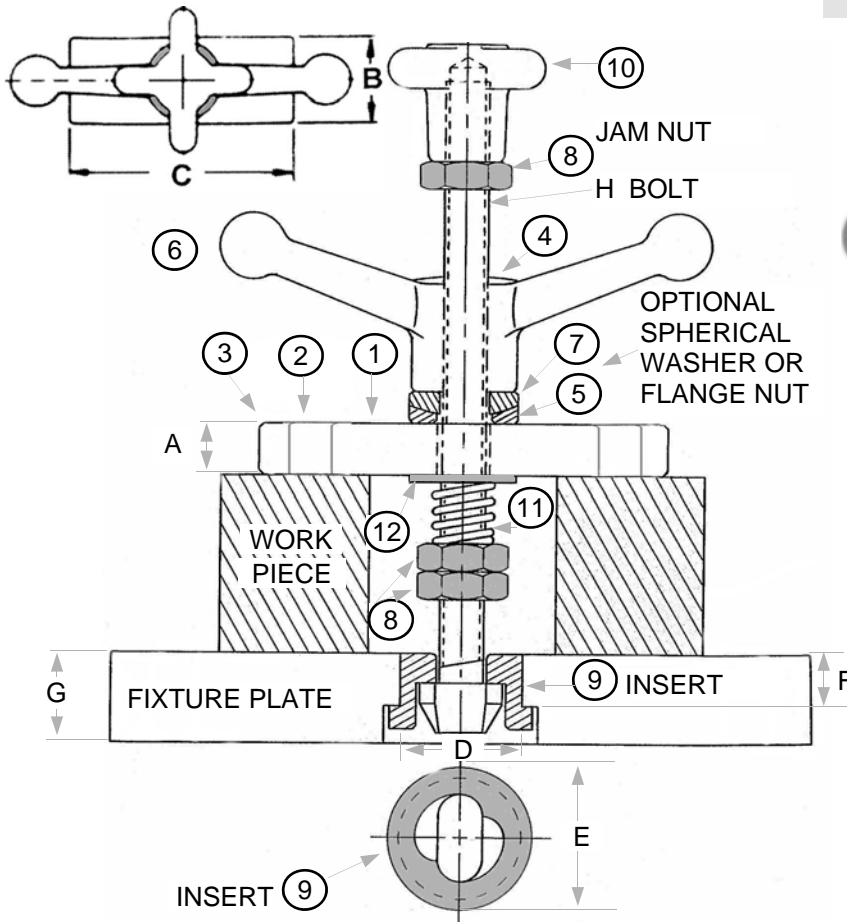
- 1 **Fast Set-Up.**
- 2 **Clamps on even work surfaces.**
- 3 **All Clamp parts stay together.**
- 4 **Position at 5 different levels.**
- 5 **Levels: 0, 1/2, 1", 1-1/2, and 2".**
- 6 **Multi-functional one-step clamping, leveling and locating.**
- 7 **Convenient and easy to use.**
- 8 **Tighten either the Flange Nut or the Rear Support.**
- 9 **Allows clamping of slightly uneven work pieces.**
- 10 **Strong enough for most applications yet soft enough to avoid cutter damage.**
- 11 **The T-Slot Bolt and Clamp Strap are heat treated and hardened.**
- 12 **The hardened Level Steps are ground to ± .0005 inch accuracy.**
- 13 **The Clamp unit is complete as shown. No additional parts needed.**

Removable Speed Clamp Assembly

Speed Clamp Assembly
Removable Type

SECURE, SPEEDY, EFFICIENT and PRACTICAL CLAMPING!

REMOVABLE CLAMP ASSEMBLIES



TO USE the ASSEMBLY:

- 1 Press the hardened steel insert into the fixture plate.
- 2 Place the bayonet T-Bolt thru the bushing and turn the knob one quarter turn to clamp lock the assembly.
- 3 Tighten the speed handle or flange nut to secure work piece in place.

UNITED's REMOVABLE SPEED CLAMP ASSEMBLY features:

- 1 A speed ball handle for faster more efficient and secure clamping adjustments.
- 2 Our spherical washers or flange nuts compensate for differences in work piece.
- 3 Quick release by the spring loaded clamp strap assembly.
- 4 All parts are black oxide finish except the cadmium plated cast iron hand knob and speed handle.
- 5 Add 'SFN' to Part No. for optional Spherical Flange Nut and Washer.

REPLACEMENT PARTS LIST

1	UDB-948800	4 INCH STRAP
2	UDB-948805	5-1/2 INCH STRAP
3	UDB-948810	7 INCH STRAP
4	UDB-942220	5/8-11 x 8 BOLT
5	UDB-926270	SPHERICAL WASHER
6	UDB-945375	SPEED HANDLE
7	UDB-925170	FLANGE NUT
8	UDB-925420	JAM NUT
9	UDB-949120	INSERT
10	UDB-945635	HAND KNOB
11	UDB-936025	SPRING
12	UDB-926650	WASHER

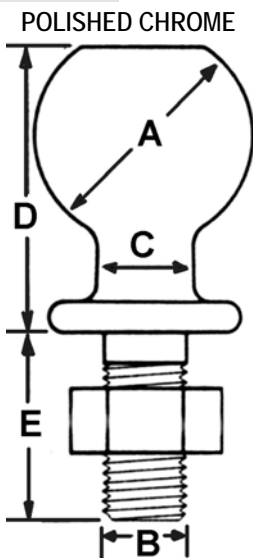
CLAMP ASSY PART NO.	A	B	C	D	E	F	G	*H	OPTIONAL FLANGE NUT
INCLUDES UDB-945375 6" SPEED HANDLE									
UDB-921050	3/4	1/2	4"	1.626	1-7/8	5/8	1"	5/8-11x8	UDB-925170
UDB-921052	3/4	1/2	5-1/2	1.626	1-7/8	5/8	1"	5/8-11x8	UDB-925170
UDB-921054	3/4	1/2	7"	1.626	1-7/8	5/8	1"	5/8-11x8	THREAD
INCLUDES UDB-945390 8" SPEED HANDLE									
UDB-921060	1"	2"	4"	1.876	2-1/4	13/16	1-1/8	3/4-10x10	UDB-925175
UDB-921064	1"	2"	7"	1.876	2-1/4	13/16	1-1/8	3/4-10x10	3/4-10 THD

* Other lengths available on quotation.

Hitch Balls & Adapter Tooling Ball Holders

Hitch Balls and Adapter Tooling Ball Holders

HITCH BALLS



Nut and Lock Washer included.

All dimensions shown are nominal.

Finished and Stocked in Polished Chrome.

Available in Zinc plated or Oil Finish as Specials.

USE the STRONGEST!

One piece construction
Cold formed Hitch Ball

Accurate threads provide secure and safe fastening.

WARRANTY

UNITED HITCH BALLS have been certified by AAMVA in compliance with Government regulations. Specifications are certified to meet or surpass the Standards set forth in Vehicle Safety Regulations as shown in the chart below.

If part should prove defective in materials or workmanship (except for plating) within one year, it may be returned for replacement at no charge. *UNITED* limits responsibility to replacement of part found defective.

HITCH BALL PART NO.	RATING	A	B	C	D	E
UDB-183401	CLASS 1 2,000 LBS.	1-7/8	3/4	29/32	2-5/8	1-1/2
UDB-183402	CLASS 2 3,500 LBS.	2	3/4	31/32	2-3/4	2
UDB-183403	CLASS 3 5,000 LBS.	2	1	1-1/8	2-3/4	2
UDB-183404	CLASS 4 6,000 LBS.	2-5/16	1	1-1/4	3-1/8	2
UDB-183405	CLASS 5 10,000 LBS.	2-5/16	1-1/4	1-1/4	3-1/8	2-1/4

ADAPTER TOOLING BALL HOLDERS



UNITED Adapter Tooling Ball Holders were designed for easy handling of tooling balls.

The Tooling Ball Holder is adjusted to the exact position required and then held securely in place without marring the shank of the tooling ball.