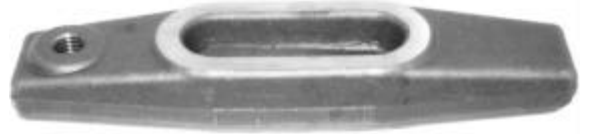


Clamps and Clamping Assemblies

Clamps and Assemblies



GOOSE NECK CLAMP STRAPS Pg G4



STRAIGHT PLAIN CLAMP STRAPS Pg G2



GOOSE NECK RADIUS CLAMP STRAPS Pg G5



STRAIGHT LOCATOR CLAMP STRAPS Pg G3



SLOTTED HEEL RADIUS NOSE Pg G24



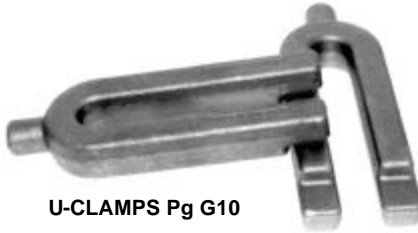
SLOTTED HEEL STEEL PADDED Pg G18



MINI WIDE-NOSE TAPPED HEEL Pg G27



TAPERED NOSE TAPPED HEEL Pg G28



U-CLAMPS Pg G10



ADJ. SADDLE CLAMPS Pg G10



SS MINI TAPPED HEEL Pg G25



REVERSIBLE CAM ACTION ASSEMBLIES Pg G11



DOUBLE END HAND KNOB CENTER CLAMPS Pg G14



SINGLE END CENTER CAM SLOTTED HEEL CLAMPS Pg G16



CLAMP RESTS Pg G12



CLAMP SPRINGS Pg G12



SET-UP WEDGES Pg G10



FINGER CLAMPS Pg G10



CLAMP REST PLATES Pg G12

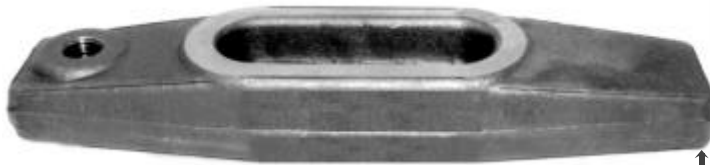


DOUBLE CAMS Pg G12

Forged Steel Clamp Straps

Forged Steel Clamp Straps-Tapped Heel

STRAIGHT PLAIN CLAMP STRAPS



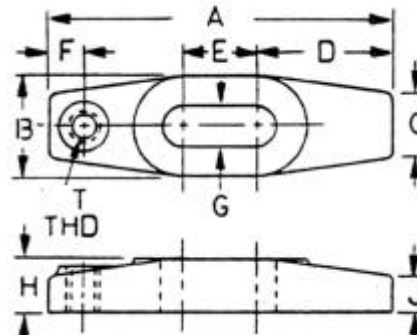
FORGED STEEL 1045 FOR
HEAVY DUTY APPLICATIONS

STRONG — DURABLE
Black Oxide

Also available with or without
tapped hole for customizing to
fit your assemblies.

For general machine
purposes

STRAIGHT PLAIN NOSE



Long
Wearing

Durable

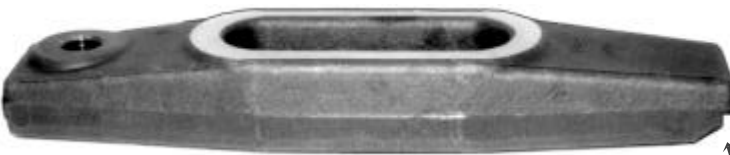
Heavy Duty

Strong

Economical

| T NO TAP PART NO. | T TAPPED PART NO. | STUD SIZE | A | B | C | D | E | F | G | H | J | T THD TAP |
|----------------------|----------------------|--------------|-----|-------|--------|---------|-------|-------|-------|-------|-------|--------------|
| UDB-948779 | UDB-948781 | 5/8-11 | 4" | 1-5/8 | 1-3/16 | 1-21/32 | 11/16 | 7/16 | 11/16 | 3/4 | 1/2 | 5/8-11 |
| UDB-948783 | UDB-948785 | 5/8-11 | 6" | 1-3/4 | 1-1/4 | 2-5/16 | 1-3/8 | 9/16 | 11/16 | 7/8 | 9/16 | 5/8-11 |
| UDB-948787 | UDB-948789 | 3/4-10 | 8" | 2-1/8 | 1-1/2 | 3" | 2" | 11/16 | 13/16 | 1-1/8 | 3/4 | 5/8-11 |
| UDB-948791 | UDB-948793 | 7/8-9 | 10" | 2-1/2 | 1-3/4 | 3-5/8 | 2-3/4 | 13/16 | 15/16 | 1-3/8 | 15/16 | 5/8-11 |

STRAIGHT LOCATOR CLAMP STRAPS



FORGED STEEL 1045 FOR
HEAVY DUTY APPLICATIONS

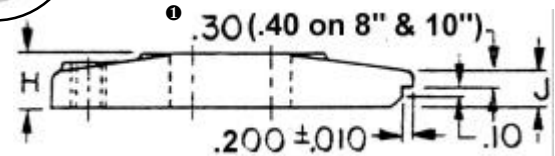
STRONG — DURABLE
Black Oxide

Also available with or without
tapped hole for customizing to
fit your assemblies.

STRAIGHT LOCATOR NOSE

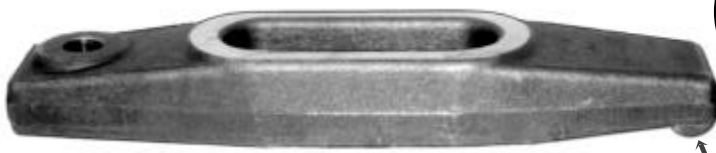


Designed to hold precision
machined surfaces.



| T NO TAP PART NO. | T TAPPED PART NO. | STUD SIZE | A | B | C | D | E | F | G | H | J | T THD TAP |
|----------------------|----------------------|--------------|-----|-------|--------|---------|-------|-------|-------|-------|-------|--------------|
| UDB-948794 | UDB-948796 | 5/8-11 | 4" | 1-5/8 | 1-3/16 | 1-21/32 | 11/16 | 7/16 | 11/16 | 3/4 | 1/2 | 5/8-11 |
| UDB-948798 | UDB-948800 | 5/8-11 | 6" | 1-3/4 | 1-1/4 | 2-5/16 | 1-3/8 | 9/16 | 11/16 | 7/8 | 9/16 | 5/8-11 |
| ① UDB-948802 | UDB-948804 | 3/4-10 | 8" | 2-1/8 | 1-1/2 | 3" | 2" | 11/16 | 13/16 | 1-1/8 | 3/4 | 5/8-11 |
| ① UDB-948806 | UDB-948808 | 7/8-9 | 10" | 2-1/2 | 1-3/4 | 3-5/8 | 2-3/4 | 13/16 | 15/16 | 1-3/8 | 15/16 | 5/8-11 |

STRAIGHT RADIUS CLAMP STRAPS



FORGED STEEL 1045 FOR
HEAVY DUTY APPLICATIONS

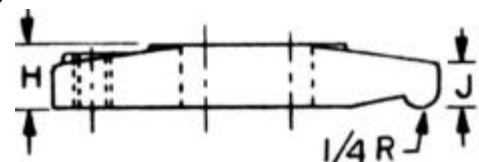
STRONG — DURABLE
Black Oxide

Also available with or without
tapped hole for customizing to
fit your assemblies.

STRAIGHT RADIUS NOSE



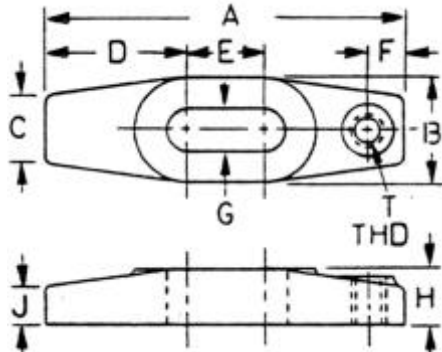
Ideal to hold irregular surfaces.



| T NO TAP PART NO. | T TAPPED PART NO. | STUD SIZE | A | B | C | D | E | F | G | H | J | T THD TAP |
|----------------------|----------------------|--------------|-----|-------|--------|---------|-------|-------|-------|-------|-------|--------------|
| UDB-948814 | UDB-948816 | 5/8-11 | 4" | 1-5/8 | 1-3/16 | 1-21/32 | 11/16 | 7/16 | 11/16 | 3/4 | 1/2 | 5/8-11 |
| UDB-948818 | UDB-948820 | 5/8-11 | 6" | 1-3/4 | 1-1/4 | 2-5/16 | 1-3/8 | 9/16 | 11/16 | 7/8 | 9/16 | 5/8-11 |
| UDB-948822 | UDB-948824 | 3/4-10 | 8" | 2-1/8 | 1-1/2 | 3" | 2" | 11/16 | 13/16 | 1-1/8 | 3/4 | 5/8-11 |
| UDB-948826 | UDB-948828 | 7/8-9 | 10" | 2-1/2 | 1-3/4 | 3-5/8 | 2-3/4 | 13/16 | 15/16 | 1-3/8 | 15/16 | 5/8-11 |

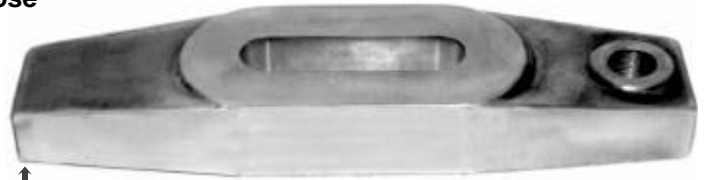
Aluminum Clamp Straps

Long Wearing Strong Heavy Duty Economical
Without marring machine surfaces



STRAIGHT PLAIN TAPPED HEEL CLAMP STRAPS

For general purpose critical work



STRAIGHT PLAIN NOSE

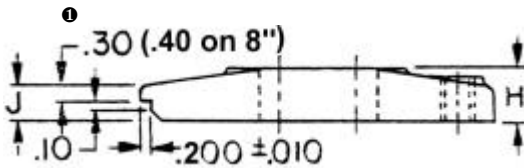
ALUMINUM FOR HEAVY DUTY APPLICATIONS

STRONG — DURABLE

Also available with or without tapped hole for customizing to fit your assemblies.

| T NO TAP PART NO. | T TAPPED PART NO. | STUD SIZE | A | B | C | D | E | F | G | H | J | T THD TAP |
|-------------------|-------------------|-----------|----|-------|--------|---------|-------|-------|-------|-------|------|-----------|
| UDB-948748 | UDB-948746 | 1/2-13 | 4" | 1-5/8 | 1-3/16 | 1-21/32 | 11/16 | 7/16 | 9/16 | 3/4 | 1/2 | 1/2-13 |
| UDB-948752 | UDB-948750 | 1/2-13 | 6" | 1-3/4 | 1-1/4 | 2-5/16 | 1-3/8 | 9/16 | 9/16 | 7/8 | 9/16 | 1/2-13 |
| UDB-948756 | UDB-948754 | 5/8-11 | 8" | 2-1/8 | 1-1/2 | 3" | 2" | 11/16 | 11/16 | 1-1/8 | 3/4 | 5/8-11 |

Locator step ideal for critical machined surfaces



STRAIGHT LOCATOR CLAMP STRAPS



STRAIGHT LOCATOR NOSE

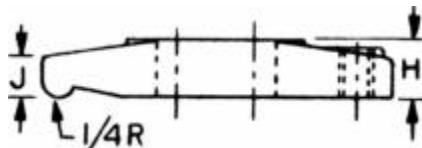
ALUMINUM FOR HEAVY DUTY APPLICATIONS

STRONG — DURABLE

Also available with or without tapped hole for customizing to fit your assemblies.

| T NO TAP PART NO. | T TAPPED PART NO. | STUD SIZE | A | B | C | D | E | F | G | H | J | T THD TAP |
|-------------------|-------------------|-----------|----|-------|--------|---------|-------|-------|-------|-------|------|-----------|
| UDB-948732 | UDB-948730 | 1/2-13 | 4" | 1-5/8 | 1-3/16 | 1-21/32 | 11/16 | 7/16 | 9/16 | 3/4 | 1/2 | 1/2-13 |
| UDB-948736 | UDB-948734 | 1/2-13 | 6" | 1-3/4 | 1-1/4 | 2-5/16 | 1-3/8 | 9/16 | 9/16 | 7/8 | 9/16 | 1/2-13 |
| UDB-948740 | UDB-948738 | 5/8-11 | 8" | 2-1/8 | 1-1/2 | 3" | 2" | 11/16 | 11/16 | 1-1/8 | 3/4 | 5/8-11 |

Perfect for irregular or angled machine surfaces



STRAIGHT RADIUS CLAMP STRAPS



STRAIGHT RADIUS NOSE

ALUMINUM FOR HEAVY DUTY APPLICATIONS

STRONG — DURABLE

Also available with or without tapped hole for customizing to fit your assemblies.

| T NO TAP PART NO. | T TAPPED PART NO. | STUD SIZE | A | B | C | D | E | F | G | H | J | T THD TAP |
|-------------------|-------------------|-----------|----|-------|--------|---------|-------|-------|-------|-------|------|-----------|
| UDB-948749 | UDB-948747 | 1/2-13 | 4" | 1-5/8 | 1-3/16 | 1-21/32 | 11/16 | 7/16 | 9/16 | 3/4 | 1/2 | 1/2-13 |
| UDB-948753 | UDB-948751 | 1/2-13 | 6" | 1-3/4 | 1-1/4 | 2-5/16 | 1-3/8 | 9/16 | 9/16 | 7/8 | 9/16 | 1/2-13 |
| UDB-948757 | UDB-948755 | 5/8-11 | 8" | 2-1/8 | 1-1/2 | 3" | 2" | 11/16 | 11/16 | 1-1/8 | 3/4 | 5/8-11 |

Forged Steel Goose Neck Clamp Straps

Forged Steel Goose Neck Clamp Straps

GOOSE NECK PLAIN CLAMP STRAPS

OVER 70,000 PSI YIELD STRENGTH

Long Wearing

Economical

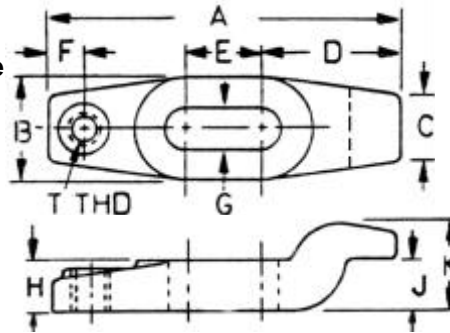
Heavy Duty

Strong

Durable



Adaptable to your custom machine purposes



Available with or without tapped hole. If no tapped hole, customize to your set up thread application.

GOOSE NECK PLAIN NOSE

| T NO TAP PART NO. | T TAPPED PART NO. | STUD SIZE | A | B | C | D | E | F | G | H | J | K | T THD TAP |
|-------------------|-------------------|-----------|----|-------|--------|--------|-------|-----|-------|-------|-------|--------|-----------|
| UDB-948850 | UDB-948852 | 5/8-11 | 4" | 1-5/8 | 1-3/16 | 1-7/8 | 1/4 | 1/2 | 11/16 | 3/4 | 13/16 | 1-7/16 | 5/8-11 |
| UDB-948854 | UDB-948856 | 5/8-11 | 6" | 1-3/4 | 1-1/4 | 2-1/2 | 1" | 5/8 | 11/16 | 7/8 | 15/16 | 1-9/16 | 5/8-11 |
| UDB-948858 | UDB-948860 | 3/4-10 | 8" | 2-1/8 | 1-1/2 | 3-3/16 | 1-5/8 | 1" | 13/16 | 1-1/8 | 1-1/8 | 2-1/16 | 5/8-11 |

FORGED STEEL 1045 FOR HEAVY DUTY APPLICATIONS

STRONG
Black Oxide

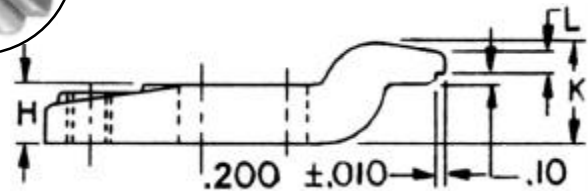
GOOSE NECK LOCATOR CLAMP STRAPS

Designed to hold precision machined surfaces.



Available with or without tapped hole. Can be customized to fit your set up assemblies.

GOOSE NECK LOCATOR NOSE



| T NO TAP PART NO. | T TAPPED PART NO. | STUD SIZE | A | B | C | D | E | F | G | H | J | K | L | T THD TAP |
|-------------------|-------------------|-----------|----|-------|--------|--------|-------|-----|-------|-------|-------|--------|-----|-----------|
| UDB-948834 | UDB-948836 | 5/8-11 | 4" | 1-5/8 | 1-3/16 | 1-7/8 | 1/4 | 1/2 | 11/16 | 3/4 | 13/16 | 1-7/16 | .15 | 5/8-11 |
| UDB-948838 | UDB-948840 | 5/8-11 | 6" | 1-3/4 | 1-1/4 | 2-1/2 | 1" | 5/8 | 11/16 | 7/8 | 15/16 | 1-9/16 | .25 | 5/8-11 |
| UDB-948842 | UDB-948844 | 3/4-10 | 8" | 2-1/8 | 1-1/2 | 3-3/16 | 1-5/8 | 1" | 13/16 | 1-1/8 | 1-1/8 | 2-1/16 | .35 | 5/8-11 |

FORGED STEEL 1045 FOR HEAVY DUTY APPLICATIONS

DURABLE Black Oxide

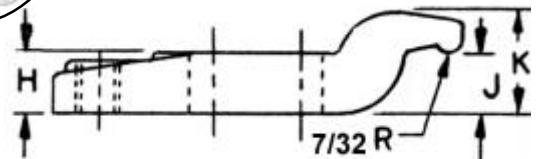
GOOSE NECK RADIUS CLAMP STRAPS

Ideal to hold irregular and angular surfaces.



Available with or without tapped hole to customize to your application.

GOOSE NECK RADIUS NOSE



| T NO TAP PART NO. | T TAPPED PART NO. | STUD SIZE | A | B | C | D | E | F | G | H | J | K | T THD TAP |
|-------------------|-------------------|-----------|----|-------|--------|--------|-------|-----|-------|-------|-------|--------|-----------|
| UDB-948849 | UDB-948851 | 5/8-11 | 4" | 1-5/8 | 1-3/16 | 1-7/8 | 1/4 | 1/2 | 11/16 | 3/4 | 13/16 | 1-7/16 | 5/8-11 |
| UDB-948853 | UDB-948855 | 5/8-11 | 6" | 1-3/4 | 1-1/4 | 2-1/2 | 1" | 5/8 | 11/16 | 7/8 | 15/16 | 1-9/16 | 5/8-11 |
| UDB-948857 | UDB-948859 | 3/4-10 | 8" | 2-1/8 | 1-1/2 | 3-3/16 | 1-5/8 | 1" | 13/16 | 1-1/8 | 1-1/8 | 2-1/16 | 5/8-11 |

FORGED STEEL 1045 FOR HEAVY DUTY APPLICATIONS

LONG WEAR
Black Oxide