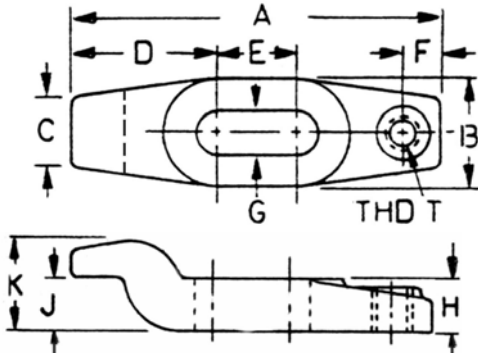


Aluminum Goose Neck Clamp Straps

Aluminum Goose
Neck Clamp Straps



GOOSE NECK PLAIN TAPPED HEEL CLAMP STRAPS

For general
purpose and
critical work

Long Wearing
Economical



GOOSE NECK PLAIN NOSE

ALUMINUM
FOR HEAVY DUTY APPLICATIONS

STRONG — DURABLE

T NO TAP PART NO.	T TAPPED PART NO.	STUD SIZE	A	B	C	D	E	F	G	H	J	K	T THD TAP
UDB-948780	UDB-948778	1/2-13	4"	1-5/8	1-3/16	1-7/8	1/4	1/2	9/16	3/4	13/16	1-7/16	1/2-13
UDB-948784	UDB-948782	1/2-13	6"	1-3/4	1-1/4	2-1/2	1"	5/8	9/16	7/8	15/16	1-9/16	1/2-13
UDB-948788	UDB-948786	5/8-11	8"	2-1/8	1-1/2	3-3/16	1-5/8	1"	11/16	1-1/8	1-1/8	2-1/16	5/8-11

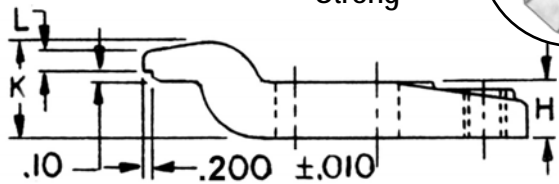
No marring of machine surfaces

Also available with or without
tapped hole for customizing to fit
your assemblies.

Locator step ideal for critical
machined surfaces

GOOSE NECK LOCATOR CLAMP STRAPS

Strong



GOOSE NECK LOCATOR NOSE

ALUMINUM
FOR HEAVY DUTY
APPLICATIONS

STRONG — DURABLE

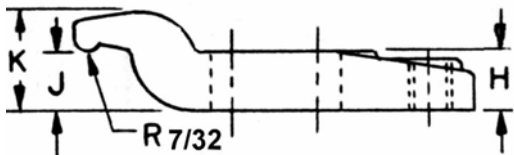
T NO TAP PART NO.	T TAPPED PART NO.	STUD SIZE	A	B	C	D	E	F	G	H	J	K	L	T THD TAP
UDB-948764	UDB-948762	1/2-13	4"	1-5/8	1-3/16	1-7/8	1/4	1/2	9/16	3/4	13/16	1-7/16	.25	1/2-13
UDB-948768	UDB-948766	1/2-13	6"	1-3/4	1-1/4	2-1/2	1"	5/8	9/16	7/8	15/16	1-9/16	.30	1/2-13
UDB-948772	UDB-948770	5/8-11	8"	2-1/8	1-1/2	3-3/16	1-5/8	1"	11/16	1-1/8	1-1/8	2-1/16	.40	5/8-11

Also available with or without
tapped hole for customizing to fit
your assemblies.

Perfect for irregular or
angled machine surfaces

GOOSE NECK RADIUS CLAMP STRAPS

Heavy Duty



GOOSE NECK RADIUS NOSE

ALUMINUM
FOR HEAVY DUTY APPLICATIONS

STRONG — DURABLE

T NO TAP PART NO.	T TAPPED PART NO.	STUD SIZE	A	B	C	D	E	F	G	H	J	K	T THD TAP
UDB-948761	UDB-948763	1/2-13	4"	1-5/8	1-3/16	1-7/8	1/4	1/2	9/16	3/4	13/16	1-7/16	1/2-13
UDB-948765	UDB-948767	1/2-13	6"	1-3/4	1-1/4	2-1/2	1"	5/8	9/16	7/8	15/16	1-9/16	1/2-13
UDB-948769	UDB-948771	5/8-11	8"	2-1/8	1-1/2	3-3/16	1-5/8	1"	11/16	1-1/8	1-1/8	2-1/16	5/8-11

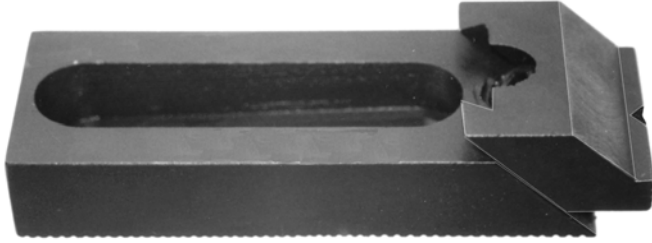
Also available with or without
tapped hole for customizing to fit
your assemblies.

Serrated Low - Medium Nose Toe Clamps

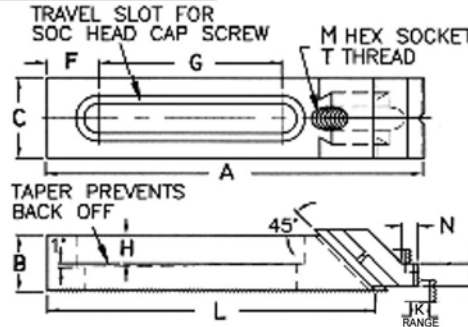
Serrated Low/Medium Nose Adjustable Toe Clamps

SERRATED ADJUSTABLE LOW NOSE TOE EDGE CLAMPS

Toe Clamps provide extra machining clearance.



SERRATED ADJUSTABLE LOW NOSE TOE EDGE CLAMPS are powerful. They grip on the side of the work piece. The top surface is left open. Interference is minimized for cutting or measuring. Ideal for modular tooling, mills, planes, jig bores, boring



Toe Clamp Aluminum Covers are available for Low and Medium Nose styles to prevent damage to work.

BODY and NOSE: 1018 STEEL CARBURIZED WITH BLACK OXIDE.
CLAMPING SCREW: 4140 STEEL, BLACK OXIDE. NOSE COVER : ALUMINUM.

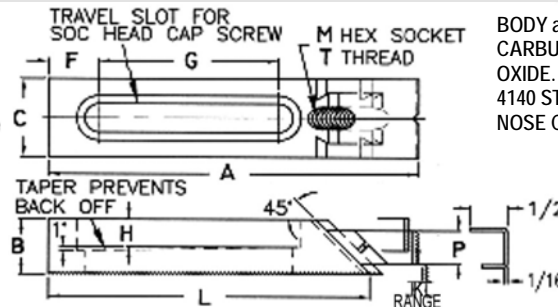
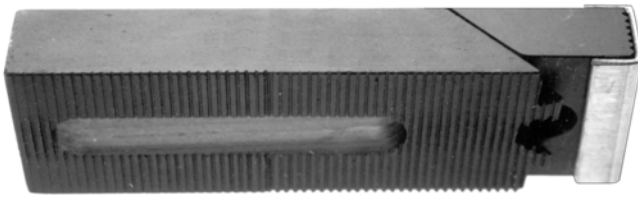
SERRATED ADJUSTABLE LOW NOSE TOE EDGE STRAP CLAMPS

Replacement Parts

LOW NOSE PART NO.	MOUNTING SCREW SIZE	A LEN	B HT.	C WIDE	F CTR TO END	G TRAVEL	H SLOT DEPTH	K WORK RANGE	L LEN STD BASE	M HEX SSS	N NOSE PROTRU-SION	P TOE HT.	ADJUSTING SCREW	LOW NOSE TOE ONLY	MOUNTING SCREW	ALUMINUM NOSE TOE COVER
UCC-833910	5/16-18 or M8	2	5/8	1	3/8	1/4	9/32	±1/4	1-1/2	5/32	1/8	1/8	UCC-833910A	UCC-833910T	UCC-SHCS-5/16-18x1-1/8	UCC-833910C
UCC-833912	5/16-18 or M8	3	5/8	1	3/8	1-1/4	9/32	±1/4	2-1/2	5/32	1/8	1/8	UCC-833914A	UCC-833914T	UCC-SHCS-3/8-16x1-1/8	UCC-833914C
UCC-833914	3/8-16 or M10	3	5/8	1-1/4	1/2	13/16	3/8	±1/4	2-3/8	3/16	1/4	1/4				
UCC-833916	3/8-16 or M10	4-1/4	5/8	1-1/4	1/2	1-7/16	3/8	±1/4	3-5/8	3/16	1/4	1/4				
UCC-833918	3/8-16 or M10	5	5/8	1-1/4	1	2-1/8	3/8	±1/4	4-3/8	3/16	1/4	1/4	UCC-833920A	UCC-833920T	UCC-SHCS-1/2-13x1.50	UCC-833920C
UCC-833920	1/2-13 or M12	4	7/8	1-1/2	1/2	1-1/4	1/2	±5/16	3-3/16	1/4	1/4	1/4				
UCC-833922	1/2-13 or M12	5-1/2	7/8	1-1/2	7/8	2-1/8	1/2	±5/16	4-11/16	1/4	1/4	1/4	UCC-833926A	UCC-833926T	UCC-SHCS-5/8-11x2.00	UCC-833926C
UCC-833924	1/2-13 or M12	7-1/8	7/8	1-1/2	1-9/16	3	1/2	±5/16	6-5/16	1/4	1/4	1/4				
UCC-833926	5/8-11 or M16	5-1/2	1-1/4	1-3/4	27/32	1-3/8	5/8	±5/16	4-1/2	5/16	5/16	3/8	UCC-833930A	UCC-833930T	UCC-SHCS-3/4-10x2.00	UCC-833930C
UCC-833928	5/8-11 or M16	8-1/4	1-1/4	1-3/4	1-1/4	4	5/8	±5/16	7-1/4	5/16	5/16	3/8				
UCC-833930	3/4-10 or M20	5-1/2	1-1/4	1-3/4	27/32	1-3/8	3/4	±5/16	4-1/2	5/16	5/16	3/8	UCC-833932A	UCC-833932T	UCC-SHCS-3/4-10x2.00	UCC-833932C
UCC-833932	3/4-10 or M20	8-1/4	1-1/4	1-3/4	1-1/4	4	3/4	±5/16	7-1/4	5/16	5/16	3/8				

SERRATED ADJUSTABLE STANDARD MEDIUM NOSE TOE EDGE CLAMPS

BOTTOM VIEW SHOWING SERRATIONS



BODY and NOSE: 1018 STEEL CARBURIZED WITH BLACK OXIDE. CLAMPING SCREW: 4140 STEEL, BLACK OXIDE. NOSE COVER : ALUMINUM.

ALUMINUM TOE CLAMP COVERS PREVENT DAMAGE.

SERRATED ADJUSTABLE STANDARD MEDIUM NOSE TOE EDGE CLAMPS provide strong clamping. Tighten the socket set screw and this adjustable clamp grips forward and down simultaneously thru its 45° angle. The 'V' groove in the nose secures round pieces and corners. Serrations prevent sliding from away from work piece.

SERRATED ADJUSTABLE STANDARD NOSE TOE EDGE STRAP CLAMPS

Replacement Parts

STANDARD MEDIUM NOSE PART NO.	MOUNTING SCREW SIZE	A LEN	B HT.	C WIDE	F CTR TO END	G TRAVEL	H SLOT DEPTH	K WORK RANGE	L LEN STD BASE	M HEX SSS	P TOE HT.	ADJUSTING SCREW	MEDIUM NOSE TOE ONLY	MOUNTING SCREW	ALUMINUM NOSE TOE COVER
UCC-833940	5/16-18 or M8	2	5/8	1	3/8	1/4	9/32	±1/4	1-1/2	5/32	7/16	UCC-833940A	UCC-833940T	UCC-SHCS-5/16-18x1-1/8	UCC-833940C
UCC-833942	5/16-18 or M8	3	5/8	1	3/8	1-1/4	9/32	±1/4	2-1/2	5/32	7/16	UCC-833944A	UCC-833944T	UCC-SHCS-3/8-16x1-1/8	UCC-833944C
UCC-833944	3/8-16 or M10	3	5/8	1-1/4	1/2	13/16	3/8	±1/4	2-3/8	3/16	7/16				
UCC-833946	3/8-16 or M10	4-1/4	5/8	1-1/4	1/2	1-7/16	3/8	±1/4	3-5/8	3/16	7/16				
UCC-833948	3/8-16 or M10	5	5/8	1-1/4	1	2-1/8	3/8	±1/4	4-3/8	3/16	7/16	UCC-833950A	UCC-833950T	UCC-SHCS-1/2-13x1.50	UCC-833950C
UCC-833950	1/2-13 or M12	4	7/8	1-1/2	1/2	1-1/4	1/2	±5/16	3-3/16	1/4	5/8				
UCC-833952	1/2-13 or M12	5-1/2	7/8	1-1/2	7/8	2-1/8	1/2	±5/16	4-11/16	1/4	5/8	UCC-833956A	UCC-833956T	UCC-SHCS-5/8-11x2.00	UCC-833956C
UCC-833954	1/2-13 or M12	7-1/8	7/8	1-1/2	1-9/16	3	1/2	±5/16	6-5/16	1/4	5/8				
UCC-833956	5/8-11 or M16	5-1/2	1-1/4	1-3/4	27/32	1-3/8	5/8	±5/16	4-1/2	5/16	3/4	UCC-833960A	UCC-833960T	UCC-SHCS-3/4-10x2.00	UCC-833960C
UCC-833958	5/8-11 or M16	8-1/4	1-1/4	1-3/4	1-1/4	4	5/8	±5/16	7-1/4	5/16	3/4				
UCC-833960	3/4-10 or M20	5-1/2	1-1/4	1-3/4	27/32	1-3/8	3/4	±5/16	4-1/2	5/16	3/4	UCC-833962A	UCC-833962T	UCC-SHCS-3/4-10x2.00	UCC-833962C
UCC-833962	3/4-10 or M20	8-1/4	1-1/4	1-3/4	1-1/4	4	3/4	±5/16	7-1/4	5/16	3/4				

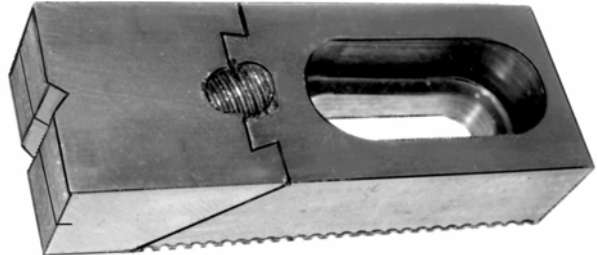
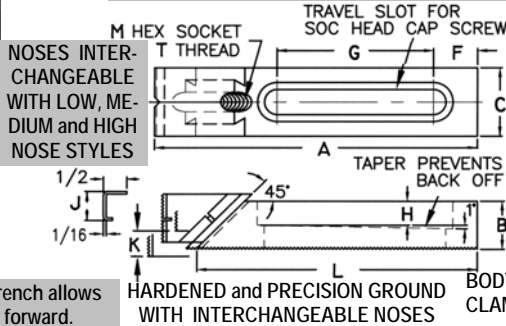
Serrated High and Step Nose Adjustable Toe Clamps

Serrated High – Step Nose Toe Clamps

Toe Clamp Aluminum Covers are available for High and Step Nose styles.



SERRATED ADJUSTABLE HIGH NOSE BIG TOE EDGE CLAMPS



Tightening with a Hex Wrench allows clamping both down and forward.

BODY and NOSE: 1018 STEEL CARBURIZED WITH BLACK OXIDE. CLAMPING SCREW: 4140 STEEL, BLACK OXIDE. NOSE COVER: ALUMINUM.

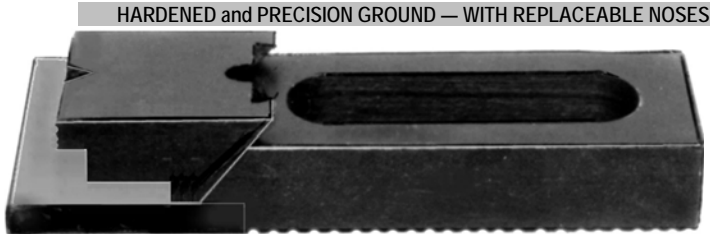
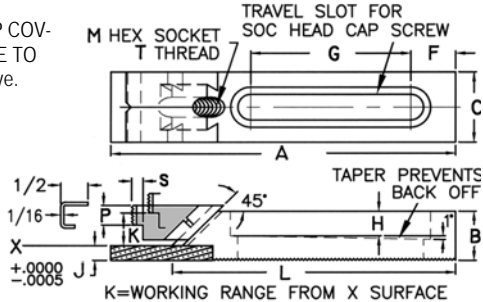
SERRATED ADJUSTABLE HIGH BIG NOSE TOE EDGE CLAMPS handles most workholding jobs with its large grip on the work piece. Maximum clamp rigidity while close to machining plane. Use a hex wrench for clamping down and forward at the same time. Aluminum toe clamp covers protect soft or machine parts. The 'V' groove in the nose secures curved pieces and corners while serrations prevent sliding.

SERRATED ADJUSTABLE HIGH NOSE TOE EDGE STRAP CLAMPS												Replacement Parts			
HIGH NOSE PART NO.	MOUNTING SCREW SIZE	A LEN	B HT.	C WIDE	F CTR TO END	G TRAVEL	H SLOT DEPTH	J COVER HT.	K WORK RANGE	L LEN STD BASE	M HEX SSS	ADJUSTING SCREW	HIGH NOSE TOE ONLY	MOUNTING SCREW	ALUMINUM NOSE TOE COVER
UCC-833970	5/16-18 or M8	2	5/8	1	13/32	1/4	5/16	15/32	±1/4	1.50	5/32	UCC-833970A	UCC-833970T	UCC-SSS-5/16-18x1-1/8	UCC-833970C
UCC-833972	5/16-18 or M8	3	5/8	1	5/16	1-1/4	5/16	15/32	±1/4	2.50	5/32				
UCC-833974	3/8-16 or M10	3-1/4	5/8	1-1/4	1/2	13/16	3/8	15/32	±1/4	2.30	3/16	UCC-833974A	UCC-833974T	UCC-SSS-3/8-16x1-1/8	UCC-833974C
UCC-833976	3/8-16 or M10	4-3/8	5/8	1-1/4	3/4	1-5/16	3/8	15/32	±1/4	3.43	3/16				
UCC-833978	3/8-16 or M10	5-1/4	5/8	1-1/4	1	2-1/8	3/8	15/32	±1/4	4.30	3/16				
UCC-833980	1/2-13 or M12	4-1/8	7/8	1-1/2	1/2	1-3/16	1/2	21/32	±5/16	3.05	1/4	UCC-833980A	UCC-833980T	UCC-SSS-1/2-13x1.50	UCC-833980C
UCC-833982	1/2-13 or M12	5-1/2	7/8	1-1/2	7/8	2-1/8	9/16	21/32	±5/16	4.55	1/4				
UCC-833984	1/2-13 or M12	7-1/8	7/8	1-1/2	1-9/16	3	9/16	21/32	±5/16	6.43	1/4				
UCC-833986	5/8-11 or M16	5-1/2	1-1/4	1-3/4	27/32	1-3/8	5/8	3/4	±5/16	4.33	5/16	UCC-833986A	UCC-833986T	UCC-SSS-5/8-11x2.00	UCC-833986C
UCC-833988	5/8-11 or M16	8-1/4	1-1/4	1-3/4	1-1/4	4	5/8	3/4	±5/16	7.20	5/16				
UCC-833990	3/4-10 or M20	5-1/2	1-1/4	1-3/4	27/32	1-3/8	3/4	3/4	±5/16	4.33	5/16	UCC-833990A	UCC-833990T	UCC-SSS-3/4-10x2.00	UCC-833990C
UCC-833992	3/4-10 or M20	8-1/4	1-1/4	1-3/4	1-1/4	4	3/4	3/4	±5/16	7.20	5/16				

SERRATED ADJUSTABLE PRECISION STEP NOSE TOE EDGE CLAMPS

ALUMINUM TOE CLAMP COVERS PREVENT DAMAGE TO WORK PIECE. See above.

Ideal for use with T-Slots, Insert plates, Tapped Holes, Uni-Fixtures and in mold and casting applications.



BODY and NOSE: 1018 STEEL CARBURIZED WITH BLACK OXIDE. CLAMPING SCREW: 4140 STEEL, BLACK OXIDE. NOSE COVER: ALUMINUM.

SERRATED ADJUSTABLE PRECISION STEP NOSE TOE EDGE CLAMPS mount vertically or horizontally while elevating the work piece for drilling, milling and tapping. The ground step is ideal for repeated positioning. The adjustable nose provides positive holding force against the ground base preventing movement when tightening. Perfect for difficult hold set-ups.

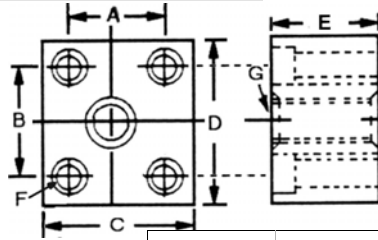
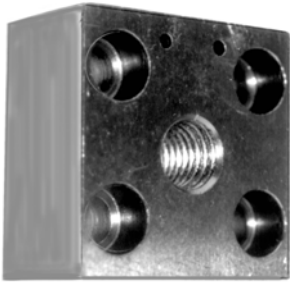
SERRATED ADJUSTABLE STEP NOSE TOE EDGE STRAP CLAMPS													Replacement Parts					
STEP NOSE PART NO.	MOUNTING SCREW SIZE	A LEN	B HT.	C WIDE	F CTR TO END	G TRAVEL	H SLOT DEPTH	J PLATE HT.	K WORK RANGE	L LEN STD	M HEX SSS	P TOE HT.	S TOE EXTEND	ADJUSTING SCREW	STEP NOSE TOE ONLY	PRECISION STEP BASE PLATE	MOUNTING SCREW	ALUMINUM NOSE TOE
UCC-833700	5/16-18 or M8	2	5/8	1	13/32	1/4	5/16	3/16	3/8	2	5/32	5/16	1/4	UCC-833700A	UCC-833700T	UCC-833700B	UCC-SSS-5/16-18x1-	UCC-833700C
UCC-833702	5/16-18 or M8	3	5/8	1	5/16	1-1/4	5/16	3/16	3/8	3	5/32	5/16	1/4					
UCC-833704	3/8-16 or M10	3-1/4	5/8	1-1/4	1/2	13/16	3/8	3/16	3/8	3-1/4	3/16	5/16	1/4	UCC-833704A	UCC-833704T	UCC-833704B	UCC-SSS-3/8-16x1-1/8	UCC-833704C
UCC-833706	3/8-16 or M10	4-3/8	5/8	1-1/4	3/4	1-5/16	3/8	3/16	3/8	4-3/8	3/16	5/16	1/4					
UCC-833708	3/8-16 or M10	5-1/4	5/8	1-1/4	1	2-1/8	3/8	3/16	3/8	5-1/4	3/16	5/16	1/4					
UCC-833710	1/2-13 or M12	4-1/8	7/8	1-1/2	1/2	1-3/16	1/2	1/4	1/2	4-1/8	1/4	3/8	1/4	UCC-833710A	UCC-833710T	UCC-833710B	UCC-SSS-1/2-13x1.50	UCC-833710C
UCC-833712	1/2-13 or M12	5-1/2	7/8	1-1/2	7/8	2-1/8	9/16	1/4	1/2	5-1/2	1/4	3/8	1/4					
UCC-833714	1/2-13 or M12	7-1/8	7/8	1-1/2	1-9/16	3	9/16	1/4	1/2	7/8	1/4	3/8	1/4					
UCC-833716	5/8-11 or M16	5-1/2	1-1/4	1-3/4	27/32	1-3/8	5/8	3/8	5/8	5-1/2	5/16	1/2	3/8	UCC-833716A	UCC-833716T	UCC-833716B	UCC-SSS-5/8-11x2.00	UCC-833716C
UCC-833718	5/8-11 or M16	8-1/4	1-1/4	1-3/4	1-1/4	4	5/8	3/8	5/8	8-1/4	5/16	1/2	3/8					
UCC-833720	3/4-10 or M20	5-1/2	1-1/4	1-3/4	27/32	1-3/8	3/4	3/8	5/8	5-1/2	5/16	1/2	3/8	UCC-833720A	UCC-833720T	UCC-833720B	UCC-SSS-3/4-10x2.00	UCC-833720C
UCC-833722	3/4-10 or M20	8-1/4	1-1/4	1-3/4	1-1/4	4	3/4	3/8	5/8	8-1/4	5/16	1/2	3/8					

Clamp Pads

Rest, Jig, Revolving and Base Clamp Pads

REVOLVING ADJUSTABLE BASE PAD

Hardened and Ground



Designed to allow clamps to swivel and for load and unload while machining.

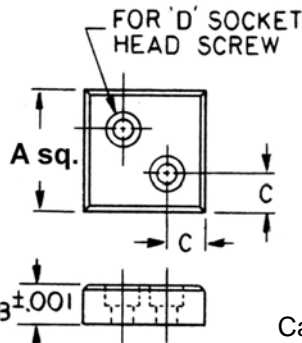
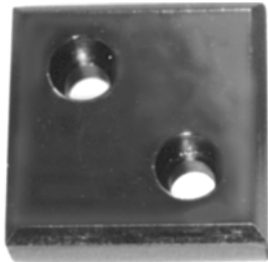
Ideal Base for Swing Clamps.

Precision Ground — 1018 Steel
Heat Treated — Black Oxide Finish

STOP PIN SUPPLIED

BASE PAD PART NO.	A TOP BOLT SPACING	B BOTTOM BOLT SPAC.	C WIDTH	D LENGTH	E HT.	F SHOULDER BOLT SIZE	G CENTER THD
UDB-935110	7/8	1"	1-7/16	1-1/2	1"	3/16	3/8-16
UDB-935111	1-1/4	1-1/2	2-1/4	2-1/4	1-1/4	3/8	5/8-11

JIG LEG PLATE PAD



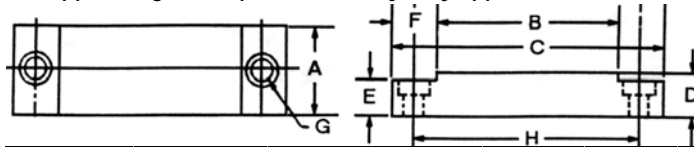
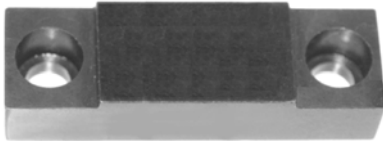
Large solid contact Pad. Precision ground. Serves as Rest Pad or Jig Foot. This double pad handles heavy loads. Tapped for socket head screws.

PART NO.	A SQUARE	B HT.	C LOCATION	D SOCKET HD SCREW
UDB-546565	1"	.3125	5/16	#10-32 or M5
UDB-546567	1-1/4	.3750	3/8	1/4-20 or M6
UDB-546569	1-1/2	.4375	7/16	1/4-20 or M6

Carburized and Hardened 1018 Steel — Black Oxide

REST PADS

Rest Pads support large work pieces in heavy duty applications where rest buttons are inadequate.



REST PAD PART NO.	A WIDTH	B LEN TO 'F'	C OAL LENGTH	D +.0005 - .0000	E THICK	F RELIEF	G SOCKET HD CAP SCREW	H BETWEEN CENTERS
UDB-935901	1"	1"	2"	.475	3/8	1/2	#10	1-1/2
UDB-935902	1-1/2	1-1/2	2-1/2	.600	1/2	1/2	1/4	2"
UDB-935903	1"	2	3-1/2	.720	5/8	3/4	5/16	2-3/4
UDB-935904	1"	3	4-1/2	.720	5/8	3/4	5/16	3-3/4
UDB-935905	1"	4	5-1/2	.720	5/8	3/4	5/16	4-3/4

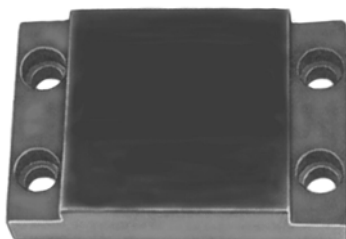
Precision Ground — C-1018 Steel
Heat Treated — Black Oxide Finish

AVAILABLE IN METRIC

HEAVY DUTY REST PADS

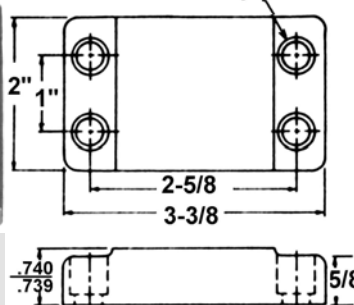
REST PADS REPLACE REST BUTTONS. Rest Pads support large work pieces in heavy duty applications where rest buttons are inadequate. UNITED Rest Pads are ready to

HEAVY DUTY

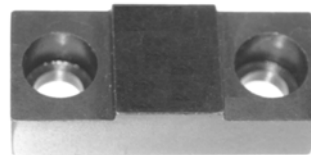


LARGE PAD
UDB-546560

3/8 Socket Head Cap Screw

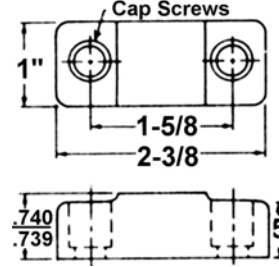


Pads are Precision Ground
1018 Steel
Heat Treated — Black Oxide Finish



SMALL PAD
UDB-546550

3/8 Socket Head Cap Screws



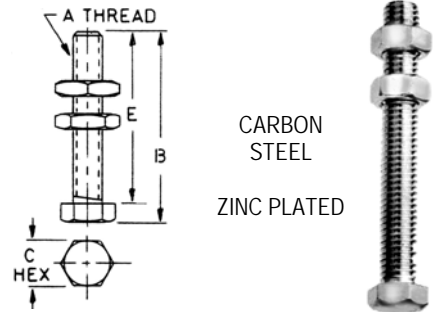
Strap Clamp Rests and Support Spindles



TOUGH DURABLE MULTI-PURPOSE SPINDLE HAS BOLT FULLY THREADED FOR MAXIMUM ADJUSTMENT.

UNITED ADJUSTABLE SPINDLES	SIZE	A THD	B OAL	C HEX	E LENGTH UNDER
UCC-700050	SMALL	5/16-18	2-11/16	1/2	2-1/2
UCC-700052	MEDIUM	3/8-16	3-1/4	9/16	3
UCC-700054	STANDARD	1/2-13	3-5/16	3/4	3
UCC-700056	HEAVY	5/8-11	4-3/8	15/16	4

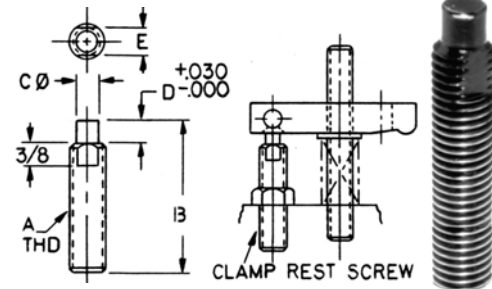
ADJUSTABLE SPINDLES



DESIGNED FOR DRILL, SPOT, HEEL, SWIVEL HEEL, REAR SUPPORT AND TAPPED HEEL CLAMPS.

PART NO.	A	B	C	D	E
UDB-932261	3/8-16	2"	.250	.313	1/4
UDB-932262		2-1/2"			
UDB-932263	1/2-13	3"	.344	.313	3/8
UDB-932264		2"			
UDB-932265		2-1/2"			
UDB-932266		3"			

CARBURIZED AND HARDENED 12L14 STEEL
BLACK OXIDE FINISH



CLAMP REST SCREWS

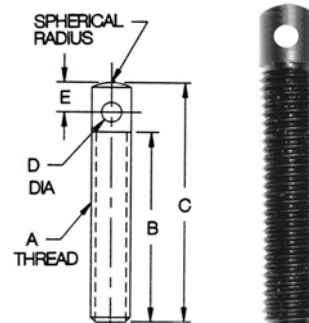
UNITED	A THD	B	C	D DIA	E
UDB-930670	#10-32	1/2	3/4	3/32	1/8
UDB-930672		3/4	1"		
UDB-930674	1/4 - 20	1-1/4	1-1/2	1/8	3/16
UDB-930676		11/16	1"		
UDB-930678		1-3/16	1-1/2		
UDB-930680	5/16-18	1-7/16	1-3/4	5/32	3/16
UDB-930682		7/8	1-1/4		
UDB-930684	3/8 - 16	1-1/8	1-1/2	3/16	3/16
UDB-930686		1-5/8	2"		
UDB-930688	3/8 - 16	1-1/8	1-1/2	3/16	3/16
UDB-930690		1-3/8	1-3/4		
UDB-930692		2-3/8	2-3/4		

CLAMP SCREWS — REAR SUPPORT

REAR SUPPORT CLAMP SCREWS HAVE SPHERICAL HEAD.

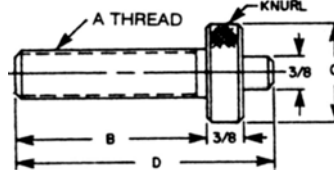
DRILL HOLE ALLOWS TURNING WITH A PIN.

USE UP OR DOWN
12L14 STEEL
HEAT TREATED
BLACK OXIDE FINISH.



UNITED	A THD	B	C	D
UDB-930500	3/8 - 16	1-1/4	1-1/8	1-7/8
UDB-930510		1-5/8		2-1/4
UDB-930515	1/2 - 13	2"	1-1/8	2-5/8
UDB-930520		1-1/4		1-7/8
UDB-930525		1-5/8		2-1/4
UDB-930530	5/8 - 11	2"	1-3/8	2-5/8
UDB-930535		2-1/2		3-1/8
UDB-930540	5/8 - 11	1-5/8	1-3/8	2-1/4
UDB-930545		2"		2-5/8
UDB-930550		2-1/2		3-1/8

JACK SCREWS SUPPORT WORK PIECES WITH IRREGULAR SHAPES.
HELP ELIMINATE MACHINING DISTORTION.



JACK SCREWS

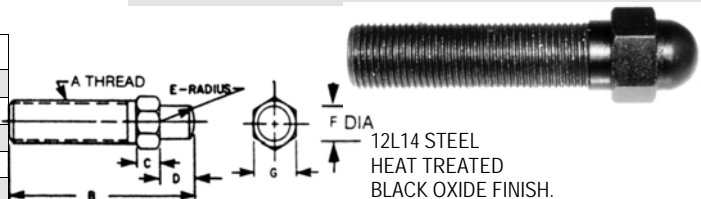
12L14 STEEL
HEAT TREATED
BLACK OXIDE FINISH.



ADJUSTABLE LOCATING SCREWS POSITION WORK PIECE ACCURATELY IN FIXTURE.

UNITED	A THD	B	C - E - D	F	G
UDB-930575	#10-32	1"	1/8	3/16	1/4
UDB-930580	1/4 - 28	1-1/2	3/16	1/4	3/8
UDB-930585	3/8 - 24	2"	1/4	3/8	1/2
UDB-930590	1/2 - 20	2-1/2	5/16	1/2	5/8
UDB-930595	5/8 - 18	3"	3/8	5/8	3/4

ADJUSTABLE LOCATING SCREWS

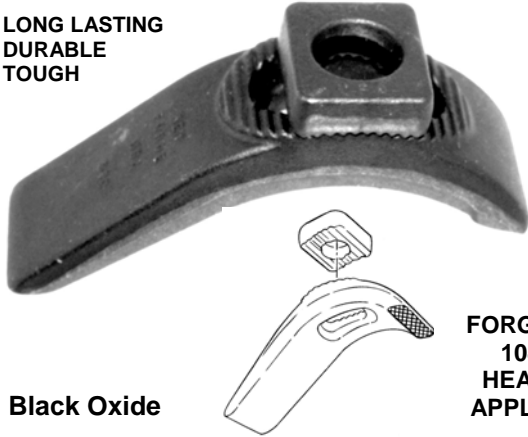


**Wedges
Finger & U-Clamps**

Set Up and Work Hold Wedges and Clamps

UNIVERSAL ADJUSTABLE SADDLE CLAMPS

LONG LASTING
DURABLE
TOUGH



**FORGED STEEL
1045 FOR
HEAVY DUTY
APPLICATIONS**

Black Oxide

Long Wear for work on
machine tools with
slotted tables. Use with
T-Slot Bolts or Studs.

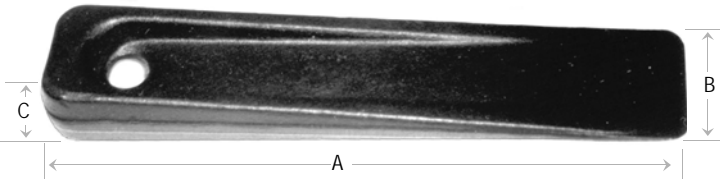
ASSEMBLY SADDLE & CLAMP	INDIVIDUAL PART NO.	LENGTH	WIDTH	ADJUSTMENT	MAX T-SLOT BOLT SIZE	WT. LBS.
UDB-837900	UDB-837901 CLAMP	5-1/16	1-5/8	2-1/4	5/8	1.3
	UDB-837902 SADDLE	1-5/16	1-1/2	2-1/4	5/8	0.3
UDB-837905	UDB-837906 CLAMP	8"	2-1/8	4"	3/4	3.1
	UDB-837907 SADDLE	1-1/2	1-3/4	4"	3/4	0.47
UDB-837910	UDB-837911 CLAMP	12"	2-3/4	6-1/4	1"	9.8
	UDB-837912 SADDLE	2-1/8	2-1/2	11"	1"	1.2

SET-UP WEDGES

FORGED STEEL 1045

Black Oxide

The Wedge is the extra assurance
tool used in most all set-ups.
The Set-Up Person's Tool!

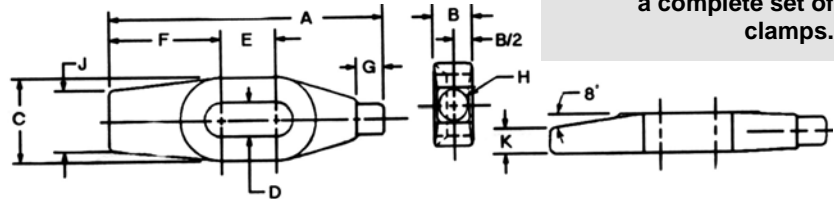
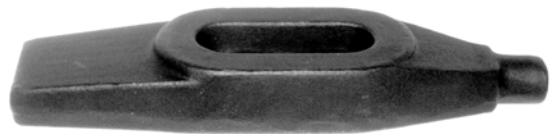


These forged Work Holders will outlast the machines they are used on!

WEDGE PART NO.	A LENGTH	B WIDTH	C THICK END	WT. LBS.
UDB-837950	3.00	1"	1/4	0.13
UDB-837951	5.00	1"	1/2	0.31
UDB-837952	6.00	1-1/4	3/4	0.63

FINGER CLAMPS

Equip each machine with
a complete set of
clamps.



FORGED STEEL 1045 FOR
HEAVY DUTY APPLICATIONS

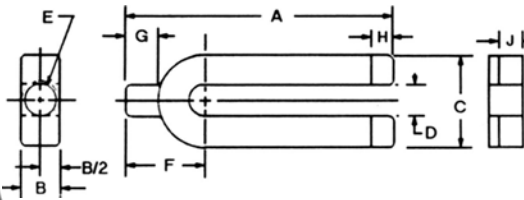
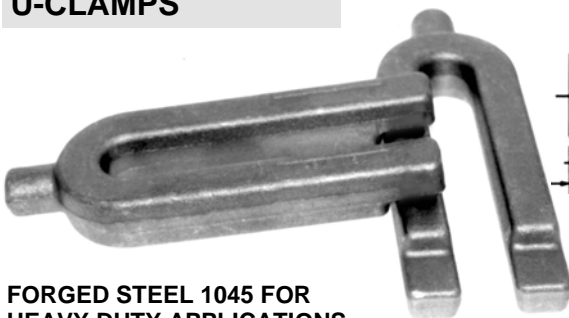
STRONG — DURABLE

Black Oxide

FINGER PART NO.	A LEN	B THICK	C WIDE	D SLOT	E TRAVEL	F FRONT	G FINGER	H DIA	J FRONT WIDTH	K THICK	WT. LBS.
UDB-837221	4"	3/4	1-5/8	11/16	11/16	1-21/32	1/2	1/2	1-3/16	7/16	.75
UDB-837223	6"	7/8	1-3/4	11/16	1-1/4	2-3/8	5/8	5/8	1-1/4	1/2	1.50
UDB-837225	8"	1-1/8	2-1/8	13/16	1-3/4	3-1/8	3/4	3/4	1-1/2	5/8	3.00

U-CLAMPS

Clamp Tips are stepped
to provide repetitive
clamping.
The open U makes
easier set-ups and
removals.



FORGED STEEL 1045 FOR
HEAVY DUTY APPLICATIONS

STRONG — DURABLE

Black Oxide

U-CLAMP PART NO.	A	B	C	D	E	F	G	H	J	WT. LBS.
UDB-837231	4"	3/4	1-3/4	11/16	9/16	1-7/16	9/16	1/2	1/2	1.00
UDB-837232	6"	7/8	2"	11/16	11/16	1-11/16	11/16	5/8	9/16	2.00
UDB-837233	8"	1-1/8	2-3/8	13/16	13/16	2"	13/16	3/4	11/16	4.00
UDB-837234	10"	1-1/4	2-3/4	15/16	15/16	2-5/16	15/16	7/8	3/4	6.50
UDB-837235	12"	1-3/8	3-1/4	1-1/16	1-1/16	2-11/16	1-1/16	1"	13/16	9.00