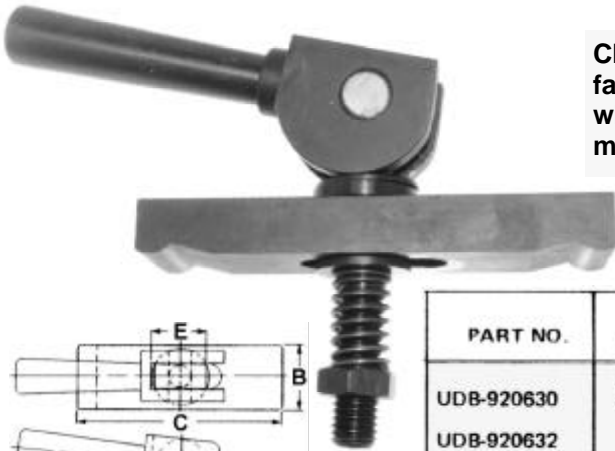


Center Cam Clamp Assemblies

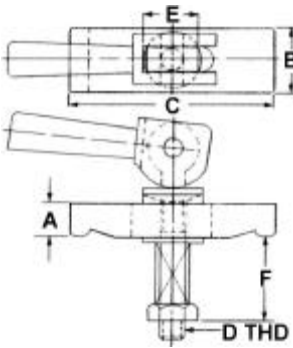
Center Cam Instant Clamping Assemblies

DOUBLE END CENTER CAM



CENTER CAM DOUBLE END combines the fast action feature of the fast actuated cam with easy installation, free rotation and simultaneous double clamping advantages.

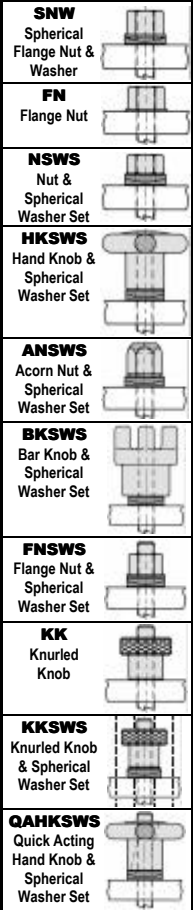
Individual clamp components are shown in Sections F and G.



ASSEMBLIES INCLUDE ALL PARTS SHOWN.

PART NO.	A	B	C	D Thread	E Travel	F Capacity
UDB-920630	5/8	1-1/4	4	1/2-13	1	1-3/8
UDB-920632	↓	↓	4-1/2	↓	↓	↓
UDB-920634	↓	↓	5	↓	↓	↓
UDB-920636	↓	↓	5-1/2	↓	↓	↓
UDB-920638	↓	↓	6	↓	↓	↓
UDB-920642	3/4	1-1/2	4-1/2	5/8-11	1-1/4	1-5/8
UDB-920644	↓	↓	5	↓	↓	↓
UDB-920646	↓	↓	5-1/2	↓	↓	↓
UDB-920648	↓	↓	6	↓	↓	↓

CLAMP ASSEMBLY TYPES AVAILABLE

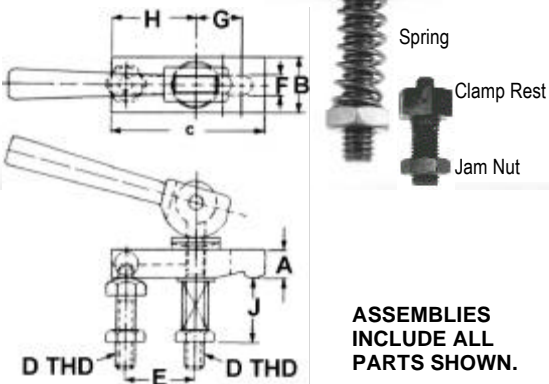


SINGLE END CENTER CAM CLAMPS WITH SLOTTED HEEL



SINGLE END CENTER CAM has spring loaded stud for instant release of work pieces. All clamps shown here are manufactured from heat treated steel with black oxide

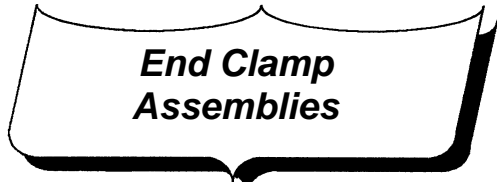
Select any assembly above on far right and add the suffix letters in bold to the part number and we will fax you details of the assembly items together with prices and dimensions.
Ex: UDB-920305-BKSWS



ASSEMBLIES INCLUDE ALL PARTS SHOWN.

PART NO.	A	B	C	D Thread	E	F	G Travel	H	J Capacity
UDB-920305	3/8	5/8	2	1/4-20	15/16	9/32	1/2	1	5/8
UDB-920307	↓	↓	2-1/2	↓	↓	↓	↓	1-1/8	↓
UDB-920310	1/2	1	2-3/4	5/16-18	1-1/4	11/32	7/16	1-1/2	1-1/8
UDB-920312	↓	↓	3-1/4	↓	↓	↓	13/16	↓	↓
UDB-920314	↓	↓	3-3/4	↓	↓	↓	1-3/16	↓	↓
UDB-920320	5/8	1-1/4	3	3/8-16	1-3/8	13/32	3/4	1-3/4	1-1/2
UDB-920322	↓	↓	4	↓	1-7/8	↓	1	2-1/4	↓
UDB-920324	↓	↓	5	↓	2-3/8	↓	1-1/2	2-3/4	↓
UDB-920326	↓	↓	6	↓	2-7/8	↓	2	3-1/4	↓
UDB-920330	5/8	1-1/4	4	1/2-13	1-7/8	17/32	1	2-1/4	1-3/8
UDB-920332	↓	↓	4-1/2	↓	↓	↓	1-1/2	↓	↓
UDB-920334	↓	↓	5	↓	↓	↓	↓	↓	↓
UDB-920336	↓	↓	5-1/2	↓	↓	↓	↓	↓	↓
UDB-920338	↓	↓	6	↓	↓	↓	↓	↓	↓
UDB-920342	7/8	1-1/2	4-1/2	5/8-11	2	21/32	1-1/2	2-1/2	1-5/8
UDB-920344	↓	↓	5	↓	↓	↓	↓	↓	↓
UDB-920346	↓	↓	5-1/2	↓	↓	↓	↓	↓	↓
UDB-920348	↓	↓	6	↓	↓	↓	↓	↓	↓

Tapped and Slotted Heel Instant End Clamping Assemblies

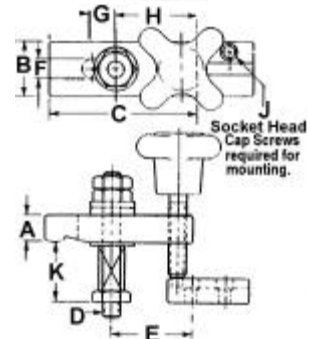


END HAND KNOB CLAMPS WITH TAPPED HEEL

END HAND KNOB quickly actuates clamping and releasing. Pressure is limited to hand tightening. Rest plate provides a positive seat for the retracting. Screw. Parts are heat treated and black oxide. Hand Knobs cadmium plated cast iron.

ALL ASSEMBLIES HAVE TAPPED HEEL and INCLUDE ALL PARTS SHOWN.

PART NO.	A	B	C	D Thread	E	F	G Travel	H	J	K Capacity
UDB-920905 UDB-920907	3/8	5/8	2 2-1/2	1/4-20	15/16	9/32	1/2	1 1-1/8	#5	5/8
UDB-920910 UDB-920912 UDB-920914	1/2	1	2-3/4 3-1/4 3-3/4	5/16-18	1-1/2	11/32	7/16 13/16 1-3/16	1-1/2	#10	1-1/8
UDB-920920 UDB-920922 UDB-920924 UDB-920926	5/8	1-1/4	3 4 5 6	3/8-16	1-1/2 2 2-1/2 3	13/32	3/4 1 1-1/2 2	1-11/16 2-3/16 2-11/16 3-3/16	1/4	1-5/16
UDB-920930 UDB-920932 UDB-920934 UDB-920936 UDB-920938	5/8	1-1/4	4 4-1/2 5 5-1/2 6	1/2-13	1-7/8	17/32	1 1-1/2	2-1/4	1/4	1-5/16
UDB-920942 UDB-920944 UDB-920946 UDB-920948	7/8	1-1/2	4-1/2 5 5-1/2 6	5/8-11	1-7/8	21/32	1 1-1/2	2-1/2	1/4	1-3/4



Individual clamp assemblies available below.

Individual clamp components are shown in Sections F and G.

UNITED CLAMP ASSEMBLY TYPES AVAIL-									
SNW Spherical Flange Nut & Washer	FN Flange Nut	NSWS Nut & Spherical Washer Set	HKWS Hand Knob & Spherical Washer Set	ANSWS Acorn Nut & Spherical Washer Set	BKWS Bar Knob & Spherical Washer Set	FNSWS Flange Nut & Spherical Washer Set	KK Knurled Knob	KKWS Knurled Knob & Spherical Washer Set	QAKWS Quick Acting Hand Knob & Spherical Washer Set

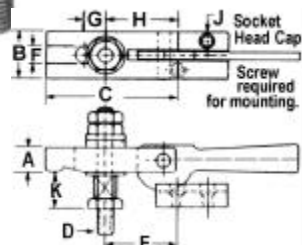
END CAM CLAMPS WITH SLOTTED HEEL AND TAPPED CROSS HOLES

Select any assembly above and add the suffix letters in bold to the part number and we will fax you details of the assembly items together with prices and dimensions. Ex: UDB-920805-BKWS

END CAM CLAMP is a fast action stable assembly. Sometimes referred to as a Slotted Heel Cam Action assembly. A durable positive maximum hand pressure clamp.

ALL ASSEMBLIES HAVE SLOTTED HEEL WITH TAPPED CROSS HOLES.

PART NO.	A	B	C	D Thread	E	F	G Travel	H	J	K Capacity
UDB-920805 UDB-920807	3/8	5/8	2 2-1/2	1/4-20	15/16	9/32	1/2	1 1-1/8	#5	7/16
UDB-920810 UDB-920812 UDB-920814	1/2	1	2-3/4 3-1/4 3-3/4	5/16-18	1-1/2	11/32	7/16 13/16 1-3/16	1-1/2	#10	3/4
UDB-920830 UDB-920832 UDB-920834 UDB-920836 UDB-920838	5/8	1-1/4	4 4-1/2 5 5-1/2 6	1/2-13	1-7/8	17/32	1	2-1/4	1/4	13/16
UDB-920842 UDB-920844 UDB-920846 UDB-920848	3/4	1-1/2	4-1/2 5 5-1/2 6	5/8-11	1-7/8	21/32	1 1-3/8	2-1/2	1/4	1-1/16



ASSEMBLIES INCLUDE ALL PARTS SHOWN.

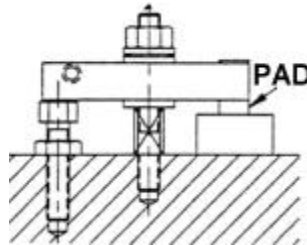
**Padded Heel
Strap Clamps**

Slotted and Tapped Heel Padded Strap Clamps

SLOTTED HEEL STEEL-PADDED STRAP CLAMPS



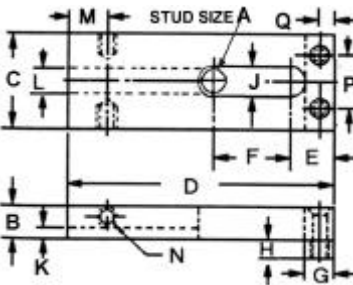
**STRONG — DURABLE
ECONOMICAL**



- FEATURING:**
- REPLACEABLE STEEL PAD FASTENED WITH TWO PROVIDED SCREWS
 - SUPPORT SLOTS
 - FINGER THREADED FOR HANDLES

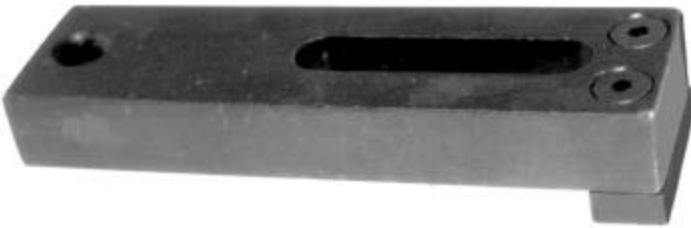
**Black Oxide Finish — 1018 Steel
Carburized and Hardened**

**PLASTIC AND BRASS PADS
AVAILABLE SEPARATELY.
SEE BELOW.**

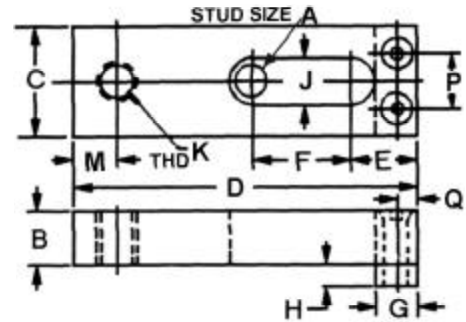


PART NO.	A	B	C	D	E	F	G	H	J	K	L	M	N	P	Q
UCC-935150	1/4-20, M6	3/8	5/8	2"	3/8	5/8	1/4	1/8	9/32	1/8	1/4			11/32	9/64
UCC-935152	3/8-16, M10	5/8	1-1/4	3-1/2	11/16	1-1/8	1/2	1/4	27/64	9/32	3/8	1/2	5/16-18	5/8	1/4
UCC-935154	3/8-16, M10	5/8	1-1/4	4-1/2	11/16	1-5/8	1/2	1/4	27/64	9/32	3/8	1/2	5/16-18	5/8	1/4
UCC-935156	1/2-13, M12	3/4	1-1/2	4-1/2	7/8	1-1/4	5/8	3/8	17/32	9/32	3/8	1/2	5/16-18	3/4	5/16
UCC-935158	1/2-13, M12	3/4	1-1/2	6"	7/8	2"	5/8	3/8	17/32	9/32	3/8	1/2	5/16-18	3/4	5/16

TAPPED HEEL STEEL-PADDED STRAP CLAMPS



**Black Oxide
1018 Steel
Carburized
and Hardened**



**FEATURING
REPLACEABLE STEEL PAD
FASTENED WITH TWO
PROVIDED SCREWS**

**PLASTIC AND BRASS PADS
AVAILABLE SEPARATELY**

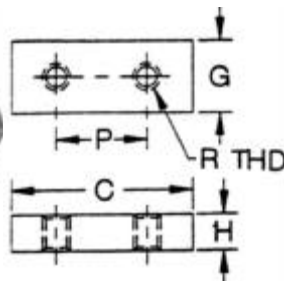
STRONG — DURABLE — ECONOMICAL

PART NO.	A	B	C	D	E	F	G	H	J	K	M	P	Q
UCC-935170	1/4-20	3/8	5/8	2"	3/8	5/8	1/4	1/8	9/32	1/4-20	7/32	11/32	9/64
UCC-935172	5/16-18	1/2	7/8	2-1/2	9/16	3/4	3/8	3/16	11/32	5/16-18	1/4	1/2	3/16
UCC-935174	5/16-18	1/2	7/8	2-1/2	9/16	1-1/4	3/8	3/16	11/32	5/16-18	1/4	1/2	3/16
UCC-935176	3/8-16	5/8	1-1/4	3-1/2	11/16	1-1/8	1/2	1/4	27/64	3/8-16	1/2	5/8	1/4
UCC-935178	3/8-16	5/8	1-1/4	4-1/2	11/16	1-5/8	1/2	1/4	27/64	3/8-16	1/2	5/8	1/4
UCC-935180	1/2-13	3/4	1-1/2	4-1/2	7/8	1-1/4	5/8	3/8	17/32	1/2-13	1/2	3/4	5/16
UCC-935182	1/2-13	3/4	1-1/2	6"	7/8	2"	5/8	3/8	17/32	1/2-13	1/2	3/4	5/16

STRAP CLAMP REPLACEMENT PADS

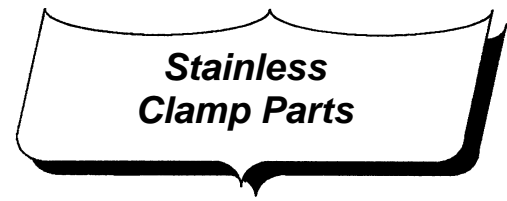
**REPLACEMENT PADS
STEEL — PLASTIC — BRASS
FOR ABOVE SLOTTED HEEL AND TAPPED STRAP CLAMPS**

USE PLASTIC OR BRASS FOR CRITICAL SURFACES.



STEEL PAD PART NO.	PLASTIC PAD PART NO.	BRASS PAD PART NO.	STUD SIZE	C	G	H	P	R THD
UCC-935190	UCC-935198	UCC-935206	1/4-20	5/8	1/4	1/8	11/32	#5-40
UCC-935192	UCC-935200	UCC-935208	5/16-18	7/8	3/8	3/16	1/2	#8-32
UCC-935194	UCC-935202	UCC-935210	3/8-16	1-1/4	1/2	1/4	5/8	#10-24
UCC-935196	UCC-935204	UCC-935212	1/2-13	1-1/2	5/8	3/8	3/4	1/4-20

Stainless Clamping Tooling Studs, Clamp Supports, Knurled Knobs and Screws



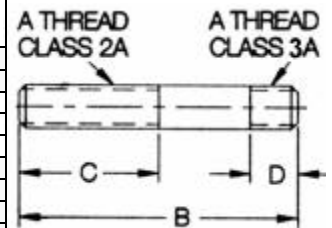
STAINLESS STEEL STUDS

FIXTURE STUDS STRONG STAINLESS CLAMPING STUDS

STANDARD 300 SERIES STAINLESS STEEL FIXTURE SET-UP STUDS
SPECIALS PER ORDER



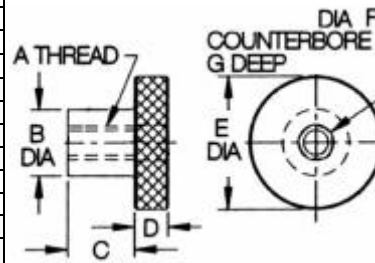
UNITED PART NO.	A THD SIZE	B OAL	C NUT FIT	D STUD FIT	UNITED PART NO.	A THD SIZE	B OAL	C NUT FIT	D STUD FIT
UDB-940860S	#10-24	1"	1/2	7/32	UDB-940876S	1/4-20	2-1/2	3/4	9/32
UDB-940862S	#10-24	1-1/2	3/4	7/32	UDB-940878S	1/4-20	3"	1"	9/32
UDB-940864S	#10-24	2"	3/4	7/32	UDB-940880S	5/16-18	1-1/2	5/8	11/32
UDB-940866S	#10-32	1"	1/2	7/32	UDB-940882S	5/16-18	2"	1"	11/32
UDB-940868S	#10-32	1-1/2	3/4	7/32	UDB-940884S	5/16-18	2-1/2	1-1/4	11/32
UDB-940870S	#10-32	2"	3/4	7/32	UDB-940886S	3/8 16	1-1/2	3/4	11/32
UDB-940872S	1/4-20	1-1/2	5/8	9/32	UDB-940888S	3/8 16	2-1/2	1-1/4	11/32
UDB-940874S	1/4-20	2"	3/4	9/32	UDB-940890S	3/8 16	3"	1-3/8	11/32
					UDB-940892S	3/8 16	4"	1-1/2	11/32



UNITED PART NO.	A THD SIZE	B O.D. DIA	C LEN	D HD THICK	E HD DIA	F DIA C'BORE	G DEPTH C'BORE
UDB-916312S	#10-24	3/8	1/4	3/16	1/2	N/A	N/A
UDB-916314S	#10-24	3/8	1/4	3/16	1"	N/A	N/A
UDB-916316S	#10-24	3/8	1/2	3/16	1/2	13/64	1/4
UDB-916322S	#10-24	3/8	1/2	3/16	1"	13/64	1/4
UDB-916324S	#10-32	3/8	1/4	3/16	1/2	N/A	N/A
UDB-916326S	#10-32	3/8	1/4	3/16	1"	N/A	N/A
UDB-916328S	#10-32	3/8	1/2	3/16	1/2	13/64	1/4
UDB-916330S	#10-32	3/8	1/2	3/16	1"	13/64	1/4
UDB-916332S	1/4-20	1/2	1/4	1/4	3/4	N/A	N/A
UDB-916334S	1/4-20	1/2	1/4	1/4	1"	N/A	N/A
UDB-916336S	1/4-20	1/2	1/2	1/4	1"	17/64	1/4
UDB-916338S	1/4-20	1/2	3/4	1/4	1"	17/64	1/2
UDB-916340S	5/16-18	5/8	1/2	5/16	1-1/4	21/64	1/4
UDB-916342S	5/16-18	5/8	3/4	5/16	1-1/4	21/64	1/2
UDB-916344S	3/8 16	3/4	1/2	3/8	1-1/4	25/64	1/4
UDB-916346S	3/8 16	3/4	3/4	3/8	1-1/4	25/64	1/2

STAINLESS KNURLED KNOBS

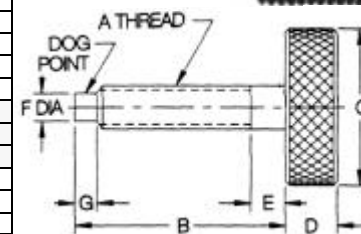
FOR FAST TIGHTENING OF STUDS
AND FIXTURE THREADED PINS



300 SERIES STAINLESS STEEL

UNITED PART NO.	A THD SIZE	B LENGTH	C DIA	D HD THICK	E RELIEF LEN	F DOG POINT DIA	G POINT LENGTH
UDB-923200S	#10-32	3/4	1/2	3/16	1/8	1/8	3/32
UDB-923202S	#10-32	1"	1/2	3/16	1/8	1/8	3/32
UDB-923204S	#10-32	1-1/4	1/2	3/16	1/8	1/8	3/32
UDB-923206S	#10-32	1-1/2	1/2	3/16	1/8	1/8	3/32
UDB-923208S	1/4-20	3/4	1"	5/16	1/8	5/32	1/8
UDB-923210S	1/4-20	1"	1"	5/16	1/8	5/32	1/8
UDB-923212S	1/4-20	1-1/4	1"	5/16	1/8	5/32	1/8
UDB-923214S	1/4-20	1-1/2	1"	5/16	1/8	5/32	1/8
UDB-923216S	1/4-20	2"	1"	5/16	1/8	5/32	1/8
UDB-923218S	5/16-18	1-1/2	1-1/8	3/8	3/16	13/64	5/32
UDB-923220S	5/16-18	2"	1-1/8	3/8	3/16	13/64	5/32
UDB-923222S	5/16-18	2-1/2	1-1/8	3/8	3/16	13/64	5/32
UDB-923224S	3/8 16	2"	1-1/4	7/16	3/16	1/4	1/4
UDB-923226S	3/8 16	2-1/2	1-1/4	7/16	3/16	1/4	1/4
UDB-923228S	3/8 16	3"	1-1/4	7/16	3/16	1/4	1/4

STAINLESS KNURLED HEAD SCREWS



ALLOW FINGER
TIGHTENING FOR
LIGHT CLAMPING.



300 SERIES STAINLESS STEEL

300 SERIES STAINLESS STEEL

STAINLESS CLAMP SCREWS — REAR SUPPORT

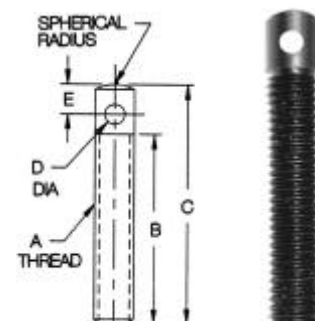
PART NO.	A THD	B	C	D DIA	E	
UDB-930670S	#10-32	1/2	3/4	3/32	1/8	
UDB-930672S		3/4	1"			
UDB-930674S		1-1/4	1-1/2			
UDB-930676S	1/4 20	11/16	1"	1/8	3/16	
UDB-930678S		1-3/16	1-1/2			
UDB-930680S		1-7/16	1-3/4			1/4
UDB-930682S		7/8	1-1/4			
UDB-930684S		5/16-18	1-1/8			1-1/2
UDB-930686S	1-5/8	2"				
UDB-930688S	1-1/8	1-1/2				
UDB-930690S	3/8 16	1-3/8	1-3/4	3/16	3/16	
UDB-930692S		2-3/8	2-3/4			

REAR SUPPORT CLAMP
SCREWS HAVE
SPHERICAL HEAD.

DRILL HOLE ALLOWS
TURNING WITH A PIN.

USE UP OR DOWN.

300 SERIES STAINLESS STEEL



Stainless Clamping Components

Stainless Clamping Components Clamp Springs, Hex and Jam Nuts

STAINLESS CLAMP SPRINGS



STANDARD CLAMP SPRINGS HAVE CLOSED ENDS.

LENGTHS AVAILABLE FROM 5/16" TO 10" LENGTHS IN ONE INCH INCREMENTS. CUSTOM LENGTHS HAVE OPEN ENDS.

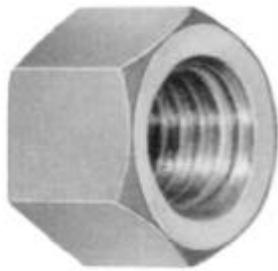
STRONG STAINLESS CLAMP SPRINGS

HOLD CLAMP STRAPS
FOR CLEAN LOADING

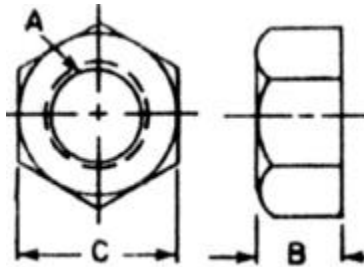
STANDARD 303 SERIES STAINLESS STEEL FIXTURE SET-UP SPRINGS

UNITED PART NO.	FITS STUD SIZE	A DIA	B LEN	C WIRE DIA	NO. OF COILS
UDB-936050SS	#10-32 & M5	13/64	.7	.042	5-1/2
UDB-936055SS	1/4-20 & M6	17/64	.7	.042	5-1/2
UDB-936060SS	5/16-18 & M8	21/64	.7	.049	5
UDB-936065SS	3/8 16 & M10	13/32	1.0	.049	7

STAINLESS HEX NUTS



HEAVY DUTY



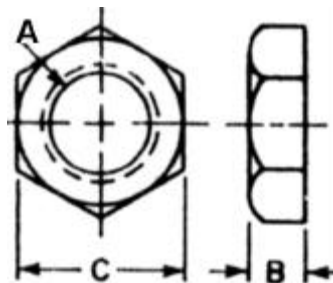
UNITED HEAVY DUTY HEX NUTS ARE PRECISION MACHINED.

STEEL IS HEAT TREATED TO OUTLAST COMPETITIVE STANDARD NUTS IN REPETITIOUS OPERATIONS.

300 SERIES STAINLESS WITH PASSIVATED FINISH

STAINLESS PART NO.	STEEL PART NO.	A THD SIZE	B THICK	C HEX
UDB-925348S		1/4-28	7/32	7/16
UDB-925350S	UDB-925350	1/4-20	1/4	1/2
UDB-925352S		5/16-24	17/64	1/2
UDB-925355S	UDB-925355	5/16-18	5/16	9/16
UDB-925357S		3/8 24	21/64	9/16
UDB-925360S	UDB-925360	3/8 16	3/8	11/16
UDB-925362S		1/2-20	7/16	3/4
UDB-925365S	UDB-925365	1/2-13	1/2	7/8
UDB-925370S	UDB-925370	5/8-11	5/8	1-1/16
UDB-925375S	UDB-925375	3/4-10	3/4	1-1/4
	UDB-925380	7/8-9	7/8	1-7/16
	UDB-925385	1 8	1"	1-5/8

STAINLESS HEX JAM NUTS



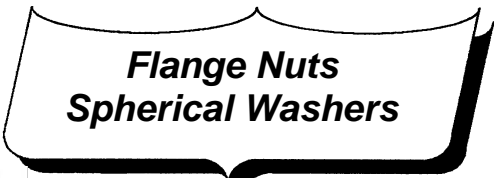
300 SERIES STAINLESS HAVE PASSIVATED FINISH.

12L14 STEEL IS HEAT TREATED WITH BLACK OXIDE FINISH.

USE FOR LOCK NUTS AND LIGHT DUTY APPLICATIONS.

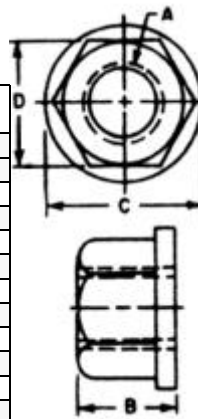
STAINLESS PART NO.	STEEL PART NO.	A THD SIZE	B THICK	C HEX
UDB-925392S		#10-32	1/8	3/8
UDB-925395S		#10-24	1/8	3/8
UDB-925397S		1/4-28	5/32	7/16
UDB-925400S	UDB-925400	1/4-20	11/64	1/2
UDB-925402S		5/16-24	3/16	1/2
UDB-925405S	UDB-925405	5/16-18	13/64	9/16
UDB-925407S		3/8 24	7/32	9/16
UDB-925410S	UDB-925410	3/8 16	15/64	11/16
UDB-925415S	UDB-925415	1/2-13	19/64	7/8
	UDB-925420	5/8-11	23/64	1-1/16
	UDB-925425	3/4-10	27/64	1-1/4
	UDB-925430	7/8-9	31/64	1-7/16
	UDB-925435	1 8	35/64	1-5/8

Stainless Flange Nuts, Spherical Washers & Sets



UNITED STAINLESS FLANGE NUTS have a large bearing area insuring full surface contact. Available in National Coarse and National Fine Threads in Steel and Stainless.

STAINLESS PART NO.	COARSE STEEL	A STUD THD	FINE THD STEEL	A STUD THD	B HT.	C DIA FLANGE	D HEX
UDB-925146S		10 32			5/16	1/2	3/8
UDB-925148S	UDB-925148	10 24	UDB-925198	1/4-28	5/16	1/2	1/2
UDB-925150S	UDB-925150	1/4-20	UDB-925200	1/4-28	5/16	5/8	1/2
UDB-925155S	UDB-925155	5/16-18	UDB-925205	5/16-24	3/8	3/4	9/16
UDB-925160S	UDB-925160	3/8-16	UDB-925210	3/8-24	1/2	7/8	11/16
UDB-925165S	UDB-925165	1/2-13	UDB-925215	1/2-20	11/16	1-1/8	7/8
UDB-925170S	UDB-925170	5/8-11	UDB-925220	5/8-18	13/16	1-3/8	1-1/16
	UDB-925175	3/4-10	UDB-925225	3/4-16	1	1-5/8	1-1/4
	UDB-925180	7/8-9	UDB-925230	7/8-14	1-1/8	1-3/4	1-7/16
	UDB-925185	1-8	UDB-925235	1-14	1-1/4	2	1-5/8
	UDB-925190	1-1/8-7	UDB-925240	1-1/8-12	1-3/8	2-1/4	1-13/16
	UDB-925195	1-1/4-7	UDB-925245	1-1/4-12	1-3/8	2-1/4	1-13/16



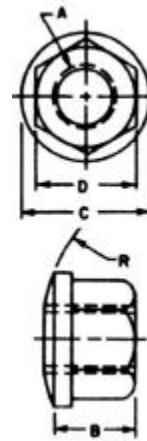
STAINLESS FLANGE NUTS

AVAILABLE IN
303 SERIES STAINLESS STEEL
AND
HEAT TREATED 12L14 STEEL
BLACK OXIDE FINISH



UNITED STAINLESS SPHERICAL NUTS are used with the Spherical Washers shown in this Section. Spherical Washers and Nuts assure alignment and balanced thread loads. Available in Steel and Stainless. Add 'S' for stainless to spherical washer part number in last column.

STAINLESS PART NO.	STEEL PART NO.	A STUD THD	B HT.	C DIA FLANGE	D HEX	R RADIUS	USE WITH SPHERICAL WASHER P/N
UDB-925250S	UDB-925250	1/4-20	5/16	5/8	1/2	3/4	UDB-926450
UDB-925255S	UDB-925255	5/16-18	3/8	3/4	9/16	1	UDB-926455
UDB-925260S	UDB-925260	3/8-16	1/2	7/8	11/16	1-1/4	UDB-926460
UDB-925265S	UDB-925265	1/2-13	11/16	1-1/8	7/8	1-1/2	UDB-926465
UDB-925270S	UDB-925270	5/8-11	13/16	1-3/8	1-1/16	1-3/4	UDB-926470
UDB-925275S	UDB-925275	3/4-10	1	1-5/8	1-1/4	2-1/4	UDB-926475
UDB-925280S	UDB-925280	7/8-9	1-1/8	1-3/4	1-7/16	2-1/2	UDB-926480
UDB-925285S	UDB-925285	1-8	1-1/4	2	1-5/8	2-3/4	UDB-926485
UDB-925290S	UDB-925290	1-1/8-7	1-1/4	2-1/4	1-13/16	3	UDB-926490
UDB-925295S	UDB-925295	1-1/4-7	1-1/4	2-5/8	2	3	UDB-926495



SPHERICAL FLANGE

The Spherical Flange Nut mates with the corresponding Bottom Washer shown below.



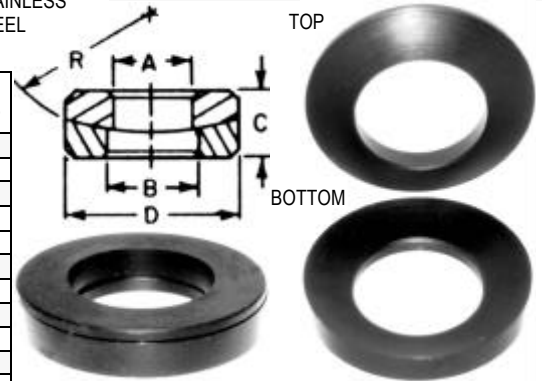
303 SERIES STAINLESS STEEL ZINC FINISH

UNITED STAINLESS SPHERICAL WASHERS self-align to compensate for mis-alignment between clamp strap and part being clamped. They reduce stress on studs. Hole sizes are 1/32 to 1/8 larger than corresponding studs.

STAINLESS ASSY P/N	TOP STAINLESS	BOTTOM STAINLESS	STUD DIA	A TOP I. D.	B I. D. BOTTOM	C HT.	D O.D.	R RADIUS
UDB-926250S	UDB-926350S	UDB-926450S	1/4	9/32	5/16	3/16	5/8	3/4
UDB-926255S	UDB-926355S	UDB-926455S	5/16	11/32	3/8	1/4	3/4	1
UDB-926260S	UDB-926360S	UDB-926460S	3/8	13/32	7/16	1/4	7/8	1-1/4
UDB-926265S	UDB-926365S	UDB-926465S	1/2	17/32	9/16	5/16	1-1/8	1-1/2
UDB-926270S	UDB-926370S	UDB-926470S	5/8	21/32	11/16	5/16	1-3/8	1-3/4
UDB-926275S	UDB-926375S	UDB-926475S	3/4	25/32	13/16	3/8	1-5/8	2-1/4
UDB-926280S	UDB-926380S	UDB-926480S	7/8	15/16	1	3/8	1-3/4	2-1/2
UDB-926285S	UDB-926385S	UDB-926485S	1	1-1/16	1-1/8	1/2	2	2-3/4
UDB-926290S	UDB-926390S	UDB-926490S	1-1/8	1-11/64	1-1/4	1/2	2-1/4	3
UDB-926295S	UDB-926395S	UDB-926495S	1-1/4	1-19/64	1-3/8	1/2	2-5/8	3
UDB-926300S	UDB-926400S	UDB-926500S	1-1/2	1-9/16	1-5/8	9/16	2-7/8	3

303 SERIES STAINLESS STEEL

SPHERICAL WASHERS



UNITED STAINLESS SPHERICAL NUT and SPHERICAL WASHER SETS assure alignment and balanced thread loads.

SPHERICAL FLANGE NUT & WASHER SETS

SPHERICAL FLANGE NUT PART NO.	Use with SPHERICAL WASHER NO.	A STUD THD	B HT.	C FLANGE DIA	D HEX	R RADIUS	SET Spherical Flange Nuts & Washers
UDB-925250S	UDB-926450S	1/4-20	5/16	5/8	1/2	3/4	UDB-925550S
UDB-925255S	UDB-926455S	5/16-18	3/8	3/4	9/16	1	UDB-925555S
UDB-925260S	UDB-926460S	3/8-16	1/2	7/8	11/16	1-1/4	UDB-925560S
UDB-925265S	UDB-926465S	1/2-13	11/16	1-1/8	7/8	1-1/2	UDB-925565S
UDB-925270S	UDB-926470S	5/8-11	13/16	1-3/8	1-1/16	1-3/4	UDB-925570S
UDB-925275S	UDB-926475S	3/4-10	1	1-5/8	1-1/4	2-1/4	UDB-925575S
UDB-925280S	UDB-926480S	7/8-9	1-1/8	1-3/4	1-7/16	2-1/2	UDB-925580S
UDB-925285S	UDB-926485S	1-8	1-1/4	2	1-5/8	2-3/4	UDB-925585S
UDB-925290S	UDB-926490S	1-1/8-7	1-1/4	2-1/4	1-13/16	3	UDB-925590S
UDB-925295S	UDB-926495S	1-1/4-7	1-1/4	2-5/8	2	3	UDB-925595S

STAINLESS MATCHED SETS!

Mating Spherical Nuts and Spherical Washers are shown at left individually and as SETS.

303 SERIES STAINLESS STEEL

