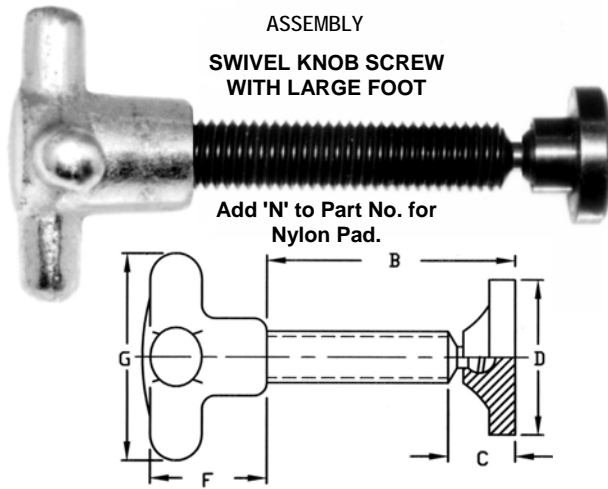


**Swivel Knob Screws  
Removable Pads**

# Heavy Duty Knob Swivel Screw Assy with Removable Pads

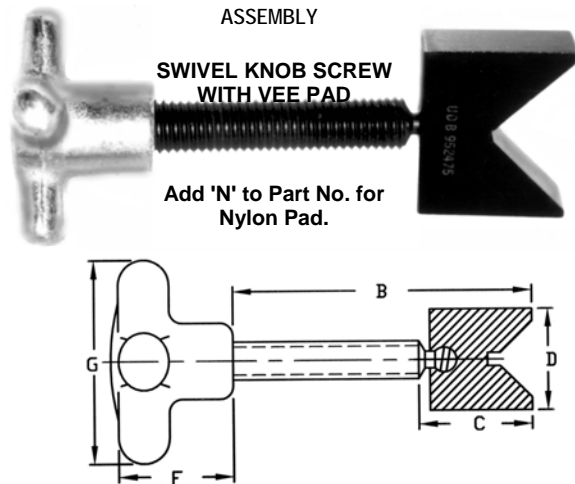
BODY — ALLOY STEEL — CASE-HARDENED — BLACK OXIDE FINISH  
KNOBS — CAST IRON — ZINC PLATED — CLEAR CHROMATE FINISH

## EXTRA LARGE PAD SWIVEL KNOB SCREW



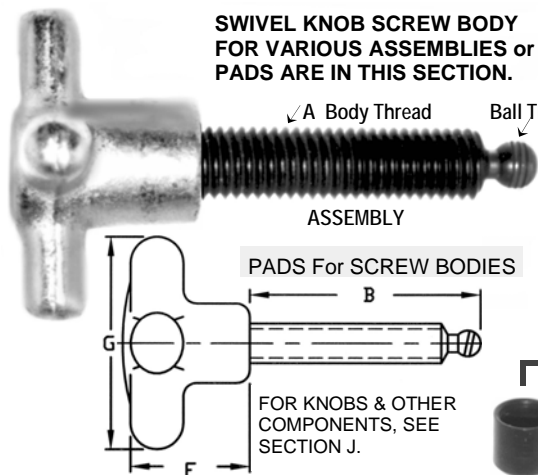
PART NO.	A	B	C	D	F	G
UDB-952700	1/4-20	1-3/32	23/64	3/8	5/8	1-1/8
UDB-952701	1/4-20	1-19/32	23/64	3/8	5/8	1-1/8
UDB-952702	1/4-20	2-3/32	23/64	3/8	5/8	1-1/8
UDB-952703	1/4-20	3-3/32	23/64	3/8	5/8	1-1/8
UDB-952704	5/16-18	1-3/32	27/64	1/2	7/8	1-1/2
UDB-952705	5/16-18	1-19/32	27/64	1/2	7/8	1-1/2
UDB-952706	5/16-18	2-3/32	27/64	1/2	7/8	1-1/2
UDB-952707	5/16-18	3-3/32	27/64	1/2	7/8	1-1/2
UDB-952708	3/8-16	1-5/8	1/2	9/16	1-1/8	2"
UDB-952709	3/8-16	2-1/8	1/2	9/16	1-1/8	2"
UDB-952710	3/8-16	3-1/8	1/2	9/16	1-1/8	2"
UDB-952711	3/8-16	4-1/8	1/2	9/16	1-1/8	2"
UDB-952712	1/2-13	1-5/32	17/32	1-1/2	1-1/2	2"
UDB-952713	1/2-13	2-5/32	17/32	1-1/2	1-1/2	2"
UDB-952714	1/2-13	3-5/32	17/32	1-1/2	1-1/2	2"
UDB-952715	1/2-13	4-5/32	17/32	1-1/2	1-1/2	2"
UDB-952716	5/8-11	2-7/32	21/32	2"	1-3/4	2-1/2
UDB-952717	5/8-11	3-7/32	21/32	2"	1-3/4	2-1/2
UDB-952718	5/8-11	4-7/32	21/32	2"	1-3/4	2-1/2
UDB-952719	5/8-11	5-7/32	21/32	2"	1-3/4	2-1/2

## LARGE VEE PAD SWIVEL KNOB SCREW



PART NO.	A	B	C	D	F	G
UDB-952730	1/4-20	1-21/32	23/64	1"	5/8	1-1/8
UDB-952731	1/4-20	2-5/32	23/64	1"	5/8	1-1/8
UDB-952732	1/4-20	2-21/32	23/64	1"	5/8	1-1/8
UDB-952733	1/4-20	3-21/32	23/64	1"	5/8	1-1/8
UDB-952734	5/16-18	1-21/32	27/64	1"	7/8	1-1/2
UDB-952735	5/16-18	2-5/32	27/64	1"	7/8	1-1/2
UDB-952736	5/16-18	2-21/32	27/64	1"	7/8	1-1/2
UDB-952737	5/16-18	3-21/32	27/64	1"	7/8	1-1/2
UDB-952738	3/8-16	1-29/32	1/2	1"	1-1/8	2"
UDB-952739	3/8-16	2-25/32	1/2	1"	1-1/8	2"
UDB-952740	3/8-16	3-25/32	1/2	1"	1-1/8	2"
UDB-952741	3/8-16	4-25/32	1/2	1"	1-1/8	2"
UDB-952742	1/2-13	2-5/16	17/32	2"	1-1/2	2"
UDB-952743	1/2-13	3-5/16	17/32	2"	1-1/2	2"
UDB-952744	1/2-13	4-5/16	17/32	2"	1-1/2	2"
UDB-952745	1/2-13	5-5/16	17/32	2"	1-1/2	2"
UDB-952746	5/8-11	3-1/4	21/32	2"	1-3/4	2-1/2
UDB-952747	5/8-11	4-1/4	21/32	2"	1-3/4	2-1/2
UDB-952748	5/8-11	5-1/4	21/32	2"	1-3/4	2-1/2
UDB-952749	5/8-11	6-1/4	21/32	2"	1-3/4	2-1/2

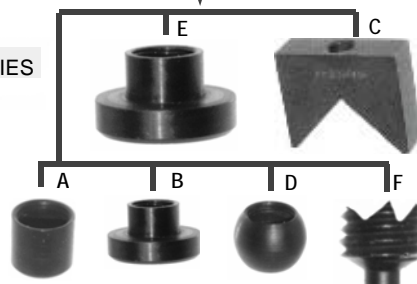
## SWIVEL KNOB SCREW BODY



SELECT A COMPLETE SET OR AS MANY SWIVEL SCREW PADS AS YOU REQUIRE FOR YOUR SWIVEL KNOB SCREW BODY.

SEE DETAILS IN THIS SECTION, PAGE I-4.

SELECT PAD STYLE



CAST IRON KNOB SCREW BODIES					
PART NO.	A	B	F	G	
UDB-952243	1/4-20	31/32			
UDB-952245		1-15/32	5/8	1-1/8	
UDB-952247	BALL THD is	1-31/32			
UDB-952249	is 8-36-LH	2-31/32			
UDB-952251	5/16-18	31/32			
UDB-952253		1-15/32	7/8	1-1/2	
UDB-952255	BALL THD is	1-31/32			
UDB-952257	12-28-LH	2-31/32			
UDB-952259	3/8-16	1-7/16			
UDB-952261		1-15/16	1-1/8	2"	
UDB-952263	BALL THD is	2-15/16			
UDB-952265	1/4-28-LH	3-15/16			
UDB-952267	1/2-13	1-7/16			
UDB-952269		1-15/16	1-1/2	2"	
UDB-952271	BALL THD is	2-15/16			
UDB-952273	5/16-24LH	3-15/16			
UDB-952275	5/8-11	1-15/16			
UDB-952277		2-15/16	1-3/4	2-1/2	
UDB-952279	BALL THD is	3-15/16			
UDB-952281	7/16-20LH	4-15/16			

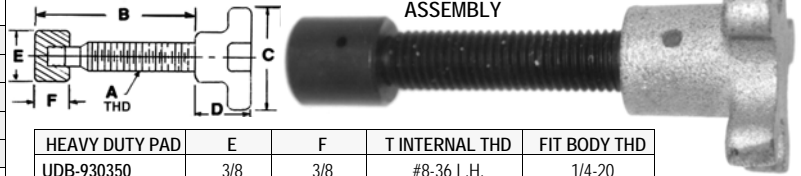
# Wide Variety of Styles

## Hand Knob Assemblies

PART NO.	A	B	C	D	E	F
UDB-930300	1/4-20	1-1/4	1-1/8	5/8	3/8	3/8
UDB-930302	1/4-20	1-7/8	1-1/8	5/8	3/8	3/8
UDB-930305	5/16-18	1-7/16	1-1/2	7/8	1/2	7/16
UDB-930306	5/16-18	2"	1-1/2	7/8	1/2	7/16
UDB-930307	5/16-18	2-3/16	1-1/2	7/8	1/2	7/16
UDB-930308	5/16-18	2-1/2	1-1/2	7/8	1/2	7/16
UDB-930310	3/8-16	2"	2"	1-1/8	3/4	3/4
UDB-930311	3/8-16	2-1/2	2"	1-1/8	3/4	3/4
UDB-930312	3/8-16	2-3/4	2"	1-1/8	3/4	3/4
UDB-930313	3/8-16	3"	2"	1-1/8	3/4	3/4
UDB-930315	3/8-16	3-1/2	2"	1-1/8	3/4	3/4
UDB-930317	1/2-13	2-5/8	2-1/2	1-1/2	7/8	7/8
UDB-930319	1/2-13	3-3/8	2-1/2	1-1/2	7/8	7/8
UDB-930321	1/2-13	4-1/8	2-1/2	1-1/2	7/8	7/8
UDB-930322	5/8-11	3"	3"	1-3/4	1"	1"
UDB-930323	5/8-11	3-3/4	3"	1-3/4	1"	1"
UDB-930325	5/8-11	4-1/2	3"	1-3/4	1"	1"
UDB-930327	5/8-11	5"	3"	1-3/4	1"	1"
UDB-930329	3/4-10	3-1/8	3"	1-3/4	1-1/8	1-1/8
UDB-930331	3/4-10	3-7/8	3"	1-3/4	1-1/8	1-1/8
UDB-930333	3/4-10	4-5/8	3"	1-3/4	1-1/8	1-1/8

## HAND KNOB TOGGLE SCREWS

CAST IRON BRIGHT ZINC PLATED KNOB  
ADD 'A' TO PART NO. FOR ALUMINUM



HEAVY DUTY PAD	E	F	T INTERNAL THD	FIT BODY THD
UDB-930350	3/8	3/8	#8-36 L.H.	1/4-20
UDB-930355	1/2	7/16	#12-28 L.H.	5/16-18
UDB-930360	3/4	3/4	1/4-28 L.H.	3/8-16
UDB-930365	7/8	7/8	5/16-24 L.H.	1/2-13
UDB-930370	1"	1"	7/16-20 L.H.	5/8-11
UDB-930375	1-1/8	1-1/8	1/2-20 L.H.	3/4-10

Shoe swivels 4° in all directions.

Marring of finished surfaces is eliminated.

Toggle Screw stops rotation on contact with work piece.

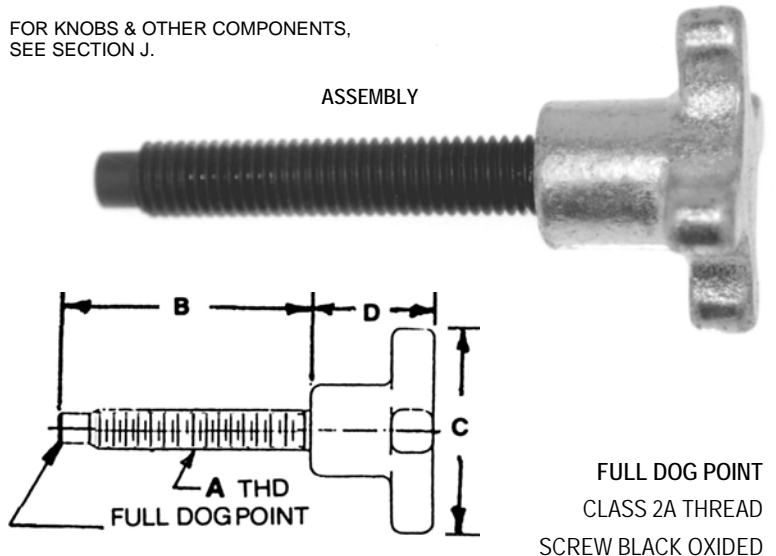
Toggle shoe is removed and replaced easily for installation in jig or fixture mounting holes.

UNITED PART NO.	A THD	B LEN	C KNOB	D KNOB LEN
UDB-930251	1/4-20	1"	1-1/8	5/8
UDB-930253	1/4-20	1-1/2	1-1/8	5/8
UDB-930255	1/4-20	1-3/4	1-1/8	5/8
UDB-930257	1/4-20	2"	1-1/8	5/8
UDB-930259	1/4-20	3"	1-1/8	5/8
UDB-930260	5/16-18	1"	1-1/2	7/8
UDB-930261	5/16-18	1-3/4	1-1/2	7/8
UDB-930263	5/16-18	2-1/2	1-1/2	7/8
UDB-930265	5/16-18	3"	1-1/2	7/8
UDB-930266	3/8-16	1"	2"	1-1/8
UDB-930267	3/8-16	1-1/4	2"	1-1/8
UDB-930268	3/8-16	1-1/2	2"	1-1/8
UDB-930269	3/8-16	1-3/4	2"	1-1/8
UDB-930271	3/8-16	2"	2"	1-1/8
UDB-930273	3/8-16	2-1/2	2"	1-1/8
UDB-930275	3/8-16	3"	2"	1-1/8
UDB-930276	1/2-13	1"	2-1/2	1-1/2
UDB-930277	1/2-13	1-1/2	2-1/2	1-1/2
UDB-930279	1/2-13	1-3/4	2-1/2	1-1/2
UDB-930281	1/2-13	2"	2-1/2	1-1/2
UDB-930283	1/2-13	2-1/2	2-1/2	1-1/2
UDB-930285	1/2-13	3"	2-1/2	1-1/2
UDB-930287	5/8-11	1-3/4	2-1/2	1-1/2
UDB-930289	5/8-11	2-1/2	2-1/2	1-1/2
UDB-930291	5/8-11	3"	2-1/2	1-1/2
UDB-930293	5/8-11	3-1/2	2-1/2	1-1/2
UDB-930295	3/4-10	3"	3"	1-3/4
UDB-930297	3/4-10	3-1/2	3"	1-3/4
UDB-930299	3/4-10	4"	3"	1-3/4

## HAND KNOB SCREWS

CAST IRON BRIGHT ZINC PLATED KNOB  
ADD 'A' TO PART NO. FOR ALUMINUM

FOR KNOBS & OTHER COMPONENTS,  
SEE SECTION J.



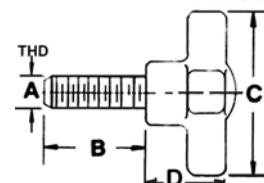
FULL DOG POINT  
CLASS 2A THREAD  
SCREW BLACK OXIDED

UNITED PART NO.	A THD	B LEN	C KNOB	D REF. PART NO. PG J3
UDB-930200	1/4-20	1-3/4	1-1/2	UDB-945550 7/8
UDB-930205	1/4-20	3"	1-1/2	UDB-945550 7/8
UDB-930210	5/16-18	1-3/4	2"	UDB-945575 1-1/8
UDB-930215	5/16-18	3"	2"	UDB-945575 1-1/8
UDB-930220	3/8-16	1-3/4	2"	UDB-945575 1-1/8
UDB-930225	3/8-16	3"	2"	UDB-945575 1-1/8
UDB-930230	1/2-13	1-3/4	2-1/2	UDB-945615 1-1/2
UDB-930235	1/2-13	3"	2-1/2	UDB-945615 1-1/2
UDB-930240	5/8-11	1-3/4	2-1/2	UDB-945645 1-1/2
UDB-930245	5/8-11	3"	2-1/2	UDB-945645 1-1/2

## HAND KNOB ASSEMBLIES

CAST IRON BRIGHT ZINC PLATED KNOB

ADD 'A'  
TO PART NO.  
FOR ALUMINUM

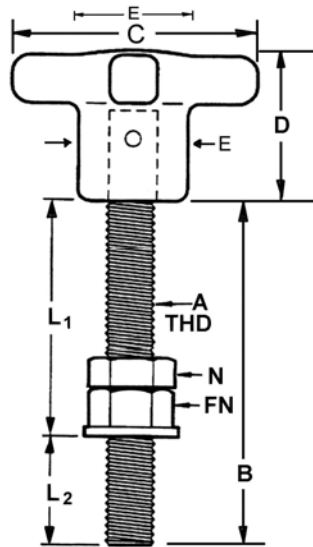


**Adj. Hold Down Pins  
& Shoulder Screws**

# Adjustable Hold Down Pins Knurled Shoulder Screws

## ADJUSTABLE HOLD DOWN PINS – Threaded Spindle Assy

FOR KNOBS & OTHER COMPONENTS, SEE SECTION J.



HEAT TREATED STEEL BLACK OXIDE FINISH SPINDLE  
CAST IRON BRIGHT ZINC PLATED KNOB  
BLACK OXIDE FINISH FLANGE AND JAM NUTS

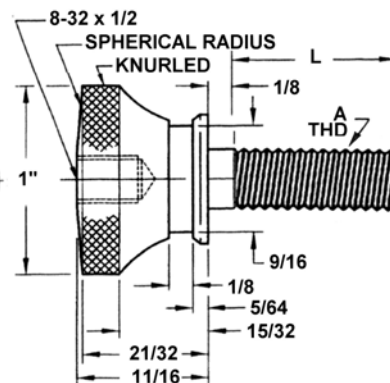
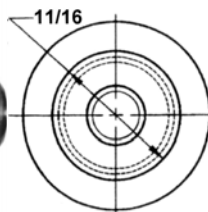
UNITED PART NO.	A THD	B LEN	C KNOB DIA	D KNOB LEN	E KNOB HUB	N JAM NUT & HEIGHT	FN FLANGE NUT & HT.
UDB-930718	1/4-20	2"	1-1/8	5/8	5/8	UDB-925350 11/64	UDB-925150 5/16
UDB-930722	1/4-20	3"	1-1/8	5/8			
UDB-930724	1/4-20	4"	1-1/8	5/8			
UDB-930726	1/4-20	5"	1-1/8	5/8			
UDB-930728	1/4-20	6"	1-1/8	5/8	3/4	UDB-925355 13/64	UDB-925155 3/8
UDB-930730	5/16-18	2"	1-1/2	7/8			
UDB-930732	5/16-18	4"	1-1/2	7/8			
UDB-930734	5/16-18	6"	1-1/2	7/8			
UDB-930736	5/16-18	8"	1-1/2	7/8	3/4	UDB-925360 15/64	UDB-925160 1/2
UDB-930738	3/8-16	2"	2"	1-1/8			
UDB-930740	3/8-16	4"	2"	1-1/8			
UDB-930742	3/8-16	6"	2"	1-1/8			
UDB-930744	3/8-16	8"	2"	1-1/8	1-1/8	UDB-925365 19/64	UDB-925165 11/16
UDB-930746	1/2-13	2-1/2	2-1/2	1-1/2			
UDB-930748	1/2-13	4"	2-1/2	1-1/2			
UDB-930750	1/2-13	6"	2-1/2	1-1/2			
UDB-930752	1/2-13	8"	2-1/2	1-1/2	1-1/8	UDB-925370 23/64	UDB-925170 13/16
UDB-930754	5/8-11	2-1/2	2-1/2	1-1/2			
UDB-930756	5/8-11	4"	2-1/2	1-1/2			
UDB-930758	5/8-11	6"	2-1/2	1-1/2			
UDB-930760	5/8-11	8"	2-1/2	1-1/2	1-1/4	UDB-925375 27/64	UDB-925175 1
UDB-930762	3/4-10	3"	3"	1-3/4			
UDB-930764	3/4-10	5"	3"	1-3/4			
UDB-930766	3/4-10	6"	3"	1-3/4			
UDB-930768	3/4-10	8"	3"	1-3/4			

Adjust Flange Nut to required grip and distance (L). Then locate the Jam Nut firmly against the Flange Nut. This prevents the Flange Nut from moving.

If permanent hold-down is required, bond both nuts into position with Loctite®, copper bronze weld or appropriate bonding material.

REPLACEMENT OPTION FOR UT-7036 SERIES

## KNURLED SHOULDER SCREW



Heat treated Steel  
Black Oxide finish

The end of the Threaded Spindle has a slight crown and is polished.

Conforms to  
UT-7111

UNITED Knurled Shoulder Screws provide a positive grip for finger tightening with infinite adjustment ability.

The 8-32 x 1/2 tapped center hole permits extension of the knob when required while adding strength.

SPECIAL LENGTHS AVAILABLE

A THREAD CLASS 3	L = LENGTH OF THREAD						KNOBS ONLY
	1/2	1	1-1/2	3	3-1/2	4	
1/4-20 NC	UDB-711408	UDB-711416	UDB-711424	UDB-711448	UDB-711456	UDB-711464	UDB-711400
5/16-18	UDB-711508	UDB-711516	UDB-711524	UDB-711548	UDB-711556	UDB-711564	UDB-711500
3/8-16 NC	UDB-711608	UDB-711616	UDB-711624	UDB-711648	UDB-711656	UDB-711664	UDB-711600

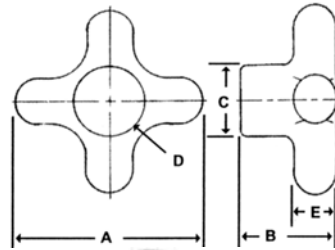
# Hand Knobs

## Cast Iron & Aluminum Alloy

**Heavy Duty  
Hand Knobs**

### UnEcon Cast Iron Hand Knobs — INCH & METRIC SIZES

CAST IRON	A	B	C HUB	D HOLE STYLE	E
UDB-945500	1-1/8	5/8	5/8	BLANK	5/16
UDB-945505	1-1/8	5/8	5/8	10-32 TAP	5/16
UDB-945510	1-1/8	5/8	5/8	10-24 TAP	5/16
UDB-945515	1-1/8	5/8	5/8	3/16 REAM	5/16
UDB-945525	1-1/8	5/8	5/8	1/4 - 20 TAP x 1/2 DP	5/16
UDB-945530	1-1/8	5/8	5/8	1/4 REAM x 1/2 DP	5/16
UDB-945531	1-1/8	5/8	5/8	M6 TAP THRU	5/16
UDB-945532	1-1/8	5/8	5/8	M6 TAP x 1/2 DP	5/16
UDB-945533	1-1/8	5/8	5/8	6MM REAM x 1/2 DP	5/16
UDB-945540	1-1/2	7/8	3/4	1/4 - 20 TAP THRU	3/8
UDB-945541	1-1/2	7/8	3/4	1/4 - 20 TAP x 3/4 DP	3/8
UDB-945542	1-1/2	7/8	3/4	1/4 REAM x 3/4 DP	3/8
UDB-945550	1-1/2	7/8	3/4	BLANK	3/8
UDB-945555	1-1/2	7/8	3/4	5/16 - 18 TAP x 3/4 DP	3/8
UDB-945556	1-1/2	7/8	3/4	5/16 - 18 TAP THRU	3/8
UDB-945560	1-1/2	7/8	3/4	5/16 REAM x 3/4 DP	3/8
UDB-945575	2"	1-1/8	3/4	BLANK	1/2
UDB-945580	2"	1-1/8	3/4	5/16 REAM x 3/4 DP	1/2
UDB-945581	2"	1-1/8	3/4	5/16 - 18 TAP x 3/4 DP	1/2
UDB-945582	2"	1-1/8	3/4	5/16 - 18 TAP THRU	1/2
UDB-945585	2"	1-1/8	3/4	3/8 REAM x 7/8 DP	1/2
UDB-945586	2"	1-1/8	3/4	3/8 - 16 TAP THRU	1/2
UDB-945590	2"	1-1/8	3/4	3/8 - 16 TAP x 7/8 DP	1/2
UDB-945591	2"	1-1/8	3/4	1/2 - 13 TAP THRU	1/2
UDB-945592	2"	1-1/8	3/4	1/2 - 13 TAP x 7/8 DP	1/2
UDB-945593	2"	1-1/8	3/4	1/2 REAM x 7/8 DP	1/2
UDB-945594	2"	1-1/8	3/4	M10 TAP THRU	1/2
UDB-945595	2"	1-1/8	3/4	M10 TAP x 7/8 DP	1/2
UDB-945596	2"	1-1/8	3/4	10MM REAM x 7/8 DP	1/2
UDB-945597	2"	1-1/8	3/4	M12 TAP THRU	1/2
UDB-945598	2"	1-1/8	3/4	M12 TAP x 7/8 DP	1/2
UDB-945599	2"	1-1/8	3/4	12MM REAM x 7/8 DP	1/2
UDB-945615	2-1/2	1-1/2	1-1/8	BLANK	1/2
UDB-945620	2-1/2	1-1/2	1-1/8	3/8 REAM	1/2
UDB-945625	2-1/2	1-1/2	1-1/8	1/2 - 13 TAP x 1-1/4 DP	1/2
UDB-945626	2-1/2	1-1/2	1-1/8	1/2 - 13 TAP THRU	1/2
UDB-945630	2-1/2	1-1/2	1-1/8	1/2 REAM x 1-1/4 DP	1/2
UDB-945635	2-1/2	1-1/2	1-1/8	5/8 - 11 TAP	1/2
UDB-945636	2-1/2	1-1/2	1-1/8	5/8 - 11 TAP THRU	1/2
UDB-945637	2-1/2	1-1/2	1-1/8	5/8 REAM 1-1/4 DP	1/2
UDB-945638	2-1/2	1-1/2	1-1/8	M10 TAP THRU	1/2
UDB-945639	2-1/2	1-1/2	1-1/8	M10 TAP x 1" DP	1/2
UDB-945640	2-1/2	1-1/2	1-1/8	5/8 REAM THRU	1/2
UDB-945641	2-1/2	1-1/2	1-1/8	10MM REAM x 1" DP	1/2
UDB-945642	2-1/2	1-1/2	1-1/8	M12 TAP THRU	1/2
UDB-945643	2-1/2	1-1/2	1-1/8	M12 TAP x 1" DP	1/2
UDB-945644	2-1/2	1-1/2	1-1/8	12MM REAM x 1" DP	1/2
UDB-945645	2-1/2	2-1/4	1"	BLANK	1/2
UDB-945650	2-1/2	2-1/4	1"	1/2 - 13 TAP	1/2
UDB-945651	2-1/2	2-1/4	1"	5/8 - 11 TAP THRU	1/2
UDB-945652	2-1/2	2-1/4	1"	5/8 - 11 TAP x 1-1/8 DP	1/2
UDB-945653	2-1/2	2-1/4	1"	5/8 REAM x 1-1/8 DP	1/2
UDB-945654	2-1/2	2-1/4	1"	3/4-10 TAP THRU	1/2
UDB-945655	2-1/2	2-1/4	1"	3/4-10 TAP x 1-1/8 DP	1/2
UDB-945656	2-1/2	2-1/4	1"	3/4 REAM x 1-1/8 DP	1/2
UDB-945657	2-1/2	2-1/4	1"	M16 TAP THRU	1/2
UDB-945658	2-1/2	2-1/4	1"	M16 TAP x 1-1/8 DP	1/2
UDB-945659	2-1/2	2-1/4	1"	16MM REAM x 1-1/8 DP	1/2
UDB-945660	2-1/2	2-1/4	1"	M20 TAP x 1-1/8 DP	1/2
UDB-945661	2-1/2	2-1/4	1"	20MM REAM x 1-1/8 DP	1/2



BRIGHT ZINC PLATED CAST IRON



**Classic HAND KNOBS** are cast from fine grain Iron and Zinc Plated for protection. Or choose from our Aluminum Alloy Hand Knobs.

Select from five knob sizes with Hole Styles: Blank, Tapped, Tapped Thru and Reamed in both Metric and Inch sizes.

### UnEcon Aluminum Hand Knobs — INCH SIZES

ALUMINUM	A	B	C	D Ream	D Tap	E
UDB-945665	1-1/8	3/4	9/16		1/4 - 20	3/8
UDB-945666	1-1/8	3/4	9/16	1/4		3/8
UDB-945667	1-1/8	3/4	9/16	BLANK		3/8
UDB-945668	1-1/2	7/8	5/8		5/16 - 18	3/8
UDB-945669	1-1/2	7/8	5/8	5/16		3/8
UDB-945670	1-1/2	7/8	5/8	BLANK		3/8
UDB-945671	2"	7/8	3/4		3/8 - 16	3/8
UDB-945672	2"	7/8	3/4	5/16		3/8
UDB-945673	2"	1-1/8	3/4	3/8		3/8
UDB-945674	2"	1-1/8	3/4	BLANK		3/8
UDB-945677	2-1/2	1-1/2	1-1/8		1/2 - 13	1/2
UDB-945678	2-1/2	1-1/2	1-1/8	1/2		1/2
UDB-945679	2-1/2	1-1/2	1-1/8		5/8 - 11	1/2
UDB-945680	2-1/2	1-1/2	1-1/8	5/8		1/2
UDB-945681	2-1/2	1-1/2	1-1/8	3/8		1/2
UDB-945682	2-1/2	1-1/2	1-1/8	BLANK		1/2
UDB-945683	3"	1-3/4	1-1/4		5/8 - 11	1/2
UDB-945684	3"	1-3/4	1-1/4	5/8		1/2
UDB-945685	3"	1-3/4	1-1/4	3/4		1/2
UDB-945686	3"	1-3/4	1-1/4	BLANK		1/2
UDB-945687	3"	1-3/4	1-1/2		3/4 - 10	1/2
UDB-945688	3"	1-3/4	1-1/2	5/8		1/2
UDB-945689	3"	1-3/4	1-1/2	3/4		1/2
UDB-945690	3"	1-3/4	1-1/2	BLANK		1/2

# Hinge Clamp Assemblies

# Hinge Clamps with Swivel Screw Pads

## HINGE CLAMP ASSEMBLIES



PAD 'B'

HINGE DOWN



PAD 'D'

HINGE OUT



PAD 'A'

HINGE UP

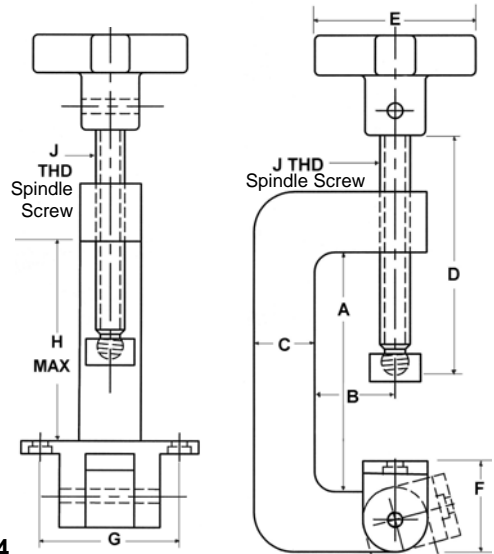
FOR ADDITIONAL SIZES OR PADS, SEE SWIVEL PADS IN THIS SECTION.

### UNITED HINGE CLAMPS have it

Their 'U' Base allows excellent edge clamp depth. The Clamp Pad moves up, down and out as required. The pad holes which fit No. 10 Socket Head Screws secure any desired mounting position.

The clamp threaded spindle bodies accept any of the feet shown below. The spindle ball and foot are threaded to allow easy installation and removal. Once their left handed threads clear the foot, the pads pivot and rotate freely.

These new improved clamps with hinged mounting pads and swivel screw spindles have pads that move fast and clear the work piece when released. The clamp feet stop swivel rotation on pressure contact with the work piece.



### PADS



Additional spindle screws and swivel feet are available separately: See pages I-10, I-4.

SHADED ROWS BELOW ARE COMPLETE ASSEMBLIES. FOR KNOBS & OTHER COMPONENTS, SEE SECTION J.

					<b>CAST IRON KNOB IS CADMIUM PLATED.</b> <b>ALL OTHER PARTS ARE TOUGH HEAT TREATED STEEL WITH BLACK OXIDE FINISH.</b> <b>See Page I-4 for Assembly Foot Pad dimensions.</b>								
P COMPLETE ASSEMBLY Spindle has DOG POINT	A COMPLETE ASSEMBLY * FOOT PAD ONLY	B COMPLETE ASSEMBLY * FOOT PAD ONLY	C COMPLETE ASSEMBLY * FOOT PAD ONLY	D COMPLETE ASSEMBLY * FOOT PAD ONLY	A THROAT	B SPINDLE BODY	C FRAME	D SPINDLE LEN	E KNOB	F HINGE HT	G HINGE	H MAX TRAVEL	J THD SPINDLE SCREW
UDB-921350P	UDB-921350A	UDB-921350B	UDB-921350C	UDB-921350D	2"	3/4	1/2	2"	1-1/2	7/8	1-1/2	1-1/4	5/16-18
PAD ONLY →	* UDB-930355	* UDB-952435	* UDB-952460	* UDB-952485	BALL SCREW THREAD 'T' IS 12-28-LH								
UDB-921355P	UDB-921355A	UDB-921355B	UDB-921355C	UDB-921355D	2-1/2	3/4	1/2	2-1/2	1-1/2	7/8	1-1/2	1-3/4	5/16-18
PAD ONLY →	* UDB-930355	* UDB-952435	* UDB-952460	* UDB-952485	BALL SCREW THREAD 'T' IS 12-28-LH								
UDB-921360P	UDB-921360A	UDB-921360B	UDB-921360C	UDB-921360D	2-1/2	1"	5/8	2-1/2	2"	1"	1-3/4	1-5/8	3/8-16
PAD ONLY →	* UDB-930360	* UDB-952440	* UDB-952465	* UDB-952490	BALL SCREW THREAD 'T' IS 1/4-28-LH								
UDB-921365P	UDB-921365A	UDB-921365B	UDB-921365C	UDB-921365D	3"	1"	5/8	3"	2"	1"	1-3/4	2-1/8	3/8-16
PAD ONLY →	* UDB-930360	* UDB-952440	* UDB-952465	* UDB-952490	BALL SCREW THREAD 'T' IS 1/4-28-LH								
UDB-921370P	UDB-921370A	UDB-921370B	UDB-921370C	UDB-921370D	3-1/2	1"	5/8	3-1/2	2"	1"	1-3/4	2-5/8	3/8-16
PAD ONLY →	* UDB-930360	* UDB-952440	* UDB-952465	* UDB-952490	BALL SCREW THREAD 'T' IS 1/4-28-LH								

# Adjustable Torque Head Screw Assembly with Removable

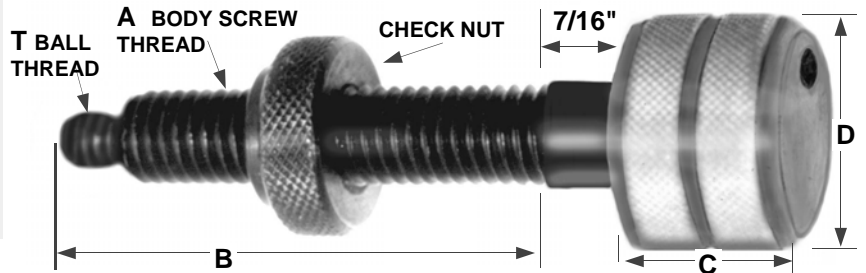
Adj. Torque Screws  
Removable Pads

## ADJUSTABLE TORQUE HEAD SCREW ASSEMBLIES

ALLOY STEEL – CASE-HARDENED — BLACK OXIDE FINISH SCREW BODY  
HARD ANODIZED ALUMINUM TORQUE HEAD — ALLOY STEEL INSERTS  
PRECISION SPINDLE AND CHECK NUTS — WEAREVER MINIATURE SPRINGS

**UNITED'S ADJUSTABLE TORQUE HEAD ASSEMBLIES are the STRONGEST!**

The **ADDITIONAL 7/16" LONG O.D. SUPPORTING the SPINDLE ASSURES the PRECISION TORQUE TOOL'S LONGER LIFE.**



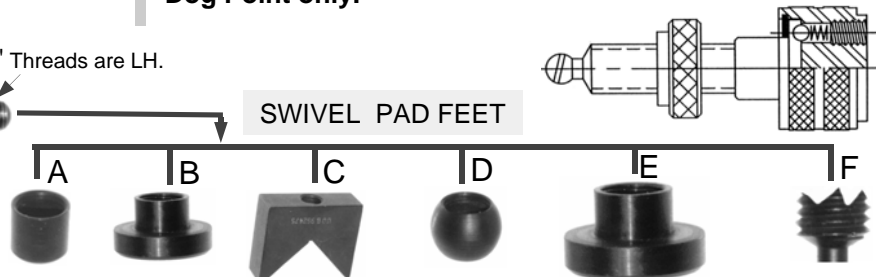
Use **UNITED ADJUSTABLE TORQUE HEAD SWIVEL SCREWS** with **REMOVABLE PADS** wherever controlled end pressure is required for holding parts against the drive or cutting tools. Preset pressure prevents over clamping and part distortion while providing positive, repeatable clamping forces.

Insert a 1/8" Hex Key Wrench into the top of the Torque Head. Increase the pressure by turning your **UNITED Hex Ball Wrench** clockwise (to the right). Decrease pressure by turning to the left.

Over tightening is eliminated! **UNITED'S** Adjustable Torque Head Swivel Screw Head rotates freely when reaching the preset end pressure. The positive backing off action expedites unloading operations.

Our 'T' Foot Internal Thread and our Spindle External Ball Thread are threaded left hand to allow easy insertion and removal. The left hand thread is a positive back-out prevention safety feature. The Screw Body 'A' Thread, listed in column A, is right hand.

When our Feet clear during installation, they rotate freely. Currently we provide 10-24 and 10-32 threads in Dog Point only.



ADJUSTABLE TORQUE SCREW BODIES					ASSEMBLY NUMBER WITH PAD STYLES SHOWN ABOVE					
PART NO.	A	B	C	D	A PAD	B PAD	C PAD	D PAD	E PAD	F DOG POINT
UDB-953340	#10-24	1-1/4	7/8	7/8	—	—	—	—	—	UDB-953340F
UDB-953342	#10-32	1-1/4	—	—	—	—	—	—	—	UDB-953342F
UDB-953343	1/4-20	31/32	—	—	UDB-953343A	UDB-953343B	UDB-953343C	UDB-953343D	—	UDB-953343F
UDB-953345	BALL THD is	1-15/32	7/8	7/8	UDB-953345A	UDB-953345B	UDB-953345C	UDB-953345D	—	UDB-953345F
UDB-953347		1-31/32	—	—	UDB-953347A	UDB-953347B	UDB-953347C	UDB-953347D	—	UDB-953347F
UDB-953349	8-36-LH	2-31/32	—	—	UDB-953349A	UDB-953349B	UDB-953349C	UDB-953349D	—	UDB-953349F
UDB-953351	5/16-18	31/32	—	—	UDB-953351A	UDB-953351B	UDB-953351C	UDB-953351D	—	UDB-953351F
UDB-953353		1-15/32	7/8	1-1/4	UDB-953353A	UDB-953353B	UDB-953353C	UDB-953353D	—	UDB-953353F
UDB-953355	BALL THD is	1-31/32	—	—	UDB-953355A	UDB-953355B	UDB-953355C	UDB-953355D	—	UDB-953355F
UDB-953357		12-28-LH	2-31/32	—	UDB-953357A	UDB-953357B	UDB-953357C	UDB-953357D	—	UDB-953357F
UDB-953359	3/8-16	1-7/16	—	—	UDB-953359A	UDB-953359B	UDB-953359C	UDB-953359D	—	UDB-953359F
UDB-953361		1-15/16	7/8	1-1/4	UDB-953361A	UDB-953361B	UDB-953361C	UDB-953361D	—	UDB-953361F
UDB-953363	BALL THD is	2-15/16	—	—	UDB-953363A	UDB-953363B	UDB-953363C	UDB-953363D	—	UDB-953363F
UDB-953365		1/4-28-LH	3-15/16	—	UDB-953365A	UDB-953365B	UDB-953365C	UDB-953365D	—	UDB-953365F
UDB-953367	1/2-13	1-7/16	—	—	UDB-953367A	UDB-953367B	UDB-953367C	UDB-953367D	UDB-953367E	UDB-953367F
UDB-953369		1-15/16	7/8	1-1/4	UDB-953369A	UDB-953369B	UDB-953369C	UDB-953369D	UDB-953369E	UDB-953369F
UDB-953371	BALL THD is	2-15/16	—	—	UDB-953371A	UDB-953371B	UDB-953371C	UDB-953371D	UDB-953371E	UDB-953371F
UDB-953373		5/16-24-LH	3-15/16	—	UDB-953373A	UDB-953373B	UDB-953373C	UDB-953373D	UDB-953373E	UDB-953373F
UDB-953375	5/8-11	1-15/16	—	—	UDB-953375A	UDB-953375B	UDB-953375C	UDB-953375D	UDB-953375E	UDB-953375F
UDB-953377		2-15/16	7/8	1-1/4	UDB-953377A	UDB-953377B	UDB-953377C	UDB-953377D	UDB-953377E	UDB-953377F
UDB-953379	BALL THD is	3-15/16	—	—	UDB-953379A	UDB-953379B	UDB-953379C	UDB-953379D	UDB-953379E	UDB-953379F
UDB-953381		7/16-20-LH	4-15/16	—	UDB-953381A	UDB-953381B	UDB-953381C	UDB-953381D	UDB-953381E	UDB-953381F