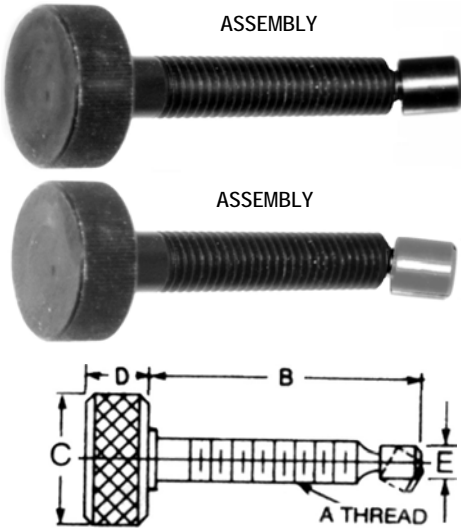


**Screws — Toggle,
Knurled & Torque**

Knurled Head Screws Toggle and Torque Head Screws

KNURLED HEAD TOGGLE SCREWS



Swivel is 40 degrees in any direction. The O.D. of the pad is smaller than the major pitch diameter allowing the pad to pass thru a threaded hole without disassembling.

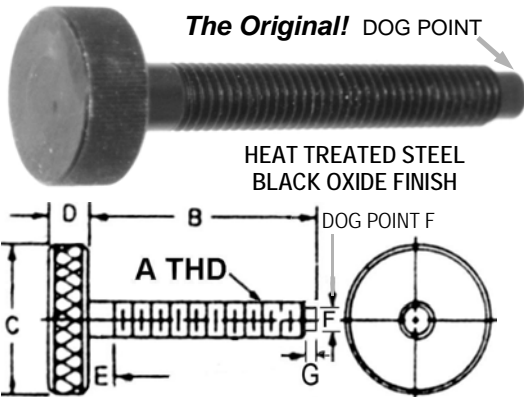
HEAT TREATED STEEL
BLACK OXIDE FINISH

UNITED KNURLED HEAD TOGGLE SCREWS have ball bearing Swivel Pads that securely clamp parts with off angle surfaces. Marring or damaging of work piece surface is eliminated. The ball construction eliminates binding and absorbs screw torque.

STEEL PAD	NYLON PAD	A THD	B	C	D	E	LOAD PRESSURE	PAD PART NO.	KNOB PART NO.
UDB-952005	UDB-952007	1/4-20	1-1/2	7/8	5/16	.185	900 LBS	UDB-952430	UDB-120491
UDB-952010	UDB-952012		2"						
UDB-952015	UDB-952017	5/16-18	1-1/2	7/8	5/16	.240	2290 LBS	UDB-952435	UDB-120485
UDB-952020	UDB-952022		2"						
UDB-952025	UDB-952027		2-1/2						
UDB-952030	UDB-952032	3/8 - 16	1-1/2	1"	3/8	.293	3340 LBS	UDB-952440	UDB-120481
UDB-952035	UDB-952037		2"						
UDB-952040	UDB-952042		2-1/2						
UDB-952045	UDB-952047		3"						
UDB-952050	UDB-952052	1/2-13	1-1/2	1"	3/8	.400	7300 LBS	UDB-952445	UDB-120463
UDB-952055	UDB-952057		2"						
UDB-952060	UDB-952062		2-1/2						
UDB-952065	UDB-952067		3"						

KNURLED HEAD SCREWS

For Stainless, add 'SS' to P/N.



The Original! DOG POINT

HEAT TREATED STEEL
BLACK OXIDE FINISH

KNURLED HEAD SCREWS provide light duty clamping finger tight. The tips are relieved to protect the end threads from damage should theypeen.
NO PAD

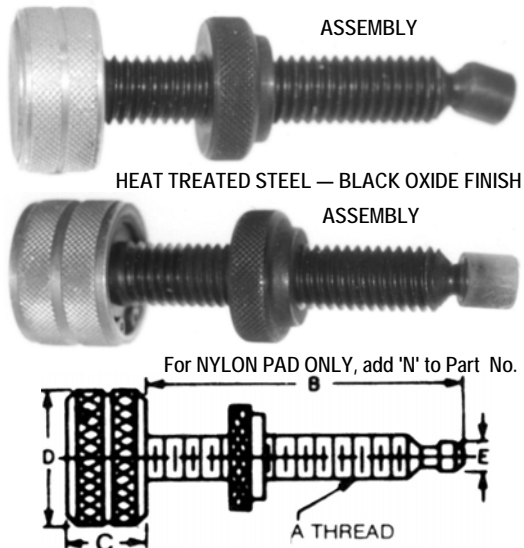
PART NO.	A	B	C	D	E	F	G	KNOB
UDB-930400	10-24	1"	3/4	1/4	1/4	1/8	3/32	UDB-120522
UDB-930405		1-1/2			1/4	1/8	3/32	
UDB-930410		2"			1/4	1/8	3/32	
UDB-930415	1/4-20	1-1/2	1"	5/16	1/4	5/32	1/8	UDB-120250
UDB-930420		2"			1/4	5/32	1/8	
UDB-930425		2-1/2			1/4	5/32	1/8	
UDB-930430	5/16-18	1-1/2	1-1/8	3/8	1/4	13/64	5/32	UDB-120251
UDB-930435		2"			1/4	13/64	5/32	
UDB-930440		2-1/2			1/4	13/64	5/32	
UDB-930445	3/8 - 16	2"	1-1/4	7/16	1/4	1/4	3/16	UDB-120252
UDB-930450		2-1/2			1/4	1/4	3/16	
UDB-930455		3"			1/4	1/4	3/16	
UDB-930460	1/2-13	3"	1-1/4	1/2	1/4	11/32	1/4	UDB-120253
UDB-930465		3-1/2			1/4	11/32	1/4	

TORQUE HEAD SCREWS WITH TOGGLE PADS

UNITED TORQUE HEAD SCREWS WITH TOGGLE PADS combine torque limiting control with ball bearing SWIVEL PADS. They provide positive repeatable end pressure.

Ideal for applications where controlled end pressure is essential.

When the end pressure is achieved the head screw freely turns and prevents over tightening. Part damage and deflection are eliminated. The pad swivels 40 degrees in any direction without marring or damaging work surface. Fixture loading and unloading is simplified. The swivel pad passes thru tapped hole. They cannot be over tightened.



HEAT TREATED STEEL — BLACK OXIDE FINISH

For NYLON PAD ONLY, add 'N' to Part No.

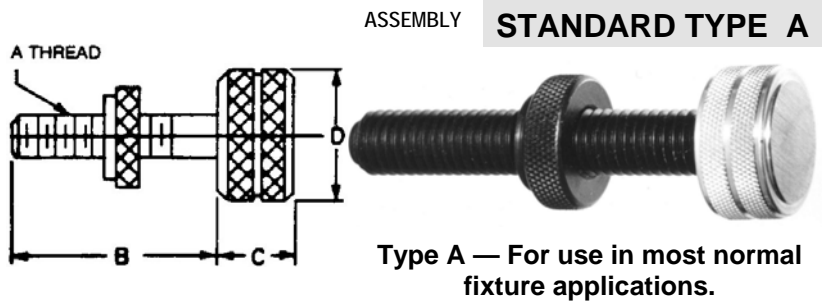
PLAIN HEAD							END PRESSURE IN LBS.	PAD ONLY PART NO.	CHECK NUT PART NO.
STEEL PAD	NYLON PAD	A	B	C	D	E			
UDB-953210	UDB-953212	1/4-20	2-1/4	1/2	7/8	.185	12-14	UDB-952405	UDB-955105
UDB-953220	UDB-953222	5/16-18	2-1/4	1/2	7/8	.240	14-16	UDB-952410	UDB-955110
UDB-953230	UDB-953232	3/8 - 16	2-1/4	9/16	1-1/8	.293	16-18	UDB-952415	UDB-955115
UDB-953240	UDB-953242	1/2-13	3"	9/16	1-1/8	.400	18-20	UDB-952415	UDB-955120
ADJUSTABLE HEAD							END PRESSURE IN LBS.	PAD ONLY PART NO.	CHECK NUT PART NO.
STEEL PAD	NYLON PAD	A	B	C	D	E			
UDB-953250	UDB-953252	3/8 - 16	1-3/4	25/32	1-1/8	.293	0-50	UDB-952415	UDB-955115
UDB-953255	UDB-953257	3/8 - 16	3"	25/32	1-1/8	.293	0-50		
UDB-953260	UDB-953262	1/2-13	1-3/4	25/32	1-1/8	.400	0-50	UDB-952420	UDB-955120
UDB-953265	UDB-953267	1/2-13	3"	25/32	1-1/8	.400	0-50		

Controlled Positioning with Torque Screws

Torque Screw Assemblies

PART NO.	A	B	C	D	LBS. END PRESSURE
UDB-953005	10 - 32	1-1/4	1/2	7/8	10—12
UDB-953010	1/4 - 20	1-3/4	1/2	7/8	12—14
UDB-953015	1/4 - 20	2-1/2	1/2	7/8	12—14
UDB-953020	5/16 - 18	1-3/4	1/2	7/8	14—16
UDB-953025	5/16 - 18	2-1/4	1/2	7/8	14—16
UDB-953030	5/16 - 18	3	1/2	7/8	14—16
UDB-953035	3/8 - 16	1-3/4	1/2	1-1/8	16—18
UDB-953040	3/8 - 16	2-1/4	1/2	1-1/8	16—18
UDB-953045	3/8 - 16	3	1/2	1-1/8	16—18
UDB-953050	1/2 - 13	1-3/4	1/2	1-1/8	18—20
UDB-953055	1/2 - 13	2-1/4	1/2	1-1/8	18—20
UDB-953065	1/2 - 13	3	1/2	1-1/8	18—20
UDB-953070	1/2 - 13	3-1/2	1/2	1-1/8	18—20
UDB-953075	5/8 - 11	1-3/4	1/2	1-1/8	20—22
UDB-953080	5/8 - 11	3	1/2	1-1/8	20—22

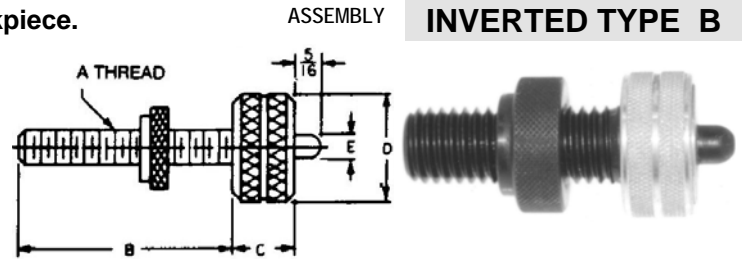
UNITED Torque Screws are for use where controlled end pressure is required for holding parts against the drive of cutting tools. Over-tightening is eliminated. The heads rotate when the pre-set end pressure is reached. Positive backing off action expedites unloading operations.



Type B — Applies reverse holding support for workpiece.

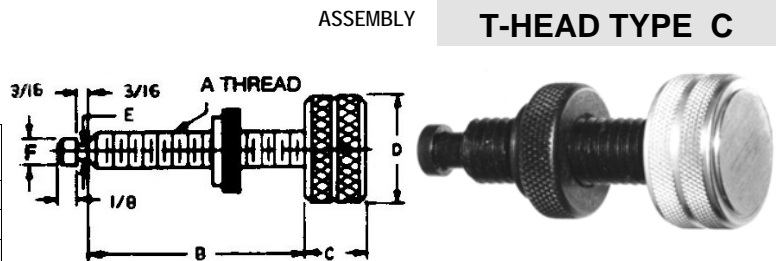
Ideal for limited space.

PART NO.	A	B	C	D	E	LBS. END PRESSURE
UDB-953105	1/4 - 20	1-3/4	7/16	7/8	5/32	12—14
UDB-953110	3/8 - 16	1-3/4	7/16	7/8	5/16	16—18
UDB-953115	1/2 - 13	1-3/4	1/2	1-1/8	5/16	18—20
UDB-953120	5/8 - 11	1-3/4	1/2	1-1/8	5/16	20—22



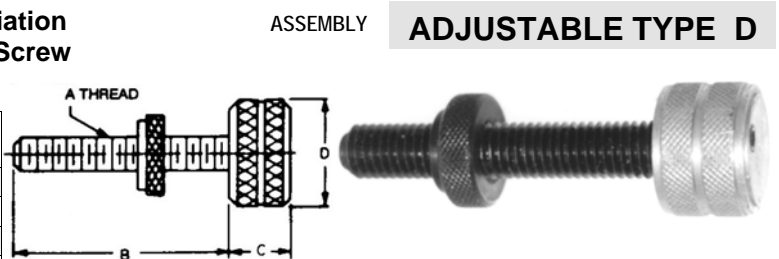
Type C — Used with sliding V-Blocks.

PART NO.	A	B	C	D	E	F
UDB-953175	1/4 - 20	1-3/4	1/2	7/8	.093	.184
UDB-953180	3/8 - 16	1-3/4	1/2	1-1/8	.174	.290
UDB-953185	1/2 - 13	1-3/4	1/2	1-1/8	.276	.396



Type D — Hex wrench adjustment allows for variation in holding pressures. This versatile Adjustable Screw holds either fragile or heavy work pieces.

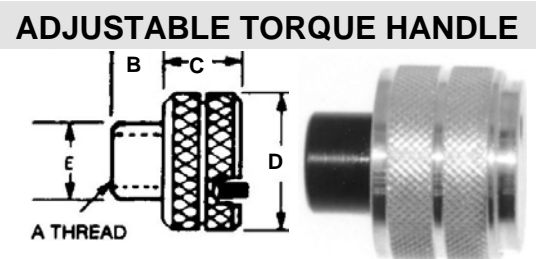
PART NO.	A	B	C	D	LBS. END PRESSURE
UDB-953140	3/8 - 16	1-3/4	21/32	1-3/16	5—50
UDB-953145	3/8 - 16	3	21/32	1-3/16	5—50
UDB-953150	1/2 - 13	1-3/4	21/32	1-3/16	5—50
UDB-953155	1/2 - 13	3	21/32	1-3/16	5—50



Adjustable Torque Handle — Has a simple hex wrench head adjustment, permitting holding pressures to vary as needed. Minimum adjustment is 15 lbs.

PART NO.	A	B	C	D	E
UDB-955150	5/16 - 18	7/16	7/8	1-1/4	5/8
UDB-955155	3/8 - 16	7/16	7/8	1-1/4	5/8
UDB-955160	1/2 - 13	7/16	7/8	1-1/4	5/8

Handle is aluminum with hardened steel insert.

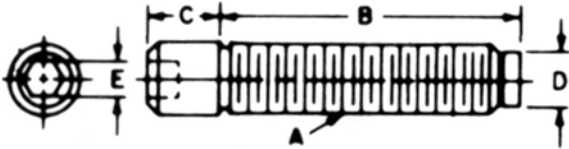
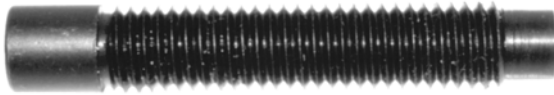


Swivel Screws

Head / Headless Swivel Screws, Hex Socket Toggle Screws

HEX HEAD SWIVEL SCREWS

ASSEMBLY



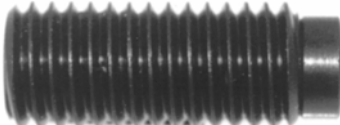
UNITED SOCKET DRIVE HEAD SWIVEL SCREWS prevent marring of work piece because the pad does not rotate.

HEAT TREATED — BLACK OXIDE

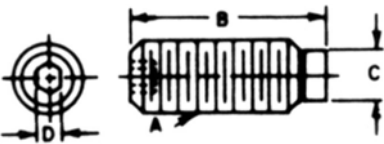
STEEL PART NO.	A THD	B	C	D	E HEX	PAD NO.
UDB-930900	1/4-20	5/8	1/4	3/16	1/8	UDB-120319
UDB-930905		1"				
UDB-930910		1-1/4				
UDB-930915	5/16-18	3/4	5/16	15/64	5/32	UDB-120320
UDB-930920		1-1/4				
UDB-930925		1-1/2				
UDB-930930	3/8 - 16	1"	3/8	9/32	3/16	UDB-120321
UDB-930935		1-1/4				
UDB-930940		1-1/2				
UDB-930945		2"				
UDB-930950	1/2-13	1-1/2	1/2	25/64	1/4	UDB-120322
UDB-930955		2"				
UDB-930960		2-1/2				
UDB-930965	5/8-11	2"	1/2	1/2	5/16	UDB-120323
UDB-930970		2-1/2				
UDB-930975		3"				
UDB-930980	3/4-10	2-1/2	3/4	39/64	3/8	UDB-120324
UDB-930985		3"				
UDB-930990		3-1/2				

HEX HEADLESS SWIVEL SCREWS

ASSEMBLY



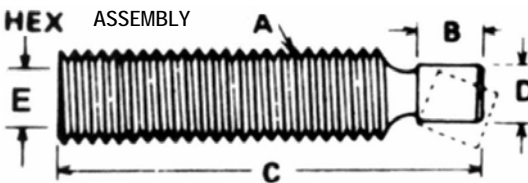
HEAT TREATED
BLACK OXIDE



PART NO.	A THD	B	C	D HEX	PAD PART NO.
UDB-930800	1/4-20	3/4	3/16	1/8	UDB-120319
UDB-930805		1"			
UDB-930810	5/16-18	3/4	15/64	5/32	UDB-120320
UDB-930815		1"			
UDB-930820	3/8 - 16	1"	9/32	3/16	UDB-120321
UDB-930825		1-1/4			
UDB-930830	1/2-13	1"	25/64	1/4	UDB-120322
UDB-930835		1-1/4			
UDB-930840	5/8-11	1"	1/2	5/16	UDB-120323
UDB-930845		1-1/2			

HEX SOCKET TOGGLE SCREWS

Steel Pads and Nylon Pads



UNITED BALL BEARING SWIVEL PAD HEX SOCKET SCREWS securely clamp parts with off angle surfaces. Marring or damaging of work piece surface is eliminated. The ball construction eliminates binding and absorbs screw torque. Swivel is 20 degrees in any direction. The O.D. of the pad is smaller than the major pitch diameter allowing the pad to pass thru a threaded hole without disassembling.

HEAT TREATED — BLACK OXIDE

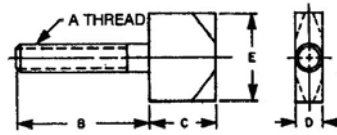
STEEL PAD ASSEMBLY NO.	NYLON PAD ASSEMBLY NO.	A THD	B	C	D	E HEX	LOAD PRESSURE	PAD UDB PART NO.	T LH THD
UDB-952100	UDB-952102	10-32	1/8	1/2	.146	3/32	500 LBS	UDB-	#4-48 LH
UDB-952105	UDB-952107	1/4-20	3/16	1/2	.185	1/8	900 LBS	UDB-952403	#8-36 LH
UDB-952110	UDB-952112			3/4					
UDB-952115	UDB-952117			1"					
UDB-952120	UDB-952122			1-1/2					
UDB-952125	UDB-952127	5/16-18	15/64	3/4	.240	5/32	2290 LBS	UDB-952410	12-28 LH
UDB-952130	UDB-952132			1"					
UDB-952135	UDB-952137			1-1/4					
UDB-952140	UDB-952142			1-1/2					
UDB-952145	UDB-952147	3/8 - 16	9/32	2"	.293	3/16	3340 LBS	UDB-952415	1/4-28 LH
UDB-952150	UDB-952152			3/4					
UDB-952155	UDB-952157			1"					
UDB-952160	UDB-952162			1-1/2					
UDB-952165	UDB-952167	1/2-13	3/8	2"	.400	1/4	7300 LBS	UDB-952420	5/16-24 LH
UDB-952170	UDB-952172			3/4					
UDB-952175	UDB-952177			1"					
UDB-952180	UDB-952182			1-1/2					
UDB-952185	UDB-952187	5/8-11	7/16	2"	.506	5/16	11700 LBS	UDB-952425	7/16-24 LH
UDB-952190	UDB-952192			2-1/2					
UDB-952195	UDB-952197			3"					
UDB-952200	UDB-952202			2"					
UDB-952205	UDB-952207	3/4-10	13/32	2-1/2	.625	3/8	15000 LBS	UDB-952428	7/16-20 LH
UDB-952210	UDB-952212			3"					
UDB-952215	UDB-952217			2-1/2					
UDB-952220	UDB-952222	3/4-10	13/32	3"	.625	3/8	15000 LBS	UDB-952428	7/16-20 LH
UDB-952225	UDB-952227			3-1/2					

Adjust and Lock Quickly Screw & Bolt Assortment

Quarter, Half, Jack &
Locating Screws - Jig
Latch & Swing Bolts

PART NO.	A	B	C	D	E
UDB-930610	10 - 32	1	1/2	3/16	1/2
UDB-930612		1-1/2			
UDB-930615	1/4 - 20	1-1/4	5/8	1/4	3/4
UDB-930617		1-3/4			
UDB-930620	5/16 - 18	1-1/2	3/4	5/16	1
UDB-930622		2			
UDB-930625	3/8 - 16	1-1/2	1	3/8	1
UDB-930627		2			
UDB-930630	1/2 - 13	1-3/4	1	1/2	1-1/4
UDB-930632		2-1/4			

CHAMFERS ALIGN QUARTER TURN SCREWS WITH PLATE LATCH SLOTS. ROTATE ONE QUARTER TURN TO ENGAGE LIDS AND COVERS OR TO SWING AWAY ARMS. MATERIAL IS LEFT SOFT FOR EASE OF MACHINEABILITY. BLACK OXIDE FINISH.

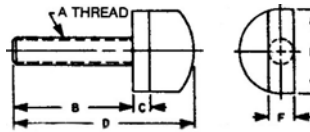


QUARTER TURN SCREWS



HALF TURN SCREWS ARE USED FOR POSITIVE LOCKING OF LEAF AND JIG PLATES. ROTATE ONE HALF TURN TO ENGAGE. MATERIAL IS LEFT SOFT FOR EASE OF MACHINEABILITY. BLACK OXIDE FINISH.

PART NO.	A	B	C	D	E	F
UDB-930700	10 - 32	1	3/16	1-11/16	3/4	3/16
UDB-930705	1/4 - 20	1-1/4	3/16	2	3/4	1/4
UDB-930710	5/16 - 18	1-1/4	3/16	2-1/16	1	5/16
UDB-930715	3/8 - 16	1-3/4	1/4	2-11/16	1-1/16	3/8
UDB-930720	1/2 - 13	1-3/4	1/4	2-3/4	1-1/4	1/2

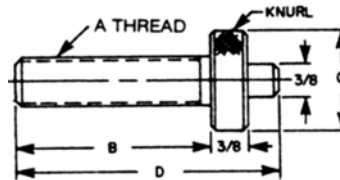


HALF TURN SCREWS



JACK SCREWS SUPPORT WORK PIECES AND ARE IDEALLY SUITED FOR IRREGULAR SHAPES. USE OF JACK SCREWS FOR WORK PIECE SUPPORT HELP TO ELIMINATE MACHINING DISTORTION. MATERIAL IS 12L14 STEEL, HEAT TREATED WITH BLACK OXIDE FINISH.

PART NO.	A	B	C	D
UDB-930500	3/8 - 16	1-1/4	1-1/8	1-7/8
UDB-930510		1-5/8		2-1/4
UDB-930515		2		2-5/8
UDB-930520	1/2 - 13	1-1/4	1-1/8	1-7/8
UDB-930525		1-5/8		2-1/4
UDB-930530		2		2-5/8
UDB-930535		2-1/2		3-1/8
UDB-930540	5/8-11	1-5/8	1-3/8	2-1/4
UDB-930545		2		2-5/8
UDB-930550		2-1/2		3-1/8

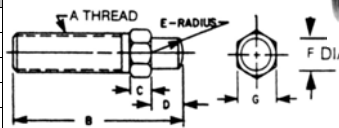


JACK SCREWS



ADJUSTABLE LOCATING SCREW OR ADJUSTABLE LOCATING BUTTONS POSITION WORK PIECE ACCURATELY IN A JIG OR FIXTURE. THEY ARE COMMONLY USED AS LEVELING SCREWS. HEAT TREATED BLACK OXIDE FINISH.

PART NO.	A	B	C	D	E	F	G
UDB-930575	10 - 32	1	1/8	1/8	1/8	3/16	1/4
UDB-930580	1/4 - 28	1-1/2	3/16	3/16	3/16	1/4	3/8
UDB-930585	3/8 - 24	2	1/4	1/4	1/4	3/8	1/2
UDB-930590	1/2 - 20	2-1/2	5/16	5/16	5/16	1/2	5/8
UDB-930595	5/8 - 18	3	3/8	3/8	3/8	5/8	3/4

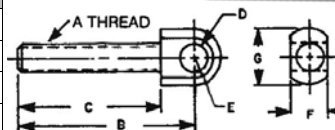


ADJUSTABLE LOCATING SCREWS



JIG LATCH BOLTS PREVENT OBSTRUCTION BY SWINGING OUT OF POSITION WHEN UNLOCKED. MADE OF HIGH TENSILE STEEL AND HEAT TREATED TO PROVIDE MAXIMUM STRENGTH. BLACK OXIDE FINISH.

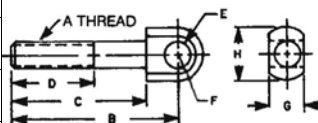
PART NO.	A	B	C	D	E	F	G
UDB-932850	1/4 - 20	2-5/8	2-5/16	.257	1/4	1/4	1/2
UDB-932855	5/16 - 18	3-13/16	3-13/16	.323	5/16	5/16	5/8
UDB-932860	3/8 - 16	3-3/4	3-5/16	.385	3/8	3/8	3/4
UDB-932865	1/2 - 13	4-7/8	4-5/16	.515	1/2	1/2	1



JIG LATCH BOLTS



PART NO.	A	B	C	D	E	F	G	H
UDB-932700	1/4 - 20	1-1/2	1-3/16	3/4	1/4	1/4	5/16	1/2
UDB-932710		2-1/2	2-3/16	1-1/4				
UDB-932720	5/16 - 18	2	1-5/8	1	5/16	5/16	3/8	5/8
UDB-932730		3	2-5/8	1-3/8				
UDB-932740	3/8 - 16	2-1/2	2	1-3/8	3/8	3/8	1/2	3/4
UDB-932750		3-1/2	3	2				
UDB-932760	1/2 - 13	3-1/8	2-1/2	1-3/4	1/2	1/2	5/8	1
UDB-932770		4-1/8	3-1/2	2-1/4				
UDB-932780	5/8 - 11	3-1/2	2-3/4	1-3/4	5/8	5/8	3/4	1-1/4
UDB-932790		4-3/4	4	2-1/2				
UDB-932800	3/4 - 10	4-1/2	3-5/8	2	3/4	3/4	7/8	1-1/2
UDB-932810		6	5-1/8	3				



SWING BOLTS, ALSO CALLED LATCH BOLTS, SWING OUT OF POSITION WHEN UNLOCKED AND AVOID BECOMING AN OBSTRUCTION. HEAT TREATED STEEL. BLACK OXIDE FINISH.

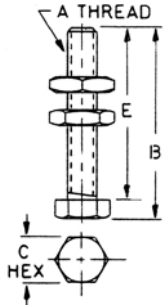
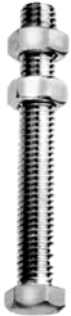
SWING BOLTS



Clamp Support Assemblies

Clamp Assemblies for Rest, Center, Rear and Spindle Support

ADJUSTABLE SPINDLES

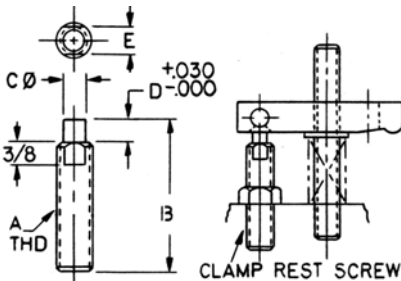


TOUGH DURABLE MULTI-PURPOSE SPINDLE HAS BOLT FULLY THREADED FOR MAXIMUM ADJUSTMENT. ALSO USED WITH TOGGLE CLAMPS.

CARBON STEEL ZINC PLATED REFER TO SECTION G9.

UNITED ADJUSTABLE SPINDLES	SIZE	A THD	B OAL	C HEX	E LENGTH UNDER HD
UCC-700050	SMALL	5/16-18	2-11/16	1/2	2-1/2
UCC-700052	MEDIUM	3/8-16	3-1/4	9/16	3
UCC-700054	STANDARD	1/2-13	3-5/16	3/4	3
UCC-700056	HEAVY	5/8-11	4-3/8	15/16	4

CLAMP REST SCREWS



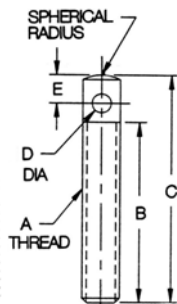
DESIGNED FOR DRILL, SPOT, HEEL, SWIVEL HEEL, REAR SUPPORT AND TAPPED HEEL CLAMPS.

REFER TO SECTION G9.

CARBURIZED AND HARDENED 12L14 STEEL BLACK OXIDE FINISH

PART NO.	A	B	C	D	E
UDB-932261		2"			
UDB-932262	3/8-16	2-1/2	.250	.313	1/4
UDB-932263		3"			
UDB-932264		2"			
UDB-932265	1/2-13	2-1/2	.344	.313	3/8
UDB-932266		3"			

CLAMP SCREWS — REAR SUPPORT



STEEL and STAINLESS REAR SUPPORT CLAMP SCREWS WITH SPHERICAL HEADS GIVE SOLID INSTANT LOW COST SUPPORT.

DRILL HOLE ALLOWS TURNING WITH A PIN. USE UP OR DOWN.

12L14 STEEL and 300 SERIES STAINLESS HEAT TREATED BLACK OXIDE FINISH REFER TO SECTION G19.

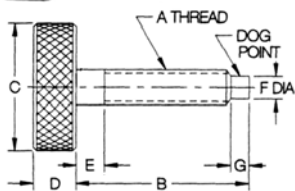
STEEL	STAINLESS	A THD	B	C	D DIA	E
UDB-930670	UDB-930670S		1/2	3/4		
UDB-930672	UDB-930672S	#10-32	3/4	1"	3/32	1/8
UDB-930674	UDB-930674S		1-1/4	1-1/2		
UDB-930676	UDB-930676S		11/16	1"		1/8
UDB-930678	UDB-930678S	1/4 - 20	1-3/16	1-1/2	1/8	3/16
UDB-930680	UDB-930680S		1-7/16	1-3/4		1/4
UDB-930682	UDB-930682S		7/8	1-1/4		
UDB-930684	UDB-930684S	5/16-18	1-1/8	1-1/2	5/32	3/16
UDB-930686	UDB-930686S		1-5/8	2"		
UDB-930688	UDB-930688S		1-1/8	1-1/2		
UDB-930690	UDB-930690S	3/8 - 16	1-3/8	1-3/4	3/16	3/16
UDB-930692	UDB-930692S		2-3/8	2-3/4		

KNURLED HEX SOCKET SCREWS



KNURLED HEX SOCKET HEAD REFER TO SECTION G19.

STEEL and STAINLESS KNURLED HEX SOCKET HEAD SCREWS ALLOW FINGER TIGHTENING FOR LIGHT CLAMPING.



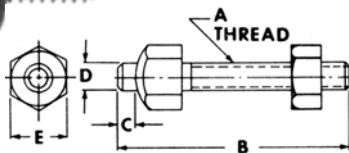
STEEL PART NO.	STAINLESS PART NO.	A THD SIZE	B LENGTH	C DIA	D HD THICK	E RELIEF LEN	F DOG POINT DIA	G POINT LENGTH
UDB-923200	UDB-923200S	#10-32	3/4	1/2	3/16	1/8	1/8	3/32
UDB-923202	UDB-923202S	#10-32	1"	1/2	3/16	1/8	1/8	3/32
UDB-923204	UDB-923204S	#10-32	1-1/4	1/2	3/16	1/8	1/8	3/32
UDB-923206	UDB-923206S	#10-32	1-1/2	1/2	3/16	1/8	1/8	3/32
UDB-923208	UDB-923208S	1/4-20	3/4	1"	5/16	1/8	5/32	1/8
UDB-923210	UDB-923210S	1/4-20	1"	1"	5/16	1/8	5/32	1/8
UDB-923212	UDB-923212S	1/4-20	1-1/4	1"	5/16	1/8	5/32	1/8
UDB-923214	UDB-923214S	1/4-20	1-1/2	1"	5/16	1/8	5/32	1/8
UDB-923216	UDB-923216S	1/4-20	2"	1"	5/16	1/8	5/32	1/8
UDB-923218	UDB-923218S	5/16-18	1-1/2	1-1/8	3/8	3/16	13/64	5/32
UDB-923220	UDB-923220S	5/16-18	2"	1-1/8	3/8	3/16	13/64	5/32
UDB-923222	UDB-923222S	5/16-18	2-1/2	1-1/8	3/8	3/16	13/64	5/32
UDB-923224	UDB-923224S	3/8 - 16	2"	1-1/4	7/16	3/16	1/4	1/4
UDB-923226	UDB-923226S	3/8 - 16	2-1/2	1-1/4	7/16	3/16	1/4	1/4
UDB-923228	UDB-923228S	3/8 - 16	3"	1-1/4	7/16	3/16	1/4	1/4

CLAMP RESTS



Heat Treated Black Oxide Finish

REFER TO SECTION G12.

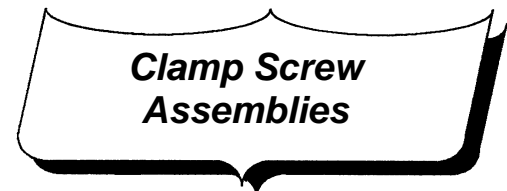


USE CLAMP RESTS WITH SINGLE END CLAMP ASSEMBLIES.

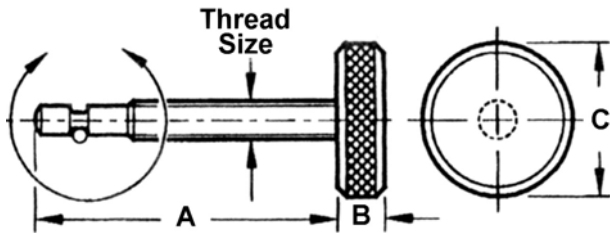
For matching single end clamp straps, refer to Clamp Assemblies.

PART NO.	A	B	C	D	E
UDB-932200	1/4-20	1-1/4	1/8	5/32	7/16
UDB-932205	5/16-18	1-7/8	11/64	7/32	1/2
UDB-932210	5/16-18	3-1/4	11/64	7/32	1/2
UDB-932220	3/8-16	2-1/4	7/32	11/32	9/16
UDB-932225	3/8-16	3-7/8	7/32	11/32	9/16
UDB-932230	1/2-13	2-3/8	1/4	11/32	11/16
UDB-932235	1/2-13	3-7/8	1/4	11/32	11/16
UDB-932240	5/8-11	2-5/8	1/4	15/32	7/8
UDB-932245	5/8-11	3-7/8	1/4	15/32	7/8
UDB-932250	3/4-10	2-3/4	1/4	15/32	1-1/16
UDB-932255	3/4-10	3-7/8	1/4	15/32	1-1/16

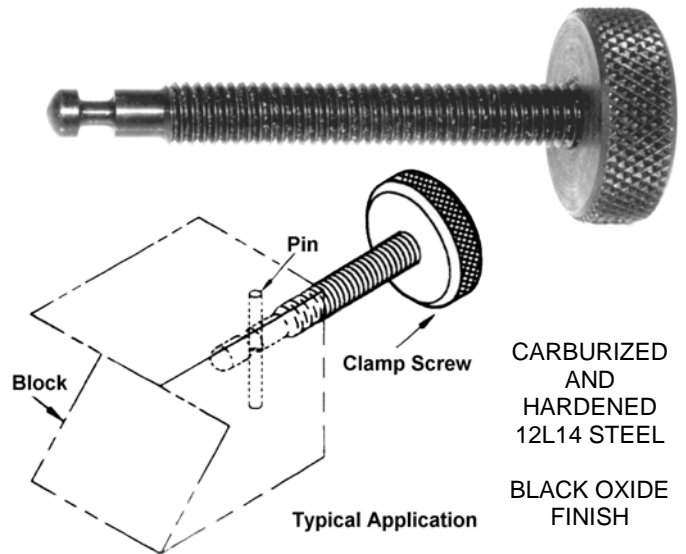
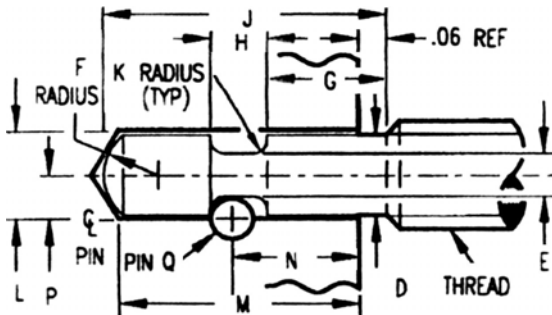
Clamp Screw Assemblies



CLAMP SCREW ASSEMBLIES



The view below shows screw end, pin and hole dimensions.



CARBURIZED AND HARDENED 12L14 STEEL
BLACK OXIDE FINISH

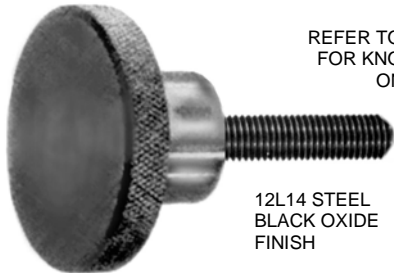
Clamp Screw designed for locating, clamping and hold-down applications After machining for hole, thread and pin.

UNITED PART NO.	THD UNC-2A	A ±.06	B ±.06	C ±.06	D +.000 - .010	E +.000 - .010	F RADIUS	G THRU TO GROOVE	H GROOVE LENGTH	J LENGTH TO END	K RADIUS TYP.	L DRILL	M WORK SURFACE TO END	N SURFACE TO PIN	P +.010 - .000	Q PIN DIA
UCC-715320	10-24	1.25	.31	.75	.139	.059	.09	.27	.12	.50	.03	.16	.34	.25	.078	.09
UCC-715326		1.62														
UCC-715332		2.00														
UCC-715416	1/4-20	1.00	.31	1.00	.187	.100	.12	.27	.12	.62	.03	.20	.53	.28	.102	.09
UCC-715424		1.50														
UCC-715432		2.00														
UCC-715440		2.50														
UCC-715448		3.00														
UCC-715516	5/16-18	1.00	.38	1.12	.250	.120	.19	.27	.19	.62	.06	.27	.53	.28	.133	.12
UCC-715524		1.50														
UCC-715528		1.75														
UCC-715536		2.25														
UCC-715544		2.75														
UCC-715548		3.00														
UCC-715616	3/8-16	1.00	.44	1.25	.281	.151	.19	.27	.19	.62	.06	.30	.53	.28	.152	.12
UCC-715624		1.50														
UCC-715632		2.00														
UCC-715640		2.50														
UCC-715648		3.00														
UCC-715656		3.50														
UCC-715664		4.00														
UCC-715844	1/2-13	2.75	.50	1.25	.406	.235	.25	.28	.25	.75	.06	.42	.62	.31	.218	.16
UCC-715856		3.50														

**Steel and Stainless
Control Knob Assy**

Knurled Control Knobs with Threaded Spindles In Steel and Stainless

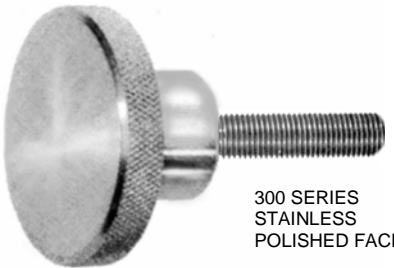
KNURLED STEEL CONTROL KNOBS — THREADED SPINDLES



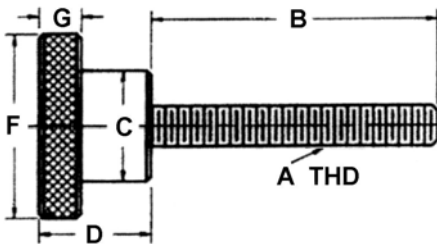
REFER TO J2
FOR KNOBS
ONLY

12L14 STEEL
BLACK OXIDE
FINISH

KNURLED STAINLESS CONTROL KNOBS — THREADED SPINDLES



300 SERIES
STAINLESS
POLISHED FACE



Each Knob is carefully
machined with a knurled
non-slip grip.

The threaded spindle is
assembled and held firmly
in the flanged head with a
spring pin.

Stainless Steel Knobs and
Threads are non-corrosive.

UNITED Precision Knobs
are accurate and durable.

They will improve the
appearance of your fixture
and outlast plastic and
aluminum knobs.

UNITED Long Wear Precision Control Knobs with Threaded Spindles
For Individual Components and Other Knobs, see Section J.

STEEL 12L14 KNOB	STAINLESS 300 SERIES KNOB	A THREAD SIZE	B LEN OF SPINDLE	C HUB DIA	D HEAD OAL	F DIA OF KNOB	G FLANGE WIDTH
UCC-933002	UCC-933002S	10-24	1/2	1/2	5/8	3/4	1/4
UCC-933002M	UCC-933002SM	M-5	12.7MM	12.7MM	15.9MM	19.0MM	6.4MM
UCC-933004	UCC-933004S	10-24	1	1/2	5/8	3/4	1/4
UCC-933004M	UCC-933004SM	M-5	25.4MM	12.7MM	15.9MM	19.0MM	6.4MM
UCC-933006	UCC-933006S	1/4-20	3/4	1/2	5/8	3/4	1/4
UCC-933006M	UCC-933006SM	M-6	19.0MM	12.7MM	15.9MM	19.0MM	6.4MM
UCC-933008	UCC-933008S	1/4-20	1-1/4	1/2	5/8	3/4	1/4
UCC-933008M	UCC-933008SM	M-6	31.7MM	12.7MM	15.9MM	19.0MM	6.4MM
UCC-933010	UCC-933010S	1/4-20	1-3/4	5/8	3/4	1	1/4
UCC-933010M	UCC-933010SM	M-6	44.5MM	15.9MM	19.0MM	25.4MM	6.4MM
UCC-933012	UCC-933012S	5/16-18	1-3/4	5/8	3/4	1	1/4
UCC-933012M	UCC-933012SM	M-8	44.5MM	15.9MM	19.0MM	25.4MM	6.4MM
UCC-933014	UCC-933014S	5/16-18	3	5/8	3/4	1	1/4
UCC-933014M	UCC-933014SM	M-8	76.2MM	15.9MM	19.0MM	25.4MM	6.4MM
UCC-933016	UCC-933016S	5/16-18	1-3/4	3/4	1	1-1/2	5/16
UCC-933016M	UCC-933016SM	M-8	44.5MM	19.0MM	25.4MM	38.1MM	7.9MM
UCC-933018	UCC-933018S	5/16-18	3	3/4	1	1-1/2	5/16
UCC-933018M	UCC-933018SM	M-8	76.2MM	19.0MM	25.4MM	38.1MM	7.9MM
UCC-933020	UCC-933020S	3/8-16	1-3/4	3/4	1	1-1/2	5/16
UCC-933020M	UCC-933020SM	M-10	44.5MM	19.0MM	25.4MM	38.1MM	7.9MM
UCC-933022	UCC-933022S	3/8-16	3	3/4	1	1-1/2	5/16
UCC-933022M	UCC-933022SM	M-10	76.2MM	19.0MM	25.4MM	38.1MM	7.9MM
UCC-933024	UCC-933024S	3/8-16	1-3/4	1	1-1/8	2	3/8
UCC-933024M	UCC-933024SM	M-10	44.5MM	25.4MM	28.6MM	50.8MM	9.5MM
UCC-933026	UCC-933026S	3/8-16	3	1	1-1/8	2	3/8
UCC-933026M	UCC-933026SM	M-10	76.2MM	25.4MM	28.6MM	50.8MM	9.5MM
UCC-933028	UCC-933028S	1/2-13	1-3/4	1	1-1/8	2	3/8
UCC-933028M	UCC-933028SM	M-12	44.5MM	25.4MM	28.6MM	50.8MM	9.5MM
UCC-933030	UCC-933030S	1/2-13	1-3/4	1-1/2	1-1/2	2-1/2	9/16
UCC-933030M	UCC-933030SM	M-12	44.5MM	38.1MM	38.1MM	63.5MM	14.3MM
UCC-933032	UCC-933032S	1/2-13	3	1-1/2	1-1/2	2-1/2	9/16
UCC-933032M	UCC-933032SM	M-12	76.2MM	38.1MM	38.1MM	63.5MM	14.3MM
UCC-933034	UCC-933034S	1/2-13	1-3/4	1-1/2	1-1/2	2-1/2	9/16
UCC-933034M	UCC-933034SM	M-12	44.5MM	38.1MM	38.1MM	63.5MM	14.3MM
UCC-933036	UCC-933036S	5/8-11	3	1-1/2	1-1/2	2-1/2	9/16
UCC-933036M	UCC-933036SM	M-16	76.2MM	38.1MM	38.1MM	63.5MM	14.3MM
UCC-933038	UCC-933038S	3/4-10	1-3/4	1-5/8	1-5/8	2-5/8	5/8
UCC-933038M	UCC-933038SM	M-20	44.5MM	41.3MM	41.3MM	66.7MM	15.9MM
UCC-933040	UCC-933040S	3/4-10	3	1-5/8	1-5/8	2-5/8	5/8
UCC-933040M	UCC-933040SM	M-20	76.2MM	41.3MM	41.3MM	66.7MM	15.9MM
UCC-933042	UCC-933042S	3/4-10	4	1-5/8	1-5/8	2-5/8	5/8
UCC-933042M	UCC-933042SM	M-20	101.6MM	41.3MM	41.3MM	66.7MM	15.9MM