

**Multi-Purpose  
Handles from UNITED**

# Multi-Purpose Handles Lift, Pull, Cabinet and Finger

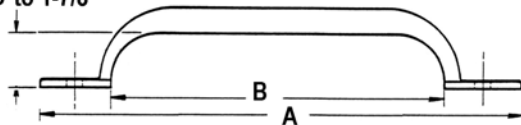
**LIFT HANDLE — Fixtures — Cabinets**

**Strong — Simple — Quick Installation**  
Widely used to Handle fixtures, cabinets,  
template tooling, sheet tooling and boxes.



ZINC PLATED WROUGHT STEEL

7/8 to 1-7/8



UNITED'S  
UNIVERSAL  
FAVORITE!

LIFT HANDLE	A OAL SIZE	B LEN of GRIP	USE SCREWS
UDB-945175	5 x 1-1/4	3-3/8	3/4 x 7
UDB-945177	5-3/4 x 1-1/2	4"	5/8 x 8
UDB-945179	6-1/2 x 1-3/4	4-1/2	1 x 9
UDB-945181	7-1/8 x 2-1/4	5-5/16	1-1/4 x 12
UDB-945185	6-1/2 x 1-3/4	4-1/2	WITHOUT HOLES

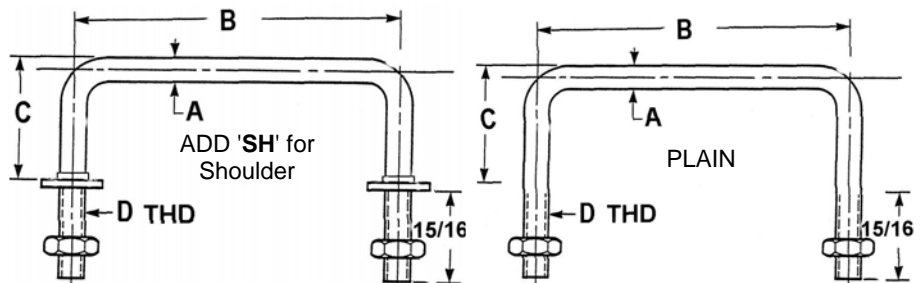
**ADJUSTABLE PULL / LIFT HANDLE — Fixtures — Cabinets**

Round External Threads —With or  
Without Adjustable Shoulder



ADD 'SH' for  
Shoulder

Round External Threads —With or  
Without Adjustable Shoulder



PLAIN

EXCELLENT PULL CABINET  
Or LIFT HANDLES

AVAILABLE in 3 Styles  
— STEEL —  
— ALUMINUM —  
— STAINLESS —

WITH or WITHOUT WASHERS  
All parts are furnished with nuts.

Aluminum Handles are anodized  
Black. Other colors are available  
in quantity as Specials.

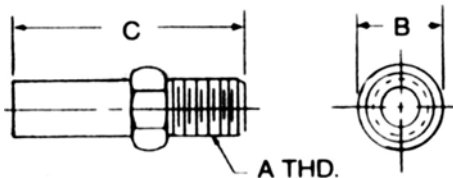
STEEL Black Oxide	ALUMINUM Anodized Black	STAINLESS Passivated Satin	A	B	C	D THD
UDB-951086	UDB-951110	UDB-951150	5/16	3"	1-7/16	5/16 – 18
UDB-951088	UDB-951112	UDB-951152	5/16	3-3/4	1-7/16	5/16 – 18
UDB-951090	UDB-951114	UDB-951154	5/16	4"	1-7/16	5/16 – 18
UDB-951092	UDB-951116	UDB-951156	5/16	4-1/4	1-7/16	5/16 – 18
UDB-951093	UDB-951117	UDB-951157	5/16	4-1/4	1-7/16	5/16 – 18
UDB-951094	UDB-951118	UDB-951158	5/16	4-1/2	1-7/16	5/16 – 18
UDB-951095	UDB-951120	UDB-951160	5/16	4-9/16	1-7/16	5/16 – 18
UDB-951096	UDB-951122	UDB-951162	5/16	5"	1-7/16	5/16 – 18
UDB-951097	UDB-951124	UDB-951164	5/16	6"	1-7/16	5/16 – 18
UDB-951008	UDB-951126	UDB-951166	3/8	3"	1-1/2	3/8 – 24
UDB-951099	UDB-951128	UDB-951168	3/8	3-3/4	1-1/2	3/8 – 24
UDB-951100	UDB-951130	UDB-951170	3/8	4"	1-1/2	3/8 – 24
UDB-951102	UDB-951135	UDB-951172	3/8	4-1/4	1-1/2	3/8 – 24
UDB-951103	UDB-951140	UDB-951174	3/8	4-1/2	1-1/2	3/8 – 24
UDB-951104	UDB-951142	UDB-951176	3/8	4-9/16	1-1/2	3/8 – 24
UDB-951105	UDB-951144	UDB-951178	3/8	5"	1-1/2	3/8 – 24
UDB-951107	UDB-951146	UDB-951180	3/8	6"	1-1/2	3/8 – 24
UDB-951108	UDB-951148	UDB-951186	3/8	9"	1-1/2	3/8 – 24

**FINGER HANDLES — Threaded**

IDEAL MINIATURE HANDLE FOR ACTUATING OR ADJUSTING SMALL MECHANISMS



CONVENIENT FINGER GRIP



FINGER HANDLE	A THD SIZE	B	C
UDB-945305	10 – 24	1/4	11/16
UDB-945307	10 – 32	1/4	11/16
UDB-945310	5/16 – 18	3/8	1-1/4

# Aluminum & Steel Speed Roll Finger Wheels

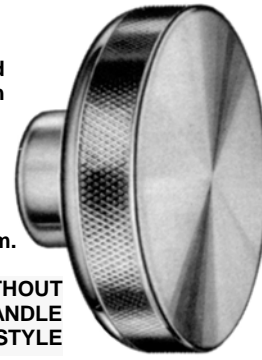


Speed Roll Finger Wheels are available in aluminum and alloy steel with or without Handles. Manufactured from solid bar highly polished in clear anodized or black anodized alloy steel and bright hard chrome plated.  
NOTE: REPLACEMENT HANDLE ONLY PART NUMBERS ARE LISTED BELOW KNOBS WITH HANDLES.

## SPEEDROLL KNOBS

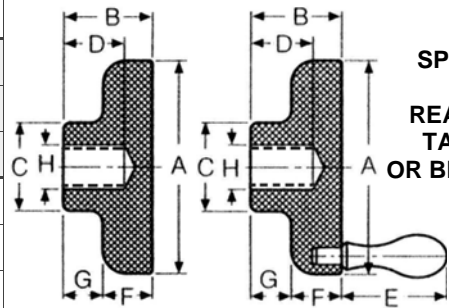
Dimensions Inches and (Metric in parentheses) — ALUMINUM										
WITHOUT HANDLE	WITH HANDLE	A	B	C	D	E	F	G	H REAMED	H TAPPE
UDB-801560	—	1.00 (25MM)	.81 (21MM)	.50 (13MM)	.63 (16MM)	—	.38 (10MM)	.44 (11MM)	.250 (6.4MM)	—
UDB-801562	—	1.00 (25MM)	.81 (21MM)	.50 (13MM)	.63 (16MM)	—	.38 (10MM)	.44 (11MM)	BLANK	BLANK
UDB-801564	—	1.00 (25MM)	.81 (21MM)	.50 (13MM)	.63 (16MM)	—	.38 (10MM)	.44 (11MM)	—	1/4-20
UDB-801566 HANDLE ONLY>	UDB-801590 UDB-945270	2.00 (51MM)	1.13 (29MM)	.81 (21MM)	.88 (22MM)	1.69 (43MM)	.56 (14MM)	.56 (14MM)	.375 (9.6MM)	—
UDB-801568 HANDLE ONLY>	UDB-801592 UDB-945270	2.00 (51MM)	1.13 (29MM)	.81 (21MM)	.88 (22MM)	1.69 (43MM)	.56 (14MM)	.56 (14MM)	BLANK	BLANK
UDB-801570 HANDLE ONLY>	UDB-801594 UDB-945270	2.00 (51MM)	1.13 (29MM)	.81 (21MM)	.88 (22MM)	1.69 (43MM)	.56 (14MM)	.56 (14MM)	—	3/8-16
UDB-801572 HANDLE ONLY>	UDB-801596 UDB-945271	3.00 (76MM)	1.25 (32MM)	1.25 (32MM)	.88 (22MM)	2.00 (51MM)	.69 (17MM)	.56 (14MM)	.625 (15.9MM)	—
UDB-801574 HANDLE ONLY>	UDB-801598 UDB-945271	3.00 (76MM)	1.25 (32MM)	1.25 (32MM)	.88 (22MM)	2.00 (51MM)	.69 (17MM)	.56 (14MM)	BLANK	BLANK
UDB-801576 HANDLE ONLY>	UDB-801600 UDB-945271	3.00 (76MM)	1.25 (32MM)	1.25 (32MM)	.88 (22MM)	2.00 (51MM)	.69 (17MM)	.56 (14MM)	—	5/8-11
UDB-801578 HANDLE ONLY>	UDB-801602 UDB-945272	4.00 (102MM)	1.50 (38MM)	1.50 (38MM)	1.00 (25MM)	2.63 (67MM)	.75 (19MM)	.75 (19MM)	.625 (15.9MM)	—
UDB-801580 HANDLE ONLY>	UDB-801604 UDB-945272	4.00 (102MM)	1.50 (38MM)	1.50 (38MM)	1.00 (25MM)	2.63 (67MM)	.75 (19MM)	.75 (19MM)	BLANK	BLANK
UDB-801582 HANDLE ONLY>	UDB-801606 UDB-945272	4.00 (102MM)	1.50 (38MM)	1.50 (38MM)	1.00 (25MM)	2.63 (67MM)	.75 (19MM)	.75 (19MM)	—	5/8-11
UDB-801584 HANDLE ONLY>	UDB-801608 UDB-945273	6.00 (52MM)	2.00 (51MM)	2.00 (51MM)	1.25 (32MM)	3.19 (81MM)	1.00 (25MM)	1.00 (25MM)	.750 (19MM)	—
UDB-801586 HANDLE ONLY>	UDB-801610 UDB-945273	6.00 (52MM)	2.00 (51MM)	2.00 (51MM)	1.25 (32MM)	3.19 (81MM)	1.00 (25MM)	1.00 (25MM)	BLANK	BLANK
UDB-801588 HANDLE ONLY>	UDB-801612 UDB-945273	6.00 (52MM)	2.00 (51MM)	2.00 (51MM)	1.25 (32MM)	3.19 (81MM)	1.00 (25MM)	1.00 (25MM)	—	3/4-10

Machined from high strength lighter weight solid bar 6061-T6 Aluminum.



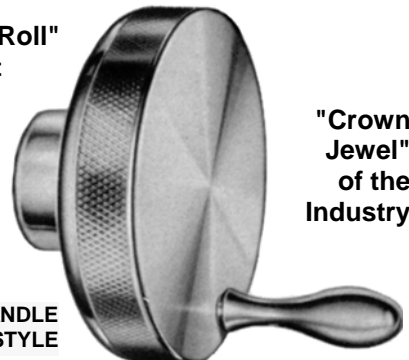
WITHOUT HANDLE STYLE

Use UNITED "Speed Roll" KNOBS when high quality is required.



SPECIFY 'H' AS REAMED, TAPPED OR BLANK.

"Speed Roll" Efficient Design



HANDLE STYLE

"Crown Jewel" of the Industry

SPECIFY YOUR SPECIAL REAM OR TAP SIZE.

Outstanding Solid Speed Roll Knobs have centered Pilot Hole Reamed or Tapped or Blank.

Knurled Rims for easy sure grip action.

FIXED HANDLES PROVIDED UNLESS OTHERWISE SPECIFIED.

With or Without Handles of polished chrome plated solid steel.

BLACK OXIDE FINISH IS AVAILABLE. ADD SUFFIX 'B' FOR BLACK OXIDE.

STAINLESS 300 SERIES ALSO AVAILABLE. ADD SUFFIX 'S' TO PART NO.

**Speed Roll Finger Wheel Knobs are revolving or solid. Noted for their Design, Strength and Longevity.**

Dimensions Inches and (Metric in parentheses) — STEEL										
WITHOUT HANDLE	WITH HANDLE	A	B	C	D	E	F	G	H REAMED	H TAPPED
UDB-801500	—	1.00 (25MM)	.81 (21MM)	.50 (13MM)	.63 (16MM)	—	.38 (10MM)	.44 (11MM)	.250 (6.4MM)	—
UDB-801502	—	1.00 (25MM)	.81 (21MM)	.50 (13MM)	.63 (16MM)	—	.38 (10MM)	.44 (11MM)	BLANK	BLANK
UDB-801504	—	1.00 (25MM)	.81 (21MM)	.50 (13MM)	.63 (16MM)	—	.38 (10MM)	.44 (11MM)	—	1/4-20
UDB-801506 HANDLE ONLY>	UDB-801530 UDB-945270	2.00 (51MM)	1.13 (29MM)	.81 (21MM)	.88 (22MM)	1.69 (43MM)	.56 (14MM)	.56 (14MM)	.375 (9.6MM)	—
UDB-801508 HANDLE ONLY>	UDB-801532 UDB-945270	2.00 (51MM)	1.13 (29MM)	.81 (21MM)	.88 (22MM)	1.69 (43MM)	.56 (14MM)	.56 (14MM)	BLANK	BLANK
UDB-801510 HANDLE ONLY>	UDB-801534 UDB-945270	2.00 (51MM)	1.13 (29MM)	.81 (21MM)	.88 (22MM)	1.69 (43MM)	.56 (14MM)	.56 (14MM)	—	3/8-16
UDB-801512 HANDLE ONLY>	UDB-801536 UDB-945271	3.00 (76MM)	1.25 (32MM)	1.25 (32MM)	.88 (22MM)	2.00 (51MM)	.69 (17MM)	.56 (14MM)	.625 (15.9MM)	—
UDB-801514 HANDLE ONLY>	UDB-801538 UDB-945271	3.00 (76MM)	1.25 (32MM)	1.25 (32MM)	.88 (22MM)	2.00 (51MM)	.69 (17MM)	.56 (14MM)	BLANK	BLANK
UDB-801516 HANDLE ONLY>	UDB-801540 UDB-945271	3.00 (76MM)	1.25 (32MM)	1.25 (32MM)	.88 (22MM)	2.00 (51MM)	.69 (17MM)	.56 (14MM)	—	5/8-11
UDB-801518 HANDLE ONLY>	UDB-801542 UDB-945272	4.00 (102MM)	1.50 (38MM)	1.50 (38MM)	1.00 (25MM)	2.63 (67MM)	.75 (19MM)	.75 (19MM)	.625 (15.9MM)	—
UDB-801520 HANDLE ONLY>	UDB-801544 UDB-945272	4.00 (102MM)	1.50 (38MM)	1.50 (38MM)	1.00 (25MM)	2.63 (67MM)	.75 (19MM)	.75 (19MM)	BLANK	BLANK
UDB-801522 HANDLE ONLY>	UDB-801546 UDB-945272	4.00 (102MM)	1.50 (38MM)	1.50 (38MM)	1.00 (25MM)	2.63 (67MM)	.75 (19MM)	.75 (19MM)	—	5/8-11
UDB-801524 HANDLE ONLY>	UDB-801548 UDB-945273	6.00 (52MM)	2.00 (51MM)	2.00 (51MM)	1.25 (32MM)	3.19 (81MM)	1.00 (25MM)	1.00 (25MM)	.750 (19MM)	—
UDB-801526 HANDLE ONLY>	UDB-801550 UDB-945273	6.00 (52MM)	2.00 (51MM)	2.00 (51MM)	1.25 (32MM)	3.19 (81MM)	1.00 (25MM)	1.00 (25MM)	BLANK	BLANK
UDB-801528 HANDLE ONLY>	UDB-801552 UDB-945273	6.00 (52MM)	2.00 (51MM)	2.00 (51MM)	1.25 (32MM)	3.19 (81MM)	1.00 (25MM)	1.00 (25MM)	—	3/4-10

# Machine Handwheels and Speed Handles

# UNITED Can Handle Your Handwheels

## HANDWHEELS



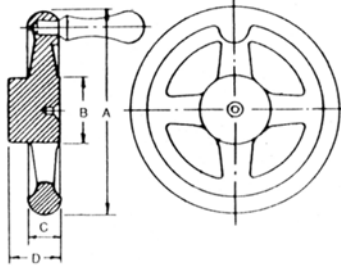
• UNITED's Handwheels are made from fine grain cast iron.

- All Handwheels have four spokes, except the 3 inch diameter, which is solid.
- Finished Handwheels are machined, polished and painted.



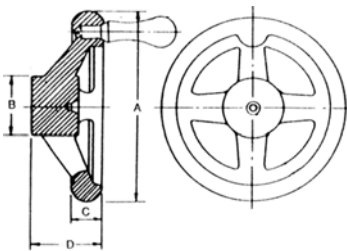
ECONOMY IN SPEED, STYLE and VALUE

## STANDARD STYLE



STANDARD STYLE — ADD 'A' to Part No. for Aluminum. Example: UDB-947103-A								REFERENCE	
UNFINISHED BLANK	FINISHED NO HANDLE	FINISHED SOLID HANDLE	FINISHED REVOLVING	A	B	C	D	SOLID HANDLE	REVOLVING HANDLE
UDB-947103	UDB-947123	UDB-947143	UDB-947163	3"	1"	5/8	1-1/16	UDB-945210	UDB-945250
UDB-947104	UDB-947124	UDB-947144	UDB-947164	4"	1-1/4	5/8	1-1/8	UDB-945210	UDB-945250
UDB-947105	UDB-947125	UDB-947145	UDB-947165	5"	1-1/2	5/8	1-1/8	UDB-945215	UDB-945255
UDB-947106	UDB-947126	UDB-947146	UDB-947166	6"	1-5/8	3/4	1-1/4	UDB-945215	UDB-945255
UDB-947108	UDB-947128	UDB-947148	UDB-947168	8"	1-7/8	7/8	1-3/8	UDB-945220	UDB-945260
UDB-947110	UDB-947130	UDB-947150	UDB-947170	10"	2-1/4	1"	2-1/4	UDB-945220	UDB-945260
UDB-947112	UDB-947132	UDB-947152	UDB-947172	12"	3"	1-1/4	3"	UDB-945225	UDB-945265

## RECESSED STYLE

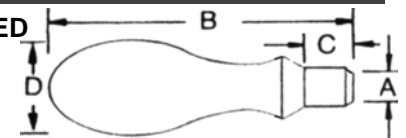


RECESSED STYLE — ADD 'A' to Part No. for Aluminum. Example: UDB-947114-A								REFERENCE	
UNFINISHED BLANK	FINISHED NO HANDLE	FINISHED SOLID HANDLE	FINISHED REVOLVING	A	B	C	D	SOLID HANDLE	REVOLVING HANDLE
UDB-947114	UDB-947134	UDB-947154	UDB-947174	4"	1-1/4	5/8	1-11/16	UDB-945210	UDB-945250
UDB-947115	UDB-947135	UDB-947155	UDB-947175	5"	1-1/2	5/8	1-13/16	UDB-945215	UDB-945255
UDB-947116	UDB-947136	UDB-947156	UDB-947176	6"	1-5/8	3/4	2"	UDB-945215	UDB-945255
UDB-947117	UDB-947137	UDB-947157	UDB-947177	7"	1-3/4	3/4	2-1/16	UDB-945220	UDB-945260
UDB-947118	UDB-947138	UDB-947158	UDB-947178	8"	1-7/8	7/8	2-3/16	UDB-945220	UDB-945260
UDB-947119	UDB-947139	UDB-947159	UDB-947179	9"	2"	7/8	2-3/4	UDB-945220	UDB-945260
UDB-947120	UDB-947140	UDB-947160	UDB-947180	10"	2-1/4	1"	3-1/4	UDB-945220	UDB-945260

## STEEL HANDLES — PRESS FIT and THREADED SMOOTH MACHINE POLISHED

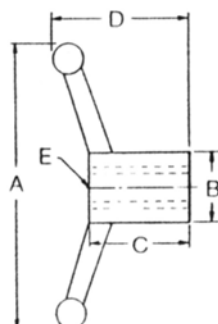


MACHINED FROM SOLID STEEL BAR  
SPECIAL FINISH OR MODIFICATIONS AVAILABLE



PRESS FIT * SOLID HANDLE	THREADED SOLID HANDLE	A DIA. *	A THD	B	C	D	PRESS FIT REVOLVING HANDLE	A	B	C	D
UDB-945205	UDB-945275	1/4	1/4 -20	1-23/32	7/16	7/16	UDB-945250	5/16	2-5/8	9/16	7/8
UDB-945210	UDB-945280	5/16	5/16 -18	2-5/32	7/16	3/4	UDB-945255	3/8	3-25/32	3/4	1-1/8
UDB-945215	UDB-945285	3/8	3/8 -16	2-11/16	9/16	7/8	UDB-945260	7/16	4-1/32	3/4	1-3/16
UDB-945220	UDB-945290	7/16	7/16 -14	3-29/32	11/16	1-3/16	UDB-945265	1/2	5-1/8	15/16	1-3/8

## SPEED BALL HANDLES



ZINC PLATED CAST IRON

BALANCED FOR SPEED

BLANK, REAMED OR TAPPED STYLES AVAILABLE

WIDE HANDLE ADDS LEVERAGE

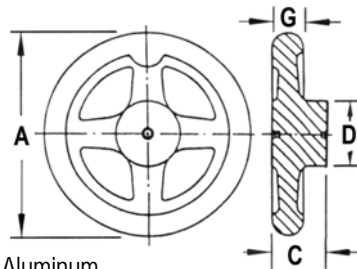
SPEED BALL HANDLE	A	B	C	D	E HOLE SIZE
UDB-945350	4-3/4	1-1/8	1-5/8	2-1/4	BLANK
UDB-945355	4-3/4	1-1/8	1-5/8	2-1/4	1/2 REAM
UDB-945360	4-3/4	1-1/8	1-5/8	2-1/4	1/2 - 13 TAP
UDB-945365	6"	1-3/8	1-5/8	2-1/2	BLANK
UDB-945370	6"	1-3/8	1-5/8	2-1/2	5/8 REAM
UDB-945375	6"	1-3/8	1-5/8	2-1/2	5/8 - 11 TAP
UDB-945380	8"	1-5/8	1-3/4	2-15/16	BLANK
UDB-945385	8"	1-5/8	1-3/4	2-15/16	3/4 REAM
UDB-945390	8"	1-5/8	1-3/4	2-15/16	3/4 - 10 TAP

# UnEcon Handwheels- Straight and Offset

**Straight & Offset  
Handwheels**

## UnEcon Handwheel Straight Spokes

All Steel Handwheels are polished and chrome plated. Round Machined Rim Hub is Center Drilled with 1/8" Pilot on center. Easy to modify. All unmachined surfaces are tumbled smooth. Economical and well balanced. 4 Straight Spokes. Steel or Aluminum.



Aluminum available with Painted Rim Hub.

Drilled Center with 1/8 pilot on

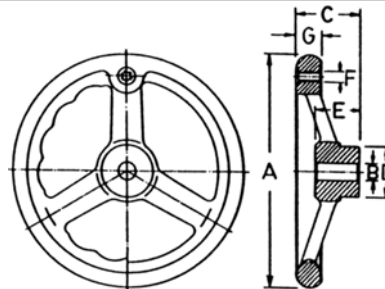


**UNECON STRAIGHT  
HANDWHEEL  
ROUND RING  
4 STRAIGHT SPOKES**

STEEL	ALUMINUM	A	C	D	G	SPOKES
UDB-947183		3	1-1/16	1"	5/8	4
UDB-947184		4	1-1/8	1-1/4	11/16	4
UDB-947185		5	1-1/8	1-1/2	5/8	4
UDB-947186	UDB-947186A	6	1-1/4	1-5/8	3/4	4
UDB-947188	UDB-947188A	8	1-3/8	1-7/8	7/8	4
UDB-947190		10	2-1/4	2-1/4	1"	4

## UnEcon Handwheel Offset Spokes

Round Machined Rim tapped for Handle. Crank Hub is Center Drilled. Easy to modify and ready for Handle. Unmachined surfaces are tumbled smooth. Zinc cast or polished Chrome Plated Finish. Well Proportioned and Economical. Finger Grip Cast on 8"-12" sizes.

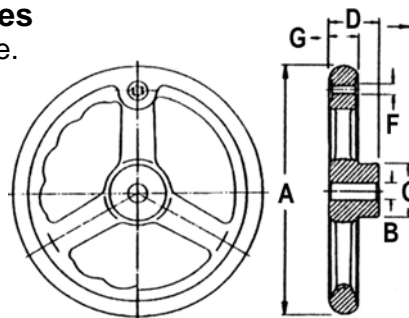


**UNECON OFFSET  
HANDWHEEL  
ROUND RING  
3 or 5 OFFSET  
SPOKES**

ZINC CAST	CHROME	A	B	C	D	E	F	G	SPOKES	FIXED	REVOLVING
UDB-947193	UDB-947203	3	3/8	1"	1"	1"	#10-24	1/2	4	UDB-945270	UDB-945280
UDB-947194	UDB-947204	4	3/8	1-1/2	1-1/8	1-1/16	#10-24	9/16	3	UDB-945270	UDB-945280
UDB-947195	UDB-947205	5	3/8	1-5/8	1-1/4	1-3/16	1/4-20	5/8	3	UDB-945271	UDB-945281
UDB-947196	UDB-947206	6	1/2	1-13/16	1-3/8	1-1/4	5/16-18	11/16	3	UDB-945272	UDB-945282
UDB-947198	UDB-947208	8	5/8	2-3/16	1-5/8	1-1/2	3/8-16	7/8	3	UDB-945273	UDB-945283
UDB-947200	UDB-947210	10	5/8	2-3/8	1-7/8	1-5/8	3/8-16	15/16	5	UDB-945273	UDB-945283
UDB-947202	UDB-947212	12	3/4	2-1/2	2-3/16	1-3/4	1/2-13	1"	5	UDB-945274	UDB-945284

## UnEcon Handwheel Straight Spokes

Round Machined Rim tapped for Handle. Easy to modify and ready for Handle. Crank Hub is Center Drilled. Unmachined surfaces are tumbled smooth and polished. Cast or Chrome Plated Finish. Well Proportioned and Economical. Finger Grip Cast on 8"-12" sizes.



**UNECON STRAIGHT  
HANDWHEEL  
ROUND RING  
3 or 5 STRAIGHT  
SPOKES**

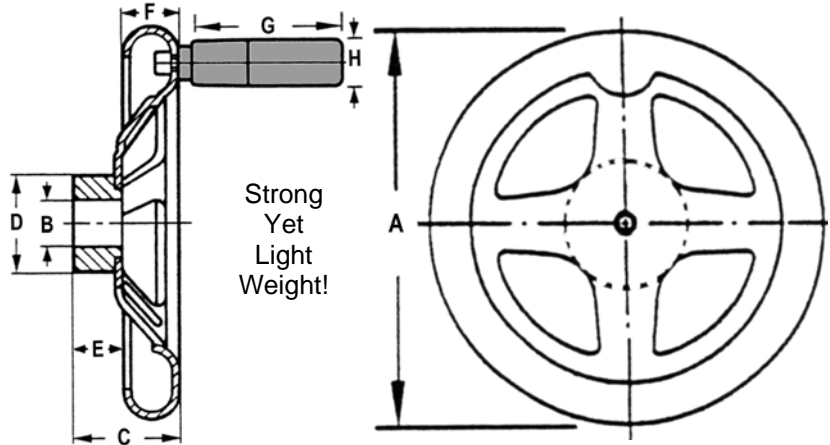
CAST	CHROME	A	B	C	D	F	G	SPOKES	FIXED	REVOLVING
UDB-947213	UDB-947223	3	3/8	1"	1"	#10-24	1/2	3	UDB-945270	UDB-945280
UDB-947214	UDB-947224	4	3/8	1-1/8	1-1/16	#10-24	9/16	3	UDB-945270	UDB-945280
UDB-947215	UDB-947225	5	3/8	1-1/4	1-3/16	1/4-20	19/32	3	UDB-945271	UDB-945281
UDB-947216	UDB-947226	6	1/2	1-3/8	1-1/4	5/16-18	21/32	3	UDB-945272	UDB-945282
UDB-947218	UDB-947227	8	5/8	1-21/32	1-1/2	3/8-16	7/8	3	UDB-945273	UDB-945283
UDB-947220	UDB-947228	10	5/8	1-7/8	1-21/32	3/8-16	15/16	5	UDB-945273	UDB-945283
UDB-947222	UDB-947232	12	3/4	2-5/32	1-25/32	1/2-13	1-1/64	5	UDB-945274	UDB-945284

**Stainless Spoked Handwheels**

# UnEcon Stainless Spoked Handwheels



WITH or WITHOUT HANDLE



**UNECON STAINLESS SPOKED HANDWHEEL**  
Hub is Center Drilled

**SPECIALS**  
Bores  
Broaches  
Keyways

**UNITED UnEcon STAINLESS HANDWHEELS**

- Non-Corrosive
- Impact and Shock Proof
- High Mechanical Strength
- Balanced Proportional Design
- Shaped for Comfort
- Round and Square Bores
- Easy to Modify Larger Sizes
- Revolving Strong Plastic Handle
- Pressed Stainless Steel
- Mounting Hole Omitted If No Handle
- Shot Blasted Satin Finish
- Economical

**UnEcon for Economy and Value**

**ROUND BORE USA Inch and (Metric in parentheses)**

WITH HANDLE	WITHOUT HANDLE	A DIA	B REAM	C OVERALL WIDTH	D O.D. HUB	E LENGTH HUB	F THICKNESS	G LENGTH HANDLE	H DIA HANDLE	NUMBER OF SPOKES
UDB-947234	UDB-947240	6.30 (160mm)	1/2	1-35/64 (39mm)	1-3/16 (30mm)	51/64 (20mm)	7/8 (22mm)	1-1/64 (26mm)	3-5/32 (80mm)	4
UDB-947236	UDB-947242	7.87 (200mm)	5/8	1-47/64 (44mm)	1-5/32 (40mm)	15/16 (24mm)	7/8 (22mm)	1-1/64 (26mm)	3-5/32 (80mm)	4
UDB-947238	UDB-947244	9.84 (250mm)	3/4	2-3/64 (52mm)	1-3/4 (45mm)	1-7/64 (28mm)	1-3/16 (30mm)	1-7/64 (28mm)	3-35/64 (90mm)	5

**SQUARE BORE USA Inch and (Metric in parentheses)**

WITH HANDLE	WITHOUT HANDLE	A DIA	B REAM	C OVERALL WIDTH	D O.D. HUB	E LENGTH HUB	F THICKNESS	G LENGTH HANDLE	H DIA HANDLE	NUMBER OF SPOKES
UDB-947248	UDB-947254	6.30 (160mm)	1/2	1-35/64 (39mm)	1-3/16 (30mm)	51/64 (20mm)	7/8 (22mm)	1-1/64 (26mm)	3-5/32 (80mm)	4
UDB-947250	UDB-947256	7.87 (200mm)	5/8	1-47/64 (44mm)	1-5/32 (40mm)	15/16 (24mm)	7/8 (22mm)	1-1/64 (26mm)	3-5/32 (80mm)	4
UDB-947252	UDB-947258	9.84 (250mm)	3/4	2-3/64 (52mm)	1-3/4 (45mm)	1-7/64 (28mm)	1-3/16 (30mm)	1-7/64 (28mm)	3-35/64 (90mm)	5

# Tri-Spoked Handwheels

BLACK GLASS FILLED NYLON PLASTIC



**PLAIN  
NO HANDLE**

**REVOLVING  
HANDLE**

**REVOLVING  
RETRACTABLE  
SAFETY HANDLE**



## UNITED THREE-SPOKED HANDWHEELS FEATURES

**BODY:** Black glass filled nylon plastic

**HUB:** Steel, zinc plated, molded-in

**HANDLE STYLES:** Plain No Handle, Revolving and Revolving Retractable

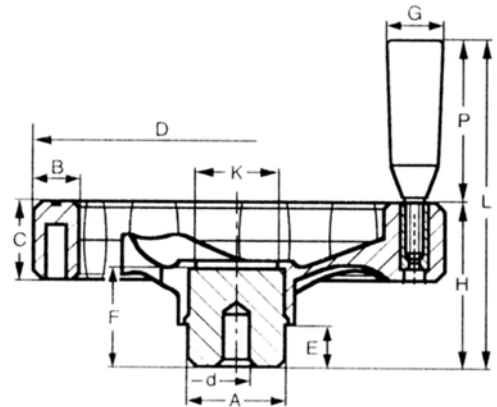
**REVOLVING RETRACTABLE HANDLE:** Black glass filled nylon plastic with zinc plated steel stern and mechanism

**DIMENSIONS:** Inch and Metric interchangeable

**HEAT RESISTANCE:** Nylon Plastic maximum tolerance 230° F (110° C)

**MELTING POINT:** 446° F (230° C)

**STYLE:** Strong Long Wearing Modern design



**UNITED Spoked Thermoplastic Handwheels are noted for their strength and longevity.**

**Retractable Handles are excellent for applications requiring the handle be out of the way.**

UNITED PART NO.			INCH DIMENSIONS and (METRIC in Parentheses)											
REVOLVING & RETRACTED HANDLE	REVOLVING HANDLE	WITHOUT HANDLE	D	d PILOT HOLE	H	L	C	B	A	E	F	K	G	P
UDB-636040 (M4 x .7)	UDB-636010 (M6 x 1.0)	UDB-635020 (M6 x 1.0)	4.92 (125mm)	.24 (6mm)	2.01 (51mm)	2.98 (101mm)	.94 (24mm)	.67 (17mm)	.94 (24mm)	.47 (12mm)	1.10 (28mm)	.79 (20mm)	.83 (21mm)	1.97 (50mm)
UDB-636045 (M5 x .8)	UDB-636015 (M8 x 1.25)	UDB-635025 (M8 x 1.25)	6.30 (160mm)	.24 (6mm)	2.40 (61mm)	5.16 (131mm)	1.10 (28mm)	.79 (20mm)	1.26 (32mm)	.59 (15mm)	1.22 (31mm)	1.18 (30mm)	.91 (23mm)	2.76 (70mm)
UDB-636050 (M6 x 1.0)	UDB-636020 (M10 x 1.5)	UDB-635030 (M10 x 1.5)	7.87 (200mm)	.24 (6mm)	2.87 (73mm)	6.42 (163mm)	1.26 (32mm)	.91 (23mm)	1.57 (40mm)	.59 (15mm)	1.57 (40mm)	1.38 (35mm)	1.02 (26mm)	3.54 (90mm)