

Adjustable Release-Engage Handles

ADJUSTABLE RELEASE/ENGAGE
TAPPED HANDLES — TYPE A



ZINC DIE CAST STEEL

ERGONOMICALLY
DESIGNED

The releasing movement is smooth and easy.

- Lift the handle and the spine engages.
- To loosen or tighten, release the handle.

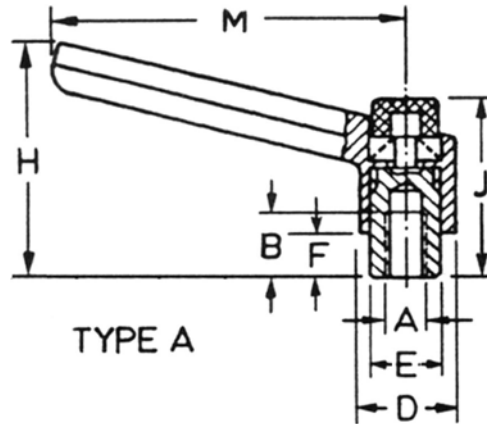
Special tapped sizes are available on request.

Stud types next page.

Handle body is black.
Release button is blue.

Other colors in quantity are available. Currently we provide yellow, green and blue release buttons.

Adjustable Handles Release/Engage Tapped Type A



UNITED's modern attractive zinc die cast handles are designed with the user in mind.

UNITED'S HANDSOME
MODERN ADJUSTABLE
HANDLES

RELEASE ACTION:
Lift handle to
disengage the spine.

ENGAGE ACTION:
Release the handle to
engage for tightening
or loosening.

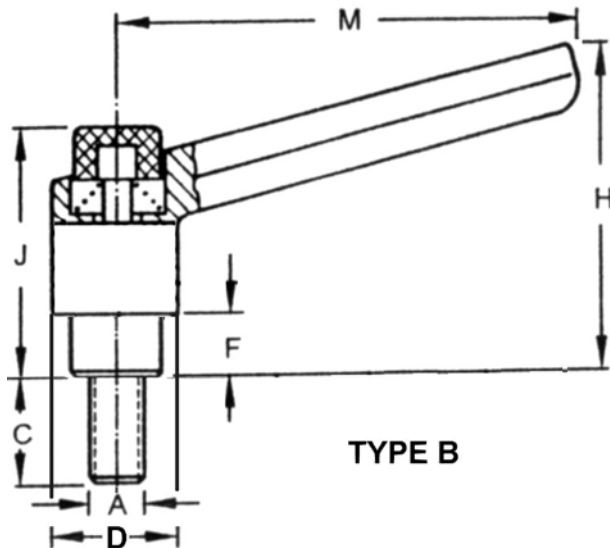
TAPPED TYPE A

| TYPE A TAPPED | A USA | A METRIC | B | D | E | F | H | M | J |
|------------------|-----------|-------------|------|--------|-------|-------|-------|--------|---------|
| UDB-951190 | 1/8 Ream | | 5/16 | 19/32 | 25/64 | 5/32 | 1-3/8 | 1-3/4 | 1" |
| UDB-951192 | #10 - 24 | | 5/16 | 19/32 | 25/64 | 5/32 | 1-3/8 | 1-3/4 | 1" |
| UDB-951194 | 1/4 - 20 | | 5/16 | 19/32 | 25/64 | 5/32 | 1-3/8 | 1-3/4 | 1" |
| UDB-951196 | | M6 | 5/16 | 19/32 | 25/64 | 5/32 | 1-3/8 | 1-3/4 | 1" |
| UDB-951208 | 1/8 Ream | | 7/16 | 3/4 | 17/32 | 5/16 | 1-7/8 | 2-9/16 | 1-5/16 |
| UDB-951210 | 1/4 - 20 | | 7/16 | 3/4 | 17/32 | 5/16 | 1-7/8 | 2-9/16 | 1-5/16 |
| UDB-951212 | 5/16 - 18 | | 7/16 | 3/4 | 17/32 | 5/16 | 1-7/8 | 2-9/16 | 1-5/16 |
| UDB-951214 | | M8 | 7/16 | 3/4 | 17/32 | 5/16 | 1-7/8 | 2-9/16 | 1-5/16 |
| UDB-951226 | 1/4 Ream | | 1/2 | 7/8 | 5/8 | 13/32 | 2-1/8 | 3-1/8 | 1-21/32 |
| UDB-951228 | 5/16 - 18 | | 1/2 | 7/8 | 5/8 | 13/32 | 2-1/8 | 3-1/8 | 1-21/32 |
| UDB-951230 | 3/8 - 16 | | 1/2 | 7/8 | 5/8 | 13/32 | 2-1/8 | 3-1/8 | 1-21/32 |
| UDB-951232 | | M10 | 1/2 | 7/8 | 5/8 | 13/32 | 2-1/8 | 3-1/8 | 1-21/32 |
| UDB-951244 | 5/16 Ream | | 5/8 | 1-1/16 | 3/4 | 13/32 | 2-1/2 | 3-3/4 | 1-13/16 |
| UDB-951246 | 3/8 - 16 | | 5/8 | 1-1/16 | 3/4 | 13/32 | 2-1/2 | 3-3/4 | 1-13/16 |
| UDB-951248 | 1/2 - 13 | | 5/8 | 1-1/16 | 3/4 | 13/32 | 2-1/2 | 3-3/4 | 1-13/16 |
| UDB-951250 | | M12 | 5/8 | 1-1/16 | 3/4 | 13/32 | 2-1/2 | 3-3/4 | 1-13/16 |
| UDB-951262 | 3/8 Ream | | 7/8 | 1-1/4 | 29/32 | 7/16 | 2-7/8 | 4-5/16 | 2-5/32 |
| UDB-951264 | 1/2 - 13 | | 7/8 | 1-1/4 | 29/32 | 7/16 | 2-7/8 | 4-5/16 | 2-5/32 |
| UDB-951266 | 5/8 - 11 | | 7/8 | 1-1/4 | 29/32 | 7/16 | 2-7/8 | 4-5/16 | 2-5/32 |
| UDB-951268 | | M16 | 7/8 | 1-1/4 | 29/32 | 7/16 | 2-7/8 | 4-5/16 | 2-5/32 |

Adjustable Handles Engage/Release Stud Type B

Adjustable Release-
Engage Handles

ADJUSTABLE RELEASE/ENGAGE HANDLES
WITH STUD TYPE B



ZINC DIE CAST STEEL

ERGONOMICALLY
DESIGNED

UNITED's modern attractive zinc die cast handles are designed with the user in mind.

RELEASE ACTION:
Lift handle to
disengage the spine.

ENGAGE ACTION:
Release the handle to
engage for tightening
or loosening.

The releasing
movement is smooth
and easy. Lift the
handle and the spine
engages. To loosen or
tighten, release the
handle.

STUD TYPE B

ZINC DIE CAST STEEL

| ADJ. HANDLE STUD TYPE B | A USA | ADJ. HANDLE STUD TYPE B | A METRIC | C | D | E | F | H | M | J |
|----------------------------|-----------|----------------------------|-------------|-------|--------|-------|-------|-------|--------|---------|
| UDB-951198 | 1/4 - 20 | UDB-951199 | M6 | 1/2 | 19/32 | 25/64 | 5/32 | 1-3/8 | 1-3/4 | 1" |
| UDB-951200 | 1/4 - 20 | UDB-951201 | M6 | 3/4 | 19/32 | 25/64 | 5/32 | 1-3/8 | 1-3/4 | 1" |
| UDB-951202 | 1/4 - 20 | UDB-951203 | M6 | 1" | 19/32 | 25/64 | 5/32 | 1-3/8 | 1-3/4 | 1" |
| UDB-951204 | 1/4 - 20 | UDB-951205 | M6 | 1-1/2 | 19/32 | 25/64 | 5/32 | 1-3/8 | 1-3/4 | 1" |
| UDB-951216 | 5/16 - 18 | UDB-951217 | M8 | 3/4 | 3/4 | 17/32 | 5/16 | 1-7/8 | 2-9/16 | 1-5/16 |
| UDB-951218 | 5/16 - 18 | UDB-951219 | M8 | 1" | 3/4 | 17/32 | 5/16 | 1-7/8 | 2-9/16 | 1-5/16 |
| UDB-951220 | 5/16 - 18 | UDB-951221 | M8 | 1-1/2 | 3/4 | 17/32 | 5/16 | 1-7/8 | 2-9/16 | 1-5/16 |
| UDB-951222 | 5/16 - 18 | UDB-951223 | M8 | 2" | 3/4 | 17/32 | 5/16 | 1-7/8 | 2-9/16 | 1-5/16 |
| UDB-951234 | 3/8 - 16 | UDB-951235 | M10 | 3/4 | 7/8 | 5/8 | 13/32 | 2-1/8 | 3-1/8 | 1-21/32 |
| UDB-951236 | 3/8 - 16 | UDB-951237 | M10 | 1" | 7/8 | 5/8 | 13/32 | 2-1/8 | 3-1/8 | 1-21/32 |
| UDB-951238 | 3/8 - 16 | UDB-951239 | M10 | 1-1/2 | 7/8 | 5/8 | 13/32 | 2-1/8 | 3-1/8 | 1-21/32 |
| UDB-951240 | 3/8 - 16 | UDB-951241 | M10 | 2" | 7/8 | 5/8 | 13/32 | 2-1/8 | 3-1/8 | 1-21/32 |
| UDB-951252 | 1/2 - 13 | UDB-951253 | M12 | 1" | 1-1/16 | 3/4 | 13/32 | 2-1/2 | 3-3/4 | 1-13/16 |
| UDB-951254 | 1/2 - 13 | UDB-951255 | M12 | 1-1/2 | 1-1/16 | 3/4 | 13/32 | 2-1/2 | 3-3/4 | 1-13/16 |
| UDB-951256 | 1/2 - 13 | UDB-951257 | M12 | 2" | 1-1/16 | 3/4 | 13/32 | 2-1/2 | 3-3/4 | 1-13/16 |
| UDB-951258 | 1/2 - 13 | UDB-951259 | M12 | 2-1/2 | 1-1/16 | 3/4 | 13/32 | 2-1/2 | 3-3/4 | 1-13/16 |
| UDB-951270 | 5/8 - 11 | UDB-951271 | M16 | 1-1/2 | 1-1/4 | 29/32 | 7/16 | 2-7/8 | 4-5/16 | 2-5/32 |
| UDB-951272 | 5/8 - 11 | UDB-951273 | M16 | 2" | 1-1/4 | 29/32 | 7/16 | 2-7/8 | 4-5/16 | 2-5/32 |
| UDB-951274 | 5/8 - 11 | UDB-951275 | M16 | 2-1/2 | 1-1/4 | 29/32 | 7/16 | 2-7/8 | 4-5/16 | 2-5/32 |
| UDB-951276 | 5/8 - 11 | UDB-951277 | M16 | 3" | 1-1/4 | 29/32 | 7/16 | 2-7/8 | 4-5/16 | 2-5/32 |

Special stud sizes are
available on request.

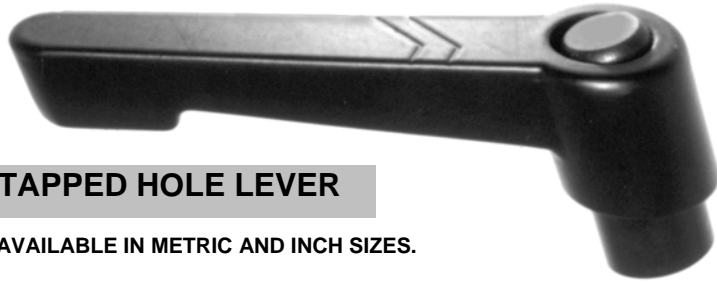
Tapped types
previous page.

Handle body is
black.
Release button is
blue.

Other colors in
quantity are
available. Currently
we provide yellow,
green and blue
release buttons.

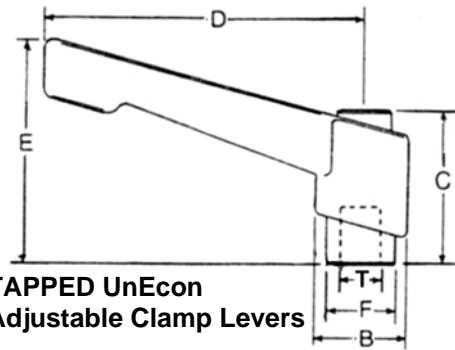
**Adjustable
Clamping Levers**

Economical Adjustable Clamping Levers



TAPPED HOLE LEVER

AVAILABLE IN METRIC AND INCH SIZES.



**TAPPED UnEcon
Adjustable Clamp Levers**

UnEcon
—
The Name
For **UNITED**
Economy

UNITED's UnEcon Adjustable Clamping Levers are manufactured from glass fiber reinforced polyimide to resist oils, solvents and shop chemicals.

Clean modern design has tapped hole and steel bushing with internal thread zinc plated.

Lift and Rotate will disengage Handle's swivel and move to an ideal clamp position.

Release to automatically engage!

- ① Handle has internal thread style.
- ② Bushing and Screw are made from zinc-plated steel.
- ③ Handle is made from glass-fiber reinforced polyimide.
- ④ Black Handle Levers and buttons are provided. Other button colors available in quantity on request.
- ⑤ Special threads and bores are available on request.
- ⑥ Resists oils and shop chemicals
- ⑦ **UnEcon — Another UNITED economical product!**

| TAPPED USA INCH SIZES — UnEcon Adjustable Clamping Levers | | | | | | |
|---|-----------|-----|------|------|------|-----|
| Inch PART NO. | T THD | B | C | D | E | F |
| UDB-947801 | #10 – 24 | .63 | 1.04 | 1.65 | 1.38 | .47 |
| UDB-947802 | #10 – 32 | .63 | 1.04 | 1.65 | 1.38 | .47 |
| UDB-947803 | 1/4 – 20 | .63 | 1.04 | 1.65 | 1.38 | .47 |
| UDB-947804 | 1/4 – 20 | .79 | 1.42 | 2.56 | 1.97 | .59 |
| UDB-947805 | 5/16 – 18 | .79 | 1.42 | 2.56 | 1.97 | .59 |
| UDB-947806 | 5/16 – 18 | .98 | 1.81 | 3.15 | 2.48 | .79 |
| UDB-947807 | 3/8 – 16 | .98 | 1.81 | 3.15 | 2.48 | .79 |
| UDB-947808 | 1/2 – 13 | .98 | 1.81 | 3.15 | 2.48 | .79 |

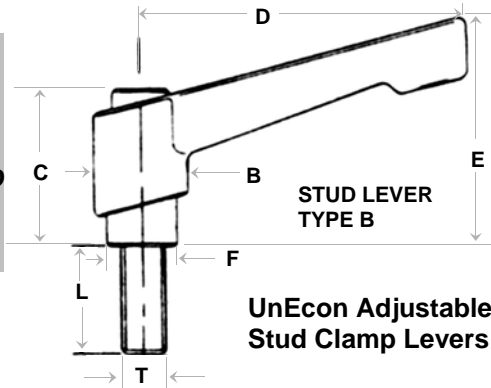
Select optional button colors of orange, red, blue or yellow for quotation in quantities. Black is standard.

| TAPPED METRIC SIZES — UnEcon Adjustable Clamping Levers | | | | | | |
|---|-------|------|--------|------|------|------|
| Metric PART NO. | T THD | B | C | D | E | F |
| UDB-947901 | M4 | 16MM | 26.5MM | 42MM | 35MM | 12MM |
| UDB-947902 | M5 | 16MM | 26.5MM | 42MM | 35MM | 12MM |
| UDB-947903 | M6 | 16MM | 26.5MM | 42MM | 35MM | 12MM |
| UDB-947904 | M6 | 20MM | 36MM | 65MM | 50MM | 15MM |
| UDB-947905 | M8 | 20MM | 36MM | 65MM | 50MM | 15MM |
| UDB-947906 | M8 | 25MM | 46MM | 80MM | 63MM | 20MM |
| UDB-947907 | M10 | 25MM | 46MM | 80MM | 63MM | 20MM |
| UDB-947908 | M12 | 25MM | 46MM | 80MM | 63MM | 20MM |

Economical Adjustable Clamping Levers with Studs

Adjustable Clamping Levers with Studs

UnEcon
—
The Name
For **UNITED**
Economy



CLAMPING STUD LEVERS
STUD LEVER TYPE B

GLASS FIBER REINFORCED POLYIMIDE
WITH ZINC PLATED STUD

AVAILABLE IN METRIC AND INCH SIZES.

UnEcon Adjustable Clamping Levers with Stud — INCH SIZES

| Inch PART NO. | T THD | L | B | C | D | E | F |
|---------------|-----------|------|-----|------|------|------|-----|
| UDB-947820 | #10 - 32 | .39 | .63 | 1.04 | 1.65 | 1.38 | .47 |
| UDB-947821 | #10 - 32 | .79 | .63 | 1.04 | 1.65 | 1.38 | .47 |
| UDB-947822 | 1/4 - 20 | .59 | .63 | 1.04 | 1.65 | 1.38 | .47 |
| UDB-947823 | 1/4 - 20 | .79 | .63 | 1.04 | 1.65 | 1.38 | .47 |
| UDB-947824 | 1/4 - 20 | 1.18 | .63 | 1.04 | 1.65 | 1.38 | .47 |
| UDB-947825 | 5/16 - 18 | .59 | .79 | 1.42 | 2.56 | 1.97 | .59 |
| UDB-947826 | 5/16 - 18 | .79 | .79 | 1.42 | 2.56 | 1.97 | .59 |
| UDB-947827 | 5/16 - 18 | 1.18 | .79 | 1.42 | 2.56 | 1.97 | .59 |
| UDB-947828 | 5/16 - 18 | 1.57 | .79 | 1.42 | 2.56 | 1.97 | .59 |
| UDB-947829 | 3/8 - 16 | .79 | .98 | 1.81 | 3.15 | 2.48 | .79 |
| UDB-947830 | 3/8 - 16 | 1.18 | .98 | 1.81 | 3.15 | 2.48 | .79 |
| UDB-947831 | 3/8 - 16 | 1.57 | .98 | 1.81 | 3.15 | 2.48 | .79 |
| UDB-947832 | 3/8 - 16 | 1.97 | .98 | 1.81 | 3.15 | 2.48 | .79 |
| UDB-947833 | 1/2 - 13 | 1.18 | .98 | 1.81 | 3.15 | 2.48 | .79 |
| UDB-947834 | 1/2 - 13 | 1.97 | .98 | 1.81 | 3.15 | 2.48 | .79 |

UnEcon Adjustable Clamping Levers with Stud — METRIC SIZES

| Metric PART NO. | T THD | L | B | C | D | E | F |
|-----------------|-------|------|------|--------|------|------|------|
| UDB-947920 | M5 | 10MM | 16MM | 26.5MM | 42MM | 35MM | 12MM |
| UDB-947921 | M5 | 20MM | 16MM | 26.5MM | 42MM | 35MM | 12MM |
| UDB-947922 | M5 | 30MM | 16MM | 26.5MM | 42MM | 35MM | 12MM |
| UDB-947923 | M6 | 10MM | 16MM | 26.5MM | 42MM | 35MM | 12MM |
| UDB-947924 | M6 | 15MM | 16MM | 26.5MM | 42MM | 35MM | 12MM |
| UDB-947925 | M6 | 20MM | 16MM | 26.5MM | 42MM | 35MM | 12MM |
| UDB-947926 | M6 | 25MM | 16MM | 26.5MM | 42MM | 35MM | 12MM |
| UDB-947927 | M6 | 30MM | 16MM | 26.5MM | 42MM | 35MM | 12MM |
| UDB-947928 | M8 | 15MM | 20MM | 36MM | 65MM | 50MM | 15MM |
| UDB-947929 | M8 | 20MM | 20MM | 36MM | 65MM | 50MM | 15MM |
| UDB-947930 | M8 | 25MM | 20MM | 36MM | 65MM | 50MM | 15MM |
| UDB-947931 | M8 | 30MM | 20MM | 36MM | 65MM | 50MM | 15MM |
| UDB-947932 | M8 | 40MM | 20MM | 36MM | 65MM | 50MM | 15MM |
| UDB-947933 | M10 | 20MM | 25MM | 46MM | 80MM | 63MM | 20MM |
| UDB-947934 | M10 | 30MM | 25MM | 46MM | 80MM | 63MM | 20MM |
| UDB-947935 | M10 | 40MM | 25MM | 46MM | 80MM | 63MM | 20MM |
| UDB-947936 | M10 | 50MM | 25MM | 46MM | 80MM | 63MM | 20MM |
| UDB-947937 | M12 | 30MM | 25MM | 46MM | 80MM | 63MM | 20MM |
| UDB-947938 | M12 | 40MM | 25MM | 46MM | 80MM | 63MM | 20MM |
| UDB-947939 | M12 | 50MM | 25MM | 46MM | 80MM | 63MM | 20MM |

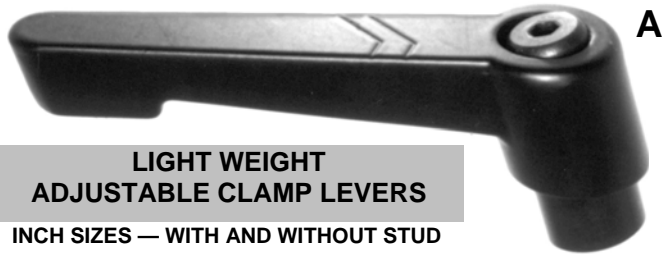
Editor's Special:

**Buy 24 of this style and
get the 25th Lever
for
FREE!**

- ① Long Wear Steel Stud.
- ② Bushing and Stud are steel zinc-plated.
- ③ Handle is made from glass-fiber reinforced polyimide.
- ④ Black Handle Levers and buttons are provided. Other colors available in quantity on request. See previous page.
- ⑤ Most economical Lever available for value and utility.
- ⑥ Resists oils and shop chemicals
- ⑦ **UnEcon — Another UNITED economical product!**

Adjustable Clamping Levers

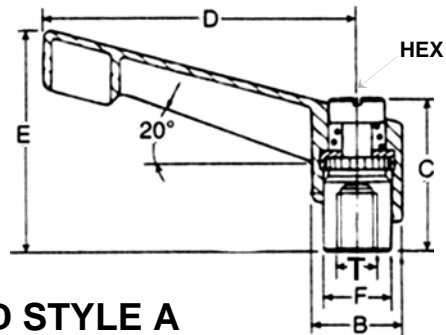
Economical Adjustable Clamping Levers



**LIGHT WEIGHT
ADJUSTABLE CLAMP LEVERS**

INCH SIZES — WITH AND WITHOUT STUD

**THERMOPLASTIC OR TOUGH LONG WEAR
DIE CAST STEEL**



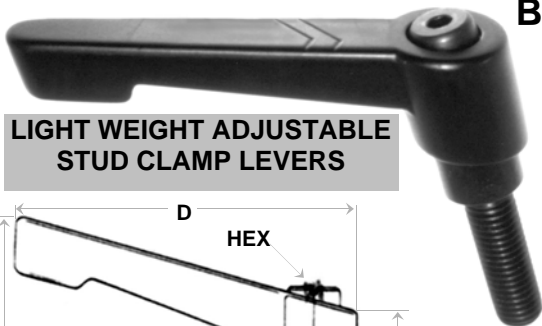
UnEcon
—
**The Name
For UNITED
Economy**

**U. S. Patent
5,533,232**

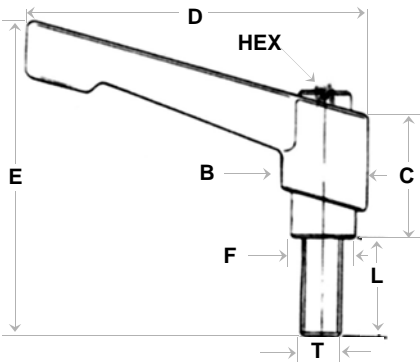
TAPPED STYLE A

UnEcon Adjustable Clamping Levers — INCH SIZES

| PLASTIC HANDLE | DIE CAST HANDLE | T THD | B | C | D | E | F | HEX |
|----------------|-----------------|-----------|------|------|------|------|-----|------|
| UDB-947101P | UDB-947101S | #10 – 24 | .55 | .95 | 1.65 | 1.30 | .39 | 1/8 |
| UDB-947102P | UDB-947102S | #10 – 32 | .55 | .95 | 1.65 | 1.30 | .39 | 1/8 |
| UDB-947103P | UDB-947103S | 1/4 – 20 | .55 | .95 | 1.65 | 1.30 | .39 | 5/32 |
| UDB-947104P | UDB-947104S | 1/4 – 20 | .71 | 1.22 | 2.56 | 1.77 | .53 | 5/32 |
| UDB-947105P | UDB-947105S | 5/16 – 18 | .71 | 1.22 | 2.56 | 1.77 | .53 | 5/32 |
| UDB-947106P | UDB-947106S | 5/16 – 18 | .86 | 1.41 | 3.07 | 2.12 | .63 | 5/32 |
| UDB-947107P | UDB-947107S | 3/8 – 16 | .86 | 1.41 | 3.07 | 2.12 | .63 | 3/16 |
| UDB-947108P | UDB-947108S | 3/8 – 16 | .98 | 1.69 | 3.62 | 2.52 | .75 | 3/16 |
| UDB-947109P | UDB-947109S | 1/2 – 13 | .98 | 1.69 | 3.62 | 2.52 | .75 | 3/16 |
| — | UDB-947112S | 1/2 – 13 | 1.18 | 1.98 | 4.25 | 2.95 | .91 | 3/16 |
| — | UDB-947113S | 5/8 – 11 | 1.18 | 1.98 | 4.25 | 2.95 | .91 | 3/16 |



**LIGHT WEIGHT ADJUSTABLE
STUD CLAMP LEVERS**



STUD TYPE B U.S.A. INCH LEVERS

UnEcon Adjustable Clamping Levers with Stud — INCH SIZES

| PLASTIC HANDLE | DIE CAST HANDLE | T THD | L | B | C | D | E | F | HEX |
|----------------|-----------------|-----------|------|------|------|------|------|-----|------|
| UDB-947331P | UDB-947331S | #10 – 24 | .63 | .55 | .95 | 1.65 | 1.30 | .39 | 1/8 |
| UDB-947332P | UDB-947332S | #10 – 32 | .63 | .55 | .95 | 1.65 | 1.30 | .39 | 1/8 |
| UDB-947333P | UDB-947333S | #10 – 32 | 1.25 | .55 | .95 | 1.65 | 1.30 | .39 | 1/8 |
| UDB-947334P | UDB-947334S | 1/4 – 20 | .78 | .55 | .95 | 1.65 | 1.30 | .39 | 5/32 |
| UDB-947335P | UDB-947335S | 1/4 – 20 | 1.25 | .55 | .95 | 1.65 | 1.30 | .39 | 5/32 |
| UDB-947336P | UDB-947336S | 1/4 – 20 | 1.57 | .55 | .95 | 1.65 | 1.30 | .39 | 5/32 |
| UDB-947337P | UDB-947337S | 1/4 – 20 | .98 | .71 | 1.22 | 2.56 | 1.77 | .53 | 5/32 |
| UDB-947338P | UDB-947338S | 5/16 – 18 | .78 | .71 | 1.22 | 2.56 | 1.77 | .53 | 5/32 |
| UDB-947339P | UDB-947339S | 5/16 – 18 | 1.57 | .71 | 1.22 | 2.56 | 1.77 | .53 | 5/32 |
| UDB-947340P | UDB-947340S | 5/16 – 18 | 1.97 | .86 | 1.41 | 3.07 | 2.12 | .63 | 5/32 |
| UDB-947341P | UDB-947341S | 5/16 – 18 | 2.48 | .71 | 1.22 | 2.56 | 1.77 | .53 | 3/16 |
| UDB-947342P | UDB-947342S | 3/8 – 16 | .78 | .71 | 1.22 | 2.56 | 1.77 | .53 | 3/16 |
| UDB-947343P | UDB-947343S | 3/8 – 16 | 1.25 | .71 | 1.22 | 2.56 | 1.77 | .53 | 3/16 |
| UDB-947344P | UDB-947344S | 3/8 – 16 | 1.57 | .71 | 1.22 | 2.56 | 1.77 | .53 | 3/16 |
| UDB-947345P | UDB-947345S | 3/8 – 16 | 1.57 | .86 | 1.41 | 3.07 | 2.12 | .63 | 3/16 |
| UDB-947346P | UDB-947346S | 3/8 – 16 | 1.97 | .86 | 1.41 | 3.07 | 2.12 | .63 | 3/16 |
| UDB-947347P | UDB-947347S | 3/8 – 16 | 1.57 | .98 | 1.69 | 3.62 | 2.52 | .75 | 3/16 |
| UDB-947348P | UDB-947348S | 3/8 – 16 | 1.97 | .98 | 1.69 | 3.62 | 2.52 | .75 | 3/16 |
| UDB-947349P | UDB-947349S | 1/2 – 13 | 1.25 | .98 | 1.69 | 3.62 | 2.52 | .75 | 3/16 |
| UDB-947350P | UDB-947350S | 1/2 – 13 | 1.57 | .98 | 1.69 | 3.62 | 2.52 | .75 | 3/16 |
| UDB-947351P | UDB-947351S | 1/2 – 13 | 1.97 | .98 | 1.69 | 3.62 | 2.52 | .75 | 3/16 |
| UDB-947352P | UDB-947352S | 1/2 – 13 | 2.48 | .98 | 1.69 | 3.62 | 2.52 | .75 | 3/16 |
| UDB-947353P | UDB-947353S | 1/2 – 13 | 1.57 | 1.18 | 1.98 | 4.25 | 2.95 | .91 | 3/16 |
| UDB-947354P | UDB-947354S | 1/2 – 13 | 2.48 | 1.18 | 1.98 | 4.25 | 2.95 | .91 | 3/16 |
| UDB-947355P | UDB-947355S | 5/8 – 11 | 1.57 | 1.18 | 1.98 | 4.25 | 2.95 | .91 | 3/16 |
| UDB-947356P | UDB-947356S | 5/8 – 11 | 2.48 | 1.18 | 1.98 | 4.25 | 2.95 | .91 | 3/16 |

❶ **Two Handle styles:** Long life die cast Zinc Handle, or

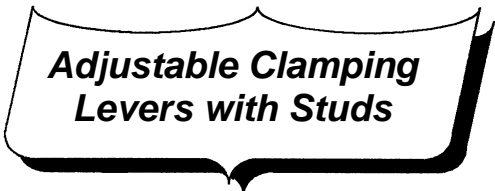
❷ **Handle made from black Thermoplastic with metal insert.**

❸ **Lift and Rotate Handle 360° for ease of use in any environment.**

❹ **Bushing and Stud are made from zinc-plated steel with black oxide finish for durability.**

❺ **UnEcon — Another UNITED economical product!**

Economical Adjustable Clamping Levers with Studs



UNITED UnEcon METRIC Adjustable Clamping Levers

Black Thermoplastic Handle with metal insert

Or

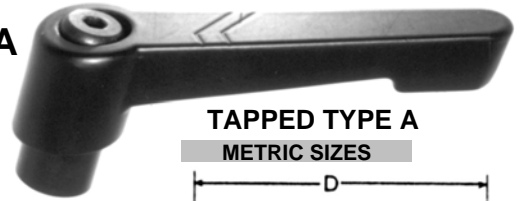
Zinc Die Cast Handle with black finish

| TYPE A – UnEcon Adjustable Clamping Levers Tapped — METRIC | | | | | | | |
|--|--------------|-------|------|------|-------|------|--------|
| P – PLASTIC | S – DIE CAST | T THD | B | C | D | E | F |
| UDB-947201P | UDB-947201S | M4 | 14MM | 24MM | 42MM | 33MM | 10MM |
| UDB-947202P | UDB-947202S | M5 | 14MM | 24MM | 42MM | 33MM | 10MM |
| UDB-947203P | UDB-947203S | M6 | 14MM | 24MM | 42MM | 33MM | 10MM |
| UDB-947204P | UDB-947204S | M6 | 18MM | 31MM | 65MM | 45MM | 13.5MM |
| UDB-947205P | UDB-947205S | M8 | 18MM | 31MM | 65MM | 45MM | 13.5MM |
| UDB-947206P | UDB-947206S | M8 | 22MM | 36MM | 78MM | 54MM | 16MM |
| UDB-947207P | UDB-947207S | M10 | 22MM | 36MM | 78MM | 54MM | 16MM |
| UDB-947208P | UDB-947208S | M10 | 25MM | 43MM | 92MM | 64MM | 19MM |
| UDB-947209P | UDB-947209S | M12 | 25MM | 43MM | 92MM | 64MM | 19MM |
| — | UDB-947210S | M12 | 30MM | 50MM | 108MM | 75MM | 23MM |
| — | UDB-947211S | M16 | 30MM | 50MM | 108MM | 75MM | 23MM |

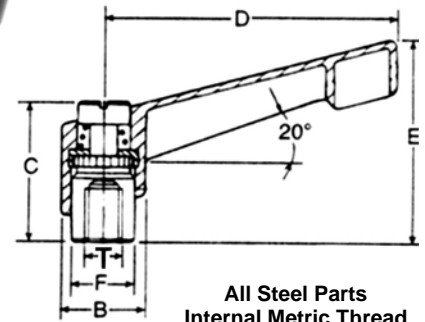
METRIC SIZES

| TYPE B – UnEcon Adjustable Clamping Levers with Stud — METRIC | | | | | | | | |
|---|--------------|-------|------|------|------|-------|------|-------|
| P – PLASTIC | S – DIE CAST | T THD | L | B | C | D | E | F |
| UDB-947401P | UDB-947401S | M5 | 12MM | 14MM | 24MM | 42MM | 33MM | 10MM |
| UDB-947402P | UDB-947402S | M5 | 16MM | 14MM | 24MM | 42MM | 33MM | 10MM |
| UDB-947403P | UDB-947403S | M5 | 20MM | 14MM | 24MM | 42MM | 33MM | 10MM |
| UDB-947404P | UDB-947404S | M6 | 16MM | 14MM | 24MM | 42MM | 33MM | 10MM |
| UDB-947405P | UDB-947405S | M6 | 20MM | 14MM | 24MM | 42MM | 33MM | 10MM |
| UDB-947406P | UDB-947406S | M6 | 25MM | 14MM | 24MM | 42MM | 33MM | 10MM |
| UDB-947407P | UDB-947407S | M6 | 32MM | 14MM | 24MM | 42MM | 33MM | 10MM |
| UDB-947408P | UDB-947408S | M6 | 40MM | 14MM | 24MM | 42MM | 33MM | 10MM |
| UDB-947409P | UDB-947409S | M8 | 20MM | 18MM | 31MM | 65MM | 45MM | 13.5M |
| UDB-947410P | UDB-947410S | M8 | 25MM | 18MM | 31MM | 65MM | 45MM | 13.5M |
| UDB-947411P | UDB-947411S | M8 | 32MM | 18MM | 31MM | 65MM | 45MM | 13.5M |
| UDB-947412P | UDB-947412S | M8 | 40MM | 18MM | 31MM | 65MM | 45MM | 13.5M |
| UDB-947413P | UDB-947413S | M8 | 50MM | 18MM | 31MM | 65MM | 45MM | 13.5M |
| UDB-947414P | UDB-947414S | M8 | 63MM | 18MM | 31MM | 65MM | 45MM | 13.5M |
| UDB-947415P | UDB-947415S | M10 | 20MM | 18MM | 31MM | 65MM | 45MM | 13.5M |
| UDB-947416P | UDB-947416S | M10 | 32MM | 18MM | 31MM | 65MM | 45MM | 13.5M |
| UDB-947417P | UDB-947417S | M10 | 40MM | 18MM | 31MM | 65MM | 45MM | 13.5M |
| UDB-947418P | UDB-947418S | M10 | 50MM | 18MM | 31MM | 65MM | 45MM | 13.5M |
| UDB-947419P | UDB-947419S | M10 | 20MM | 22MM | 36MM | 78MM | 54MM | 16MM |
| UDB-947420P | UDB-947420S | M10 | 32MM | 22MM | 36MM | 78MM | 54MM | 16MM |
| UDB-947421P | UDB-947421S | M10 | 40MM | 22MM | 36MM | 78MM | 54MM | 16MM |
| UDB-947422P | UDB-947422S | M10 | 50MM | 22MM | 36MM | 78MM | 54MM | 16MM |
| UDB-947423P | UDB-947423S | M10 | 63MM | 22MM | 36MM | 78MM | 54MM | 16MM |
| UDB-947424P | UDB-947424S | M12 | 32MM | 25MM | 43MM | 92MM | 64MM | 19MM |
| UDB-947425P | UDB-947425S | M12 | 40MM | 25MM | 43MM | 92MM | 64MM | 19MM |
| UDB-947426P | UDB-947426S | M12 | 50MM | 25MM | 43MM | 92MM | 64MM | 19MM |
| UDB-947427P | UDB-947427S | M12 | 63MM | 25MM | 43MM | 92MM | 64MM | 19MM |
| — | UDB-947428S | M12 | 40MM | 30MM | 50MM | 108MM | 75MM | 23MM |
| — | UDB-947429S | M12 | 63MM | 30MM | 50MM | 108MM | 75MM | 23MM |

A

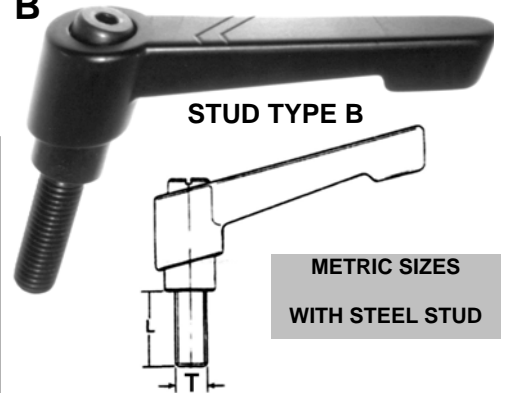


TAPPED TYPE A
METRIC SIZES



All Steel Parts
Internal Metric Thread
with Black Oxide Finish

B



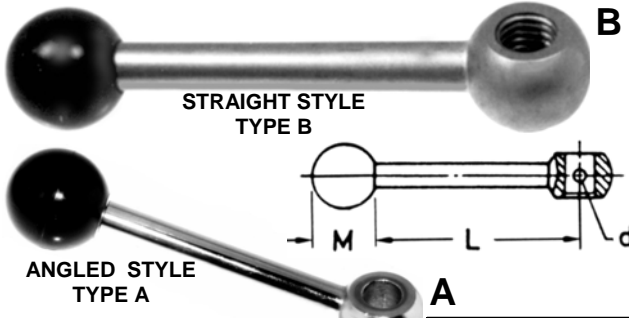
STUD TYPE B

METRIC SIZES
WITH STEEL STUD

- ① **Two Handle styles:** Long life die cast Zinc Handle: S=Steel, or
- ② **Handle made from black Thermoplastic** with metal insert: P=Plastic.
- ③ **Lift and Rotate Handle 360°** for ease of use in any environment.
- ④ **Bushing and Stud are made from zinc-plated steel** with black oxide finish for durability.
- ⑤ **UnEcon — Another UNITED economical product!**

All-Purpose Steel Clamp Levers & Handles

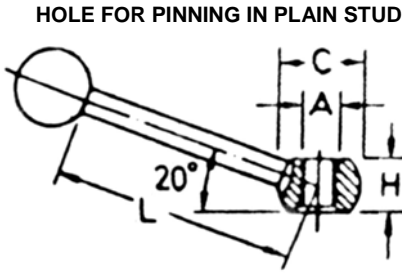
Steel Clamp Levers-Tapped, Reamed, Straight & Angled



UnEcon Versatile Steel Clamp Levers are available in 4 Styles:

- ❶ STRAIGHT and Reamed
- ❷ STRAIGHT and Tapped
- ❸ ANGLED and Reamed
- ❹ ANGLED and Tapped

Steel with plastic ball grip for easy handling

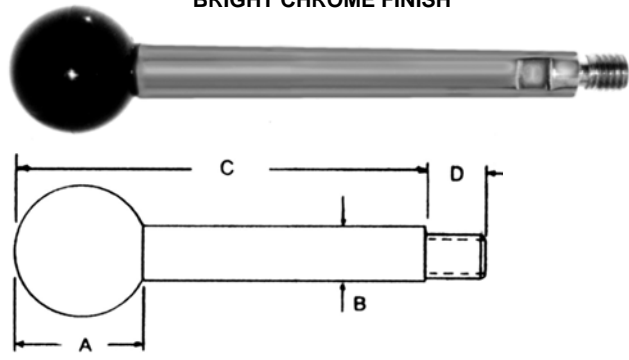


Hard Chrome Plated

| TYPE A – ANGLED | | TYPE B - STRAIGHT | | Steel Clamp Levers-INCH SIZES | | | | | | |
|-----------------|-------------|-------------------|-------------|-------------------------------|--------|-------|-------|-------|------|---|
| REAMED | TAPPED | REAMED | TAPPED | A | I. D. | C | H | L | M | d |
| UDB-800060A | | UDB-800070A | | 1/4 | 5/8 | 7/16 | 2 | 3/4 | 1/8 | |
| | UDB-800060B | | UDB-800070B | 5/16 – 18 | 5/8 | 7/16 | 2 | 3/4 | 1/8 | |
| UDB-800062A | | UDB-800072A | | 5/16 | 25/32 | 9/16 | 2-1/2 | 13/16 | 1/8 | |
| | UDB-800062B | | UDB-800072B | 3/8 – 16 | 25/32 | 9/16 | 2-1/2 | 13/16 | 1/8 | |
| UDB-800064A | | UDB-800074A | | 3/8 | 1" | 3/4 | 3-1/4 | 15/16 | 5/32 | |
| | UDB-800064B | | UDB-800074B | 1/2 – 13 | 1" | 3/4 | 3-1/4 | 15/16 | 5/32 | |
| UDB-800066A | | UDB-800076A | | 1/2 | 1-1/4 | 7/8 | 4" | 1-1/4 | 3/16 | |
| | UDB-800066B | | UDB-800076B | 5/8 – 11 | 1-1/4 | 7/8 | 4" | 1-1/4 | 3/16 | |
| UDB-800068A | | UDB-800078A | | 5/8 | 1-9/16 | 1-1/8 | 5" | 1-1/2 | 1/4 | |
| | UDB-800068B | | UDB-800078B | 3/4 – 10 | 1-9/16 | 1-1/8 | 5" | 1-1/2 | 1/4 | |

LEVER HANDLES — All-Purpose

INCH and METRIC SIZES
BRIGHT CHROME FINISH



UnEcon All-Purpose Lever Handles

Available in Metric or Inch sizes

Plastic ball grip for easy handling

Steel shaft with bright hard chrome finish

Additional sizes available on request.

| UnEcon All-Purpose Lever Handles — INCH SIZES | | | | | |
|---|-----------|-------|-----|-------|-----|
| PLASTIC HANDLE | T THD | A | B | C | D |
| UDB-800080 | #10 – 32 | 3/4 | 1/4 | 1-1/2 | 3/8 |
| UDB-800081 | #10 – 32 | 3/4 | 1/4 | 3" | 3/8 |
| UDB-800082 | 1/4 – 20 | 3/4 | 1/4 | 2-1/2 | 3/8 |
| UDB-800083 | 1/4 – 20 | 3/4 | 1/4 | 3-1/2 | 3/8 |
| UDB-800084 | 1/4 – 20 | 1" | 3/8 | 6" | 1/2 |
| UDB-800085 | 5/16 – 18 | 1" | 3/8 | 2-1/2 | 1/2 |
| UDB-800086 | 5/16 – 18 | 1" | 3/8 | 4" | 1/2 |
| UDB-800087 | 5/16 – 18 | 1" | 3/8 | 6" | 1/2 |
| UDB-800088 | 3/8 – 16 | 1-3/8 | 1/2 | 2-1/2 | 1/2 |
| UDB-800089 | 3/8 – 16 | 1-3/8 | 1/2 | 4" | 1/2 |
| UDB-800090 | 3/8 – 16 | 1-3/8 | 1/2 | 8" | 1/2 |
| UDB-800091 | 1/2 – 13 | 1-7/8 | 5/8 | 6" | 5/8 |
| UDB-800092 | 1/2 – 13 | 1-7/8 | 5/8 | 8" | 5/8 |
| UDB-800093 | 1/2 – 13 | 1-7/8 | 5/8 | 10" | 5/8 |

| UnEcon All-Purpose Lever Handles — METRIC SIZES | | | | | |
|---|-------|--------|------|-------|------|
| Metric PART NO. | T THD | A | B | C | D |
| UDB-800094 | M6 | 18MM | 8MM | 80MM | 9MM |
| UDB-800095 | M6 | 18MM | 8MM | 100MM | 9MM |
| UDB-800096 | M8 | 22.5MM | 10MM | 80MM | 11MM |
| UDB-800097 | M8 | 22.5MM | 10MM | 125MM | 11MM |
| UDB-800098 | M10 | 29MM | 12MM | 125MM | 14MM |
| UDB-800099 | M10 | 29MM | 12MM | 160MM | 14MM |
| UDB-800100 | M12 | 32.5MM | 14MM | 160MM | 16MM |
| UDB-800101 | M14 | 37MM | 16MM | 160MM | 18MM |

Steel Levers with Phenolic Ball Knobs



LEVERS ONLY

ROUND BALL KNOB LEVERS

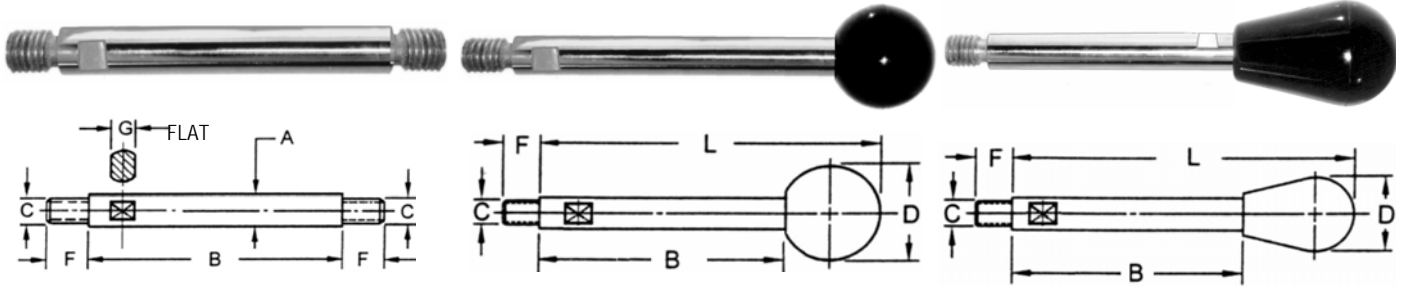
OVAL KNOB LEVERS

STEEL SHAFTS HEAT TREATED, POLISHED SMOOTH WITH BRIGHT CHROME

PRACTICAL

ATTRACTIVE

EFFICIENT



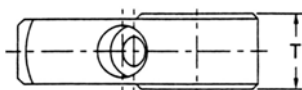
For dimensions not listed (same), refer to 'Lever Only' Chart below.

HEAT TREATED BLACK OXIDE FINISH AVAILABLE

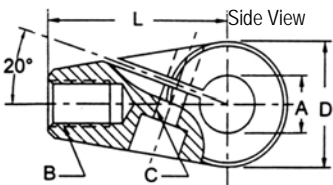
| LEVER ONLY | | | | | | ROUND BALL KNOB | | | | OVAL BALL KNOB | | | |
|------------|------|------------|---------|------------|------|-----------------|---------|------|-------|----------------|---------|------|-------|
| PART NO. | A | B | C | F | G | PART NO. | KNOB | L | D | PART NO. | KNOB | L | D |
| UCC-952060 | 0.31 | 1.6 | 1/4-20 | 3/8 | 1/4 | UCC-952096 | 1/4-20 | 2.3 | 3/4 | UCC-952132 | 1/4-20 | 3.2 | 1" |
| UCC-952061 | | 1.8 | | | | UCC-952097 | | 2.4 | | UCC-952133 | | 3.4 | |
| UCC-952062 | | 2.4 | | | | UCC-952098 | | 3.1 | | UCC-952134 | | 4.0 | |
| UCC-952063 | | 3.3 | | | | UCC-952099 | | 4.0 | | UCC-952135 | | 4.9 | |
| UCC-952064 | | 4.5 | | | | UCC-952100 | | 5.2 | | UCC-952136 | | 6.1 | |
| UCC-952068 | 0.39 | 1.5 | 5/16-18 | 7/16 | 5/16 | UCC-952103 | 5/16-18 | 2.4 | 1" | UCC-952139 | 5/16-18 | 3.1 | 1" |
| UCC-952069 | | 2.2 | | | | UCC-952104 | | 3.1 | | UCC-952140 | | 3.8 | |
| UCC-952070 | | 3.0 | | | | UCC-952105 | | 3.9 | | UCC-952141 | | 4.6 | |
| UCC-952071 | | 4.0 | | | | UCC-952106 | | 4.9 | | UCC-952142 | | 5.6 | |
| UCC-952072 | | 5.5 | | | | UCC-952107 | | 6.4 | | UCC-952143 | | 7.1 | |
| UCC-952076 | 0.47 | 2.0 | 3/8-16 | 1/2 | 3/8 | UCC-952110 | 3/8-16 | 3.1 | 1-3/8 | UCC-952146 | 3/8-16 | 4.5 | 1-5/8 |
| UCC-952077 | | 2.7 | | | | UCC-952111 | | 3.8 | | UCC-952147 | | 5.2 | |
| UCC-952078 | | 3.2 | | | | UCC-952112 | | 4.3 | | UCC-952148 | | 5.7 | |
| UCC-952079 | | 3.7 | | | | UCC-952113 | | 4.8 | | UCC-952149 | | 6.2 | |
| UCC-952080 | | 4.7 | | | | UCC-952114 | | 5.8 | | UCC-952150 | | 7.2 | |
| UCC-952081 | 6.0 | UCC-952115 | 7.1 | UCC-952151 | 8.5 | | | | | | | | |
| UCC-952085 | 0.55 | 3.7 | 1/2-13 | 5/8 | 7/16 | UCC-952118 | 1/2-13 | 5.0 | 1-3/8 | UCC-952153 | 1/2-13 | 6.2 | 1-5/8 |
| UCC-952086 | | 4.7 | | | | UCC-952119 | | 6.0 | | UCC-952154 | | 7.2 | |
| UCC-952087 | | 5.7 | | | | UCC-952120 | | 7.0 | | UCC-952155 | | 8.2 | |
| UCC-952088 | | 6.7 | | | | UCC-952121 | | 8.0 | | UCC-952156 | | 9.2 | |
| UCC-952089 | | 3.7 | | | | UCC-952124 | | 5.2 | | UCC-952157 | | 6.2 | |
| UCC-952090 | 0.62 | 4.4 | 1/2-13 | 5/8 | 1/2 | UCC-952125 | 1/2-13 | 5.9 | 1-1/2 | UCC-952158 | 1/2-13 | 6.9 | 1-5/8 |
| UCC-952091 | | 6.4 | | | | UCC-952126 | | 7.9 | | UCC-952159 | | 8.9 | |
| UCC-952092 | | 8.4 | | | | UCC-952127 | | 9.9 | | UCC-952160 | | 10.9 | |
| UCC-952093 | | 11.0 | | | | UCC-952128 | | 12.9 | | UCC-952161 | | 13.9 | |

HEAT TREATED BLACK OXIDE FINISH — LONG LIFE

Width View



PRECISION BURRED HOLES FOR PRECISE FIT



SELECT 3/8-16 OR 1/2-13 LEVER FROM CHART ABOVE.

LEVER LOCK HANDLE



| PART NO. | A | B | C | D | L | T |
|------------|-----|--------|--------|------|------|------|
| UCC-952164 | 1/2 | 3/8-16 | 1/4-20 | 1.10 | 1.61 | 0.69 |
| UCC-952166 | 5/8 | 1/2-13 | 1/4-20 | 1.26 | 1.77 | 0.77 |

LEVER WITH HANDLE PROVIDES GREATER FLEXIBILITY FOR ALL LEVER APPLICATIONS. SCREW LEVER BAR (SEE ABOVE) INTO LOCK HANDLE AND ORIENT TO ANY POSITION.