

Lifting Devices

Hoist Rings - Eye Bolts

**Snap Rings - Hoist Rings
Hoist Ring Accessories**



**SIDE LOAD
HOIST RINGS Pg K5**



**HOIST RING
CLIPS Pg K3**
**CLIP
RETAINERS
Pg K6**



**SWIVEL HOIST RINGS
Pg K2**



**FORGED SWIVEL
HOIST RINGS Pg K10**



**SWIVEL PIVOT HOIST
RINGS Pg K7**



SIDE PULL HOIST RINGS Pg K13



SWIVEL SNAP RINGS Pg K13



TURNBUCKLES Pg K18



**LOW PROFILE HOIST
RINGS Pg K13**



SS EYE BOLTS Pg K15



**SOCKET HEAD SCREW
REPLACEMENTS Pg K6**



**REPLACEMENT BUSHINGS
Pg K6**



**PIVOT LIFTING PLATES
Pg K8**



**SHOULDER EYE
BOLTS Pg K14**



**EYE NUTS
Pg K18**



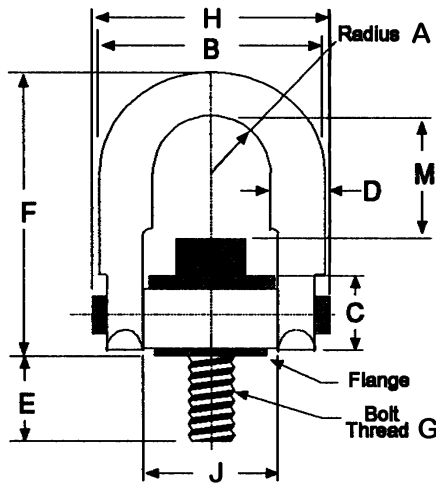
**LIFTING EYE
BOLTS Pg K18**



**STREET PLATE LIFTING RINGS
Pg K11**

Hoist Rings

Ultimate Swivel Hoist Rings



- ★ Engineered for Safety
- ★ 4140 Aircraft Grade Chrome Moly
- ★ Metallurgically Analyzed and Certified
- ★ Heat treated IAW MIL-H -6875
- ★ 100% Mag Part. Inspected ASME 5-7
- ★ Load Tested By Independent Lab
- ★ Black Oxided Per Mil Spec
- ★ Cadmium Plating Available
- ★ 300 Series Stainless Steel Available
- ★ 5:1 Safety Factor
- ★ All-Direction Lifting

SELECT THE SAFEST AND THE LARGEST RATING IN THE SIZE YOU REQUIRE! See Page K3.
ALL SIZES ARE AVAILABLE ON REQUEST IN 316 STAINLESS STEEL WITH 50% LOAD RATING.

UNITED PART NO.	RATED LD #S	THD G	A	B	C	D	E	F	H	J	M	TRQ FT/ #	WT. (LBS)
UDB-923051	800	5/16-18	7/16	1-5/8	45/64	3/8	9/32	2-5/8	1-27/32	1	1.27	7	0.3
UDB-923052	800	5/16-18	7/16	1-5/8	45/64	3/8	17/32	2-5/8	1-27/32	1	1.27	7	0.3
UDB-923053	1,000	3/8-16	7/16	1-5/8	45/64	3/8	17/32	2-5/8	1-27/32	1	1.21	12	0.3
UDB-923301	2,500	1/2-13	11/16	2-7/16	59/64	1/2	1-1/16	3-3/4	2-9/16	1-13/32	1.84	28	1.0
UDB-923004	2,500	1/2-13	7/8	3-1/4	1-7/32	3/4	3/4	4-3/4	3-1/2	2	2.31	28	2.6
UDB-923322*	2,500	1/2-13	7/8	3-1/4	1-7/32	3/4	3/4	6-3/4	3-1/2	2	4.25	28	2.6
UDB-923005	2,500	1/2-13	7/8	3-1/4	1-7/32	3/4	1	4-3/4	3-1/2	2	2.31	28	2.6
UDB-923323*	2,500	1/2-13	7/8	3-1/4	1-7/32	3/4	1	6-3/4	3-1/2	2	4.25	28	2.6
UDB-923006	2,500	1/2-13	7/8	3-1/4	1-7/32	3/4	1-1/4	4-3/4	3-1/2	2	2.31	28	2.6
UDB-923324*	2,500	1/2-13	7/8	3-1/4	1-7/32	3/4	1-1/4	6-3/4	3-1/2	2	4.25	28	2.6
UDB-923001	4,000	5/8-11	7/8	3-1/4	1-7/32	3/4	3/4	4-3/4	3-1/2	2	2.18	60	2.6
UDB-923002	4,000	5/8-11	7/8	3-1/4	1-7/32	3/4	1	4-3/4	3-1/2	2	2.18	60	2.6
UDB-923320*	4,000	5/8-11	7/8	3-1/4	1-7/32	3/4	1	6-3/4	3-1/2	2	4.12	60	2.6
UDB-923003	4,000	5/8-11	7/8	3-1/4	1-7/32	3/4	1-1/4	4-3/4	3-1/2	2	2.18	60	2.6
UDB-923321*	4,000	5/8-11	7/8	3-1/4	1-7/32	3/4	1-1/4	6-3/4	3-1/2	2	4.18	60	2.6
UDB-923007	5,000	3/4-10	7/8	3-1/4	1-7/32	3/4	1	4-3/4	3-1/2	2	2.06	100	3.0
UDB-923325*	5,000	3/4-10	7/8	3-1/4	1-7/32	3/4	1	6-3/4	3-1/2	2	4.00	100	3.0
UDB-923009	5,000	3/4-10	7/8	3-1/4	1-7/32	3/4	1-1/2	4-3/4	3-1/2	2	2.06	100	3.0
UDB-923327*	5,000	3/4-10	7/8	3-1/4	1-7/32	3/4	1-1/2	6-3/4	3-1/2	2	4.00	100	3.0
UDB-923102	7,000	3/4-10	1-13/32	4-13/16	1-11/16	1	1	6-1/2	5-9/16	3	3.06	100	7.0
UDB-923329*	7,000	3/4-10	1-13/32	4-13/16	1-11/16	1	1	8-7/64	5-9/16	3	4.65	100	7.0
UDB-923103	7,000	3/4-10	1-13/32	4-13/16	1-11/16	1	1-1/2	6-1/2	5-9/16	3	3.06	100	7.0
UDB-923330*	7,000	3/4-10	1-13/32	4-13/16	1-11/16	1	1-1/2	8-7/64	5-9/16	3	4.65	100	7.0
UDB-923101	8,000	7/8-9	1-13/32	4-13/16	1-11/16	1	1	6-1/2	5-9/16	3	2.93	160	7.0
UDB-923328*	8,000	7/8-9	1-13/32	4-13/16	1-11/16	1	1	8-7/64	5-9/16	3	4.52	160	7.0
UDB-923105	10,000	1-8	1-13/32	4-13/16	1-11/16	1	1-1/4	6-1/2	5-9/16	3	2.81	230	7.5
UDB-923331*	10,000	1-8	1-13/32	4-13/16	1-11/16	1	1-1/4	8-7/64	5-9/16	3	2.30	230	7.5
UDB-923106	10,000	1-8	1-13/32	4-13/16	1-11/16	1	1-1/2	6-1/2	5-9/16	3	2.81	230	7.5
UDB-923332*	10,000	1-8	1-13/32	4-13/16	1-11/16	1	1-1/2	8-7/64	5-9/16	3	4.40	230	7.5
UDB-923107	10,000	1-8	1-13/32	4-13/16	1-11/16	1	2-1/4	6-1/2	5-9/16	3	2.81	230	7.5
UDB-923333*	10,000	1-8	1-13/32	4-13/16	1-11/16	1	2-1/4	8-7/64	5-9/16	3	4.40	230	7.5
UDB-923401	15,000	1 1/2-7	1-3/4	6	2-7/64	1-1/4	2	8-3/4	6-1/2	3-3/4	4.12	470	14.0
UDB-923202HR	24,000	1 1/2-6	2-1/4	8	2-13/16	1-3/4	2-3/4	12-15/32	8-35/64	4-7/8	6.41	800	34.0
UDB-923200HR	30,000	2-4 1/2	2-1/4	8	2-13/16	1-3/4	3	12-15/32	8-35/64	4-7/8	5.41	800	36.0
UDB-923501	50,000	2 1/2-8	3	10-1/2	4-3/32	2-1/4	4	16-7/8	11-43/64	6-1/2	8.03	2100	88.0
UDB-923503	50,000	2 1/2-4	3	10-1/2	4-3/32	2-1/4	4	16-7/8	11-43/64	6-1/2	8.03	2100	88.0
UDB-923600	75,000	3-4	3-3/4	13	5-17/64	2-3/4	5-1/4	19-1/2	14-5/32	8-7/64	8.48	4300	166.0
UDB-923701	100,000	3 1/2-4	4	14	6-1/16	3-1/4	7	22-3/32	15-29/32	8-7/64	9.28	5100	265.0

* LONG BAR To specify replacement Bushing, Clip Retainer, Screw and Washer, add BCSW to Part No. Example: UDB-923701-BCSW

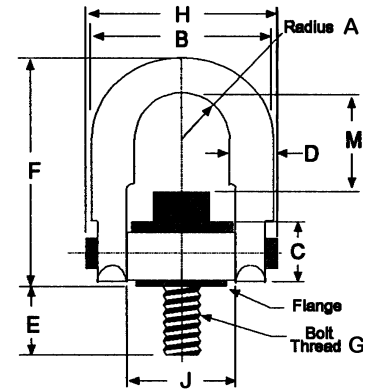
Metric Swivel Hoist Rings



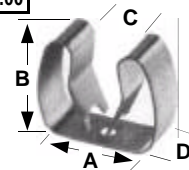
ALL SIZES ARE AVAILABLE ON REQUEST IN 316 STAINLESS STEEL.
For Replacement Set of Bushing, Clip Retainer, Screw and Washer, add BCSW to Part No. Ex: UDB-924008-BCSW

UNITED PART NO.	RATED LOAD (KG)	G THREAD	A	B	C	D	E	F	H	J	M	TORQ (KG)	WT. (KG)
UDB-924008	400	M8x1.25	10.9	41	18	9.7	12.5	68	47	25	32.1	0.86	0.17
UDB-924010	500	M10x1.50	10.9	41	18	9.7	17.5	68	47	25	30.2	1.50	0.17
UDB-924012**	1050	M12x1.75	22.4	83	30	19.0	19.0	121	89	51	59.4	3.70	1.08
UDB-923562	1050	M12x1.75	22.4	83	30	19.0	19.0	171	89	51	109.4	3.70	1.08
UDB-924016	1900	M16x2.00	22.4	83	30	19.0	29.0	121	89	51	55.4	8.40	1.12
UDB-923565	1900	M16x2.00	22.4	83	30	19.0	29.0	171	89	51	105.4	8.40	1.12
UDB-924020**	2150	M20x2.50	22.4	83	30	19.0	34.0	121	89	51	51.4	14.00	1.19
UDB-923563	2150	M20x2.50	22.4	83	30	19.0	34.0	171	89	51	101.4	14.00	1.19
UDB-924022**	3000	M20x2.50	35.6	122	43	25.4	32.0	166	131	76	77.0	14.00	3.03
UDB-923571	3000	M20x2.50	35.6	122	43	25.4	32.0	206	131	76	113.0	14.00	3.03
UDB-924024**	4200	M24x3.00	35.6	122	43	25.4	37.0	166	131	76	73.0	31.00	3.10
UDB-923574	4200	M24x3.00	35.6	122	43	25.4	37.0	206	131	76	78.0	31.00	3.10
UDB-924040	7000	M30x3.50	44.5	152	54	31.7	41.9	222	165	95	106.3	60.00	6.30
UDB-924042	7000	M30x3.50	44.5	152	54	31.7	61.7	222	165	95	106.3	60.00	6.40
UDB-924050	11000	M36x4.00	57.2	203	71	44.4	63.5	317	217	124	164.8	100.00	15.50
UDB-924052	12500	M42x4.50	57.2	203	71	44.4	82.4	317	217	124	158.8	100.00	16.00
UDB-924054	13500	M48x5.00	57.2	203	71	44.4	82.4	317	217	124	152.8	100.00	16.80
UDB-924060	22000	M64x6.00	76.2	266	104	57.2	101.0	428	296	165	165.6	273.00	39.00

** LONG BAR, SPECIFY.



HOIST RING CLIPS	UNITED PART NO.	FITS RING DIA:	A	B	C	D
	UDB-1-HRC	3/8, 7/16, 5/8	1-3/8	15/16	5/16	1/2
	UDB-2-HRC	3/4, 1-1/16	1-5/8	1-1/4	3/4	5/8



HOIST RING CLIPS

UNITED'S TEN COMMANDMENTS FOR HOIST RING SAFETY will prevent misuse and failure. Inspect for wear and for strict adherence to use and safety instructions.

1. Calculate the load on each hoist ring correctly. Unevenly distributed loads will produce greater forces at shallow lift angles. Use the formula below.
2. Never exceed the RATED load capacity.
3. Tighten mounting screws to recommended torque.
4. Check torque periodically because screws may loosen.
5. Lift gradually. Do not apply shock loads.
6. Repeat magnaflux testing if shock load occurs.
7. Do not use spacers between hoist ring and mounting surface.
8. Do not allow hoist rings to bind! Use spreader bars.
9. Mounting surface must be flat for smooth full ring contact. Never let the side of the ring contact anything!
10. Never lift with a hook or pin capable of deforming the ring.

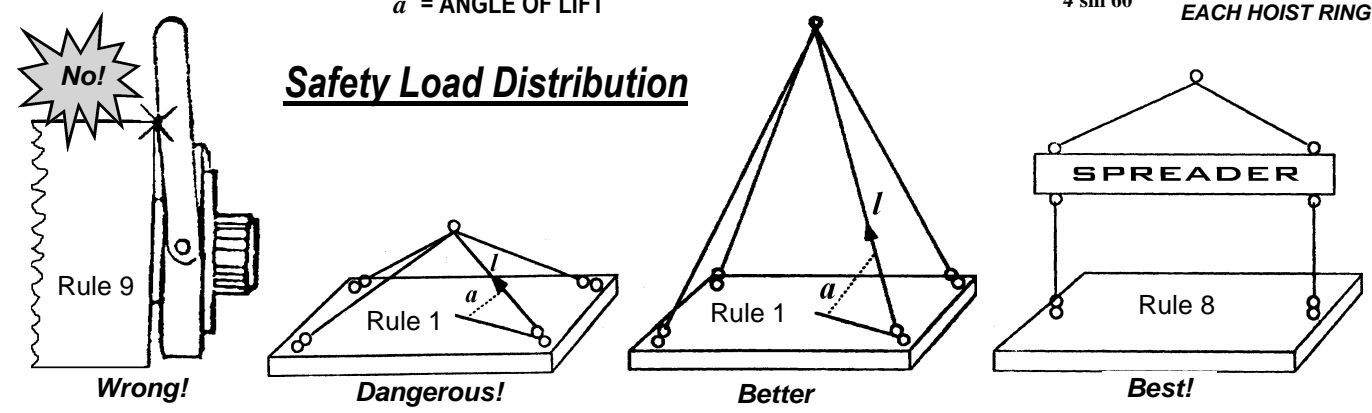
REMEMBER: The actual lifting strength on each hoist ring is significant and based on the relevant situation. More complex than the mere total weight divided by the number of hoist rings, the equation below illustrates angle and distribution factors and demonstrates the importance of safety precautions.

FORMULA:
$$l = \frac{w}{n \sin a}$$

l = LIFT STRENGTH OF EACH HOIST RING
 w = WEIGHT TOTAL
 n = NUMBER OF HOIST RINGS
 a = ANGLE OF LIFT

EXAMPLE: $w = 2000$ LBS., $n = 4$, $a = 60^\circ$

$$l = \frac{2000}{4 \sin 60} = 577 \text{ LBS. EACH HOIST RING}$$



**Convert To UNITED's
Ultimate Hoist Rings!**

Hoist Ring Conversions

UNITED CALIFORNIA CORPORATION

METRIC CONVERSIONS



ADB	ALL AMER	CARR LANE	CROSBY	JERGENS	UNITED	THREAD SIZE	RATED LOAD
24008	474-00	CLM-800-SHR-2		23456	<i>UDB-924008</i>	M8x1.25	400
			1016602		<i>UDB-923457</i>	M8x1.25	400
24010	474-01	CLM-1000-SHR-1	1016613	23458	<i>UDB-924010</i>	M10x1.50	500
24012	474-02	CLM-2500-SHR-1	1016624	23462	<i>UDB-924012</i>	M12x1.75	1,050
				23562	<i>UDB-923562</i>	M12x1.75	1,050
**24016	474-03	CLM-4000-SHR-2	1016635	23465	<i>UDB-924016</i>	M16x2.00	1,900
				23565	<i>UDB-923565</i>	M16x2.00	1,900
24020	474-04		1016644	23468	<i>UDB-924020</i>	M20x2.50	2,150
				23568	<i>UDB-923563</i>	M20x2.50	2,150
24022	474-05		1016657	23471	<i>UDB-924022</i>	M20x2.50	3,000
23571				23571	<i>UDB-923571</i>	M20x2.50	3,000
24024	474-06		1016668	23474	<i>UDB-924024</i>	M24x3.00	4,200
23574				23574	<i>UDB-923574</i>	M24x3.00	4,200
24030					<i>UDB-924030</i>	M30x3.50	4,200
24040	474-07		1016679	23478	<i>UDB-924040</i>	M30x3.50	7,000
24042	474-08			23479	<i>UDB-924042</i>	M30x3.50	7,000
24050	474-09		1016690	23483	<i>UDB-924050</i>	M36x4.00	11,000
24052	474-10		1016701	23484	<i>UDB-924052</i>	M42x4.50	12,500
24054	474-11		1016712	23485	<i>UDB-924054</i>	M48x5.00	13,500
24060					<i>UDB-924060</i>	M64x6.00	22,000

USA CONVERSIONS

ADB	ALL AMER	BOEING	CARR LANE	CROSBY	JERGENS	UNITED	THREAD SIZE	THREAD LENGTH	RATED LOAD
23051			CL-800-SHR-1			<i>UDB-923051</i>	5/16-18	9/32	800
23052	472-00	UT-7141-0	CL-800-SHR-2	1016887	23406	<i>UDB-923052</i>	5/16-18	17/32	800
23053	472-02	UT-7141-1	CL-1000-SHR-1	1016898	23408	<i>UDB-923053</i>	3/8-16	17/32	1,000
23301	472-04				23410	<i>UDB-923301</i>	1/2-13	1-1/16	2,500
23004	472-06	UT-7141-2	CL-2500-SHR-1	1016909	23411	<i>UDB-923004</i>	1/2-13	3/4	2,500
23322	472-54				23511	<i>UDB-923322</i>	1/2-13		2,500
23005	472-08		CL-2500-SHR-2		23412	<i>UDB-923005</i>	1/2-13	1	2,500
23323	472-56				23512	<i>UDB-923323</i>	1/2-13		2,500
23006	472-10	UT-7141-2A	CL-2500-SHR-3	1016912	23413	<i>UDB-923006</i>	1/2-13	1-1/4	2,500
23324	472-58				23513	<i>UDB-923324</i>	1/2-13		2,500
23001	472-12		CL-4000-SHR-1	1016920		<i>UDB-923001</i>	5/8-11	3/4	4,000
23002		UT-7141-3	CL-4000-SHR-2		23414	<i>UDB-923002</i>	5/8-11	1	4,000
23320	472-60				23514	<i>UDB-923320</i>	5/8-11		4,000
23003	472-14	UT-7141-3A	CL-4000-SHR-3		23415	<i>UDB-923003</i>	5/8-11	1-1/4	4,000
23321	472-62				23515	<i>UDB-923321</i>	5/8-11		4,000
23007	472-16	UT-7141-4	CL-5000-SHR-1	1016931	23417	<i>UDB-923007</i>	3/4-10	1	5,000
23325	472-64				23517	<i>UDB-923325</i>	3/4-10		5,000
23009	472-18	UT-7141-4A	CL-5000-SHR-2	1016935	23418	<i>UDB-923009</i>	3/4-10	1-1/2	5,000
23327	472-66				23518	<i>UDB-923327</i>	3/4-10		5,000
23102	472-20	UT-7141-7	CL-7000-SHR-1	1016942	23420	<i>UDB-923102</i>	3/4-10	1	7,000
23329	472-68				23520	<i>UDB-923329</i>	3/4-10		7,000
23103	472-22	UT-7141-7A	CL-7000-SHR-2	1016946	23421	<i>UDB-923103</i>	3/4-10	1-1/2	7,000
23330	472-70				23521	<i>UDB-923330</i>	3/4-10		7,000
23101	472-24	UT-7141-8-1	CL-8000-SHR-1	1016953	23423	<i>UDB-923101</i>	7/8-9	1	8,000
23328	472-72				23523	<i>UDB-923328</i>	7/8-9		8,000
23104			CL-8000-SHR-2	1016957	23424	<i>UDB-923104</i>	7/8-9		8,000
23105	472-26		CL-10000-SHR-1	1016964	23425	<i>UDB-923105</i>	1-8	1-1/4	10,000
23331	472-74				23525	<i>UDB-923331</i>	1-8		10,000
23106	472-28	UT-7141-10	CL-10000-SHR-2		23426	<i>UDB-923106</i>	1-8	1-1/2	10,000
23332	472-76				23526	<i>UDB-923332</i>	1-8		10,000
23107	472-30	UT-7141-10A	CL-10000-SHR-3	1016969	23427	<i>UDB-923107</i>	1-8	2-1/4	10,000
23333	472-78				23527	<i>UDB-923333</i>	1-8		10,000
23401	472-32	UT-7141-15		1016975	23429	<i>UDB-923401</i>	1 1/4-7	2	15,000
23202	472-34	UT-7141-24		1016986	23433	<i>UDB-923202HR</i>	1 1/2-6	2-3/4	24,000
23200	472-36	UT-7141-30-1		1016997	23435	<i>UDB-923200HR</i>	2-4 1/2	3	30,000
23501	472-37					<i>UDB-923501</i>	2 1/2-8	4	50,000
23503	472-38	UT-7141-75				<i>UDB-923503</i>	2 1/2-4	4	50,000
23600	472-39					<i>UDB-923600</i>	3-4	5-1/4	75,000
23701						<i>UDB-923701</i>	3 1/2-4	7	100,000

* LONG BAR

** LONG BAR MODEL ALSO AVAILABLE

Side Load Hoist Rings

Certified Material Rated Loads



HOOK ON TO OUR EXTRA LARGE DIAMETER QUALITY TESTED RINGS!

SIDE LOAD HOIST RINGS

SMOOTH SWIVELING 360° PIVOTING 180°

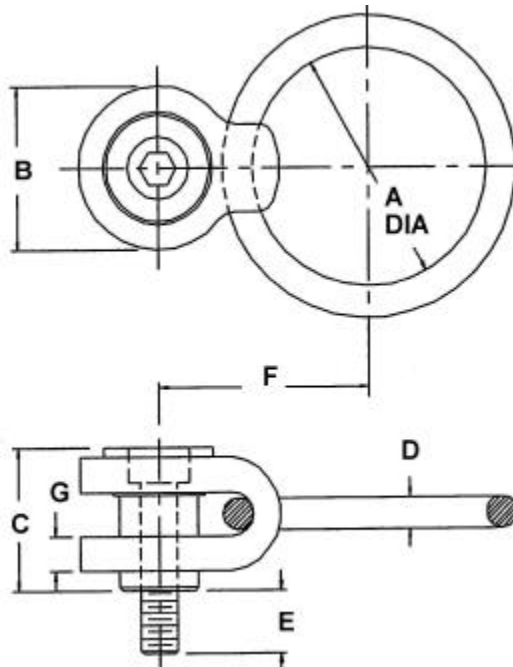
USE THE STATED TORQUE AND THREAD LOADS WHEN INSTALLING THE HOIST RING.

ALLOWS YOU TO FLIP AND TURN PARTS WITHOUT UNHOOKING.

CONVENIENT!

THREAD SIZES 5/16" TO 2"

SEE PAGE K3 FOR HOIST RING CLIPS.



HEAT TREATED — PROOF TESTED — BLACK OXIDE FINISH. RING, BUSHING AND BOLT ARE MAG PARTICLE INSPECTED. MATERIAL IS 4140. SAFETY RATING FACTOR IS 5:1.

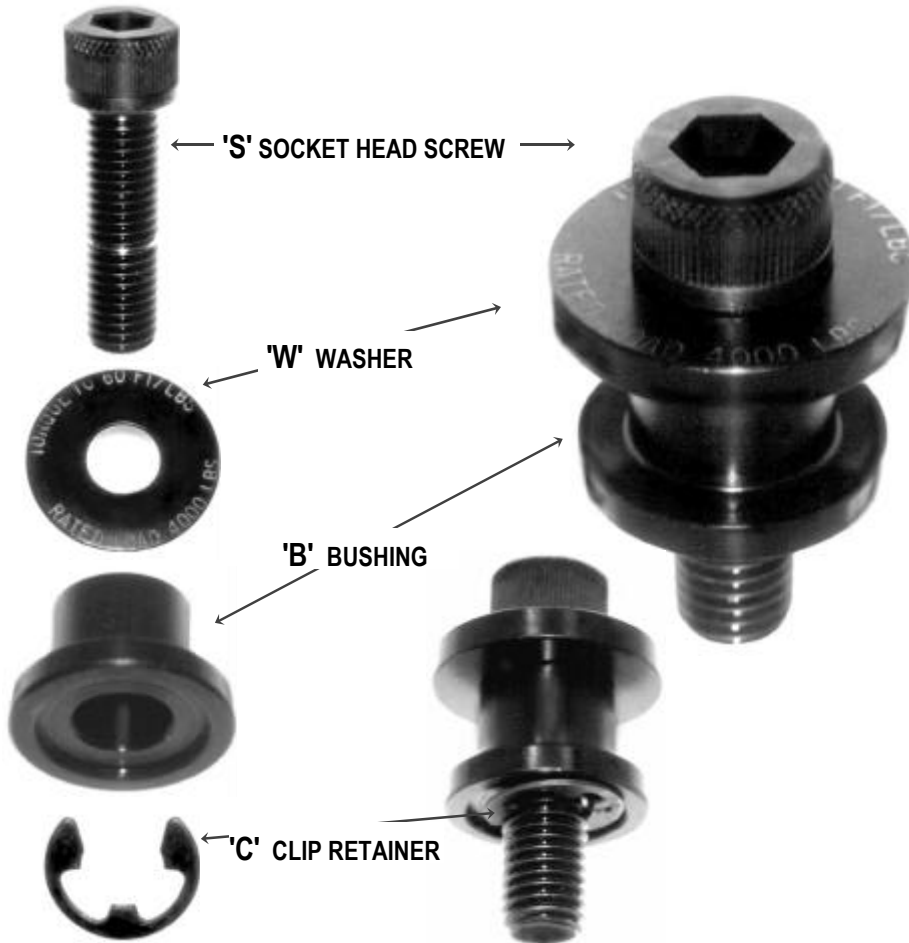
STANDARD SIZES												
UNITED PART NO.	RATED LOAD LBS.	THREAD SIZE	A	B	C	D	E	F	G	TORQUE FT/LBS.	WT. LBS.	REPLACEMENT SET OF BOLT, CLIPS & SCREW
UDB-943510	650	5/16 18	2"	1-1/2	1-7/16	3/8	5/8	1-15/16	3/8	3.5	1/4	UDB-943510-BCS
UDB-943515	800	3/8 16	2"	1-1/2	1-7/16	3/8	3/4	1-15/16	3/8	4.5	1/4	UDB-943515-BCS
UDB-943520	1800	1/2 13	3"	2-3/8	2-1/4	5/8	1"	3"	1/2	15	3-1/4	UDB-943520-BCS
UDB-943525	2500	5/8 11	3"	2-3/8	2-1/4	5/8	1-1/4	3"	1/2	25	3-1/4	UDB-943525-BCS
UDB-943530	4000	3/4 10	4"	3-3/4	3-3/8	1"	1-1/2	4-1/2	3/4	50	11-1/4	UDB-943530-BCS
UDB-943535	5500	7/8 9	4"	3-3/4	3-3/8	1"	2"	4-1/2	3/4	80	11-1/4	UDB-943535-BCS
UDB-943540	7000	1 8	4"	3-3/4	3-3/8	1"	2"	4-1/2	3/4	90	11-1/4	UDB-943540-BCS
UDB-943545	14000	1-1/4 7	6"	4-5/8	4-5/8	1-3/8	2"	6-1/4	1"	150	11-1/2	UDB-943545-BCS
UDB-943550	17000	1-1/2 6	6"	4-5/8	4-5/8	1-3/8	2-1/2	6-1/4	1"	250	27-3/4	UDB-943550-BCS
UDB-943555	29000	2 4-1/2	5-1/4 x 10-1/2	4-5/8	6-5/8	1-1/2	3-1/8	11-1/8	1"	300	31-1/2	UDB-943555-BCS

METRIC THREAD and LOAD SIZES												
UNITED PART NO.	RATED LOAD KGS.	THREAD SIZE	A	B	C	D	E	F	G	TORQUE FT/LBS.	WT. LBS.	REPLACEMENT SET OF BOLT, CLIPS & SCREW
UDB-943560	325	M8 x 1.25	2	1-1/2	1-7/16	3/8	16	1-15/16	3/8	3.5	1/4	UDB-943560-BCS
UDB-943565	500	M10 x 1.50	2	1-1/2	1-7/16	3/8	20	1-15/16	3/8	4.5	1/4	UDB-943565-BCS
UDB-943570	725	M12 x 1.75	3	2-3/8	2-1/4	5/8	24	3"	1/2	15	3-1/4	UDB-943570-BCS
UDB-943575	1400	M16 x 2.00	3	2-3/8	2-1/4	5/8	31	3"	1/2	25	3-1/4	UDB-943575-BCS
UDB-943580	2290	M20 x 2.50	4	3-3/4	3-3/8	1"	40	4-1/2	3/4	50	11-1/4	UDB-943580-BCS
UDB-943585	3050	M24 x 3.00	4	3-3/4	3-3/8	1"	47	4-1/2	3/4	80	11-1/4	UDB-943585-BCS
UDB-943590	4850	M30 x 3.50	6	4-5/8	4-5/8	1-3/8	44	6-1/4	1"	150	27-3/4	UDB-943590-BCS

**Hoist Ring
Replacement Sets**

Replacement Bushings, Clips, Screws & Washers

REPLACEMENT SETS FOR HOIST RINGS



**KEEP YOUR
HOIST RING
RATINGS AT
FULL CAPACITY!**

**AVOID POSSIBLE
LOSS OF LOADS
DUE TO FATIGUE.**

**MAINTAIN
FULL SAFETY
CONDITIONS.**

**CHANGE YOUR BUSHINGS, CLIP RETAINERS, SCREWS AND WASHERS
AS REQUIRED BY YOUR LOAD, COMPANY OR OSHA STANDARDS.**

For individual parts, specify B, C, S or W after the UNITED Hoist Ring Part No.

Examples:

Individual parts: UDB-923051-**B** = BUSHING REPLACEMENT
 UDB-923051-**C** = CLIP RETAINER REPLACEMENT
 UDB-923051-**S** = SCREW REPLACEMENT
 UDB-923051-**W** = WASHER REPLACEMENT

Partial Sets: UDB-923051-**BC** = BUSHING and CLIP RETAINER REPLACEMENT
 UDB-923051-**SW** = SCREW and WASHER REPLACEMENT

Complete Set: **UDB-923051-BCSW = COMPLETE SET REPLACEMENT**

**All parts are Aircraft Quality Material 'Chrome Moly' AISI 4140.
Mag Particle inspected.
Heat Treated and fully inspected.**

Swivel-Pivot Hoist Rings With Round Base

Swivel-Pivot Round
Base Hoist Rings

SWIVEL-PIVOT HOIST RINGS

SWIVELS 360° AND PIVOTS 180°!



HIGH STRENGTH
ALLOY SCREWS
MUST BE USED
TO OBTAIN
MAXIMUM LOAD
CAPACITY!

STRONG!

THREAD SIZES
1/2" TO 1-12"

SEE PAGE K3
FOR HOIST RING
CLIPS.

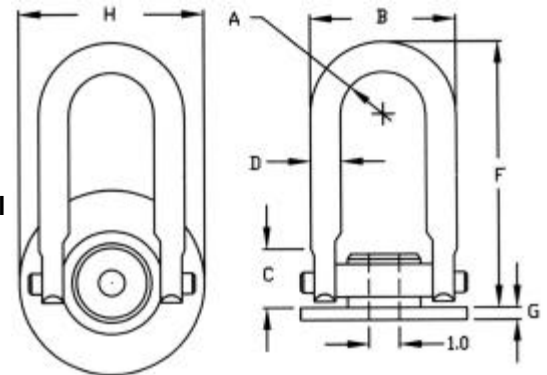
UNITED WILL BE
PLEASED TO
ASSIST IN YOUR
SCREW
SELECTION.



High Strength Alloy Screws must be used to obtain maximum rated load capacities. Material is 4140 Aircraft High Quality Steel heat treated and certified. All parts are magnetic particle inspected.

This Wide Round Base distributes shear loads. Loads are rated 2,500 thru 20,000 lbs. Swivel-Pivot Round Base Hoist Rings are ideal when used with an anchor or stud cast into concrete or equal

Mount the Hoist Ring and Plate. Lift correctly, smoothly and safely. Your thread engagement should be a minimum 1-1/2 times the diameter of equivalent Grade 8 Alloy steel screws.



SMOOTH SWIVELING 360° — PIVOTING 180°
USE THE STATED TORQUE AND THREAD
LOADS WHEN INSTALLING THE HOIST RING.

HEAT TREATED — PROOF TESTED — BLACK OXIDE FINISH PER MIL SPEC.
RING, BUSHING AND BOLT ARE MAG PARTICLE INSPECTED.
MATERIAL IS 4140 SAFETY RATING. SAFETY FACTOR IS 5:1.

SWIVEL — PIVOT HOIST RINGS WITH ROUND BASE

UNITED PART NO.	RATED LOAD LBS.	A	B	C	D	H	F	G	I	THREAD SIZE	TORQUE FT/LBS.	REPLACEMENT SET OF BOLT, CLIPS & SCREW
UDB-944646	2500	0.88	3-1/4	1-7/64	3/4	3.5	6-3/4	1/4	1/2	1/2 13	28	UDB-944602-BCS
UDB-944642	4000	0.88	3-1/4	1-7/64	3/4	3.5	6-3/4	1/4	5/8	5/8 - 11	60	UDB-944604-BCS
UDB-944654	5000	0.88	3-1/4	1-7/64	3/4	3.5	6-3/4	1/4	3/4	3/4 10	100	UDB-944605-BCS
UDB-944660	7000	1.40	4-13/16	1-1/2	1"	5.0	8-7/64	13/32	3/4	3/4 10	100	UDB-944607-BCS
UDB-944656	8000	1.40	4-13/16	1-1/2	1"	5.0	8-7/64	13/32	7/8	7/8 9	160	UDB-944608-BCS
UDB-944666	10000	1.40	4-13/16	1-1/2	1"	5.0	8-7/64	13/32	1	1 8	230	UDB-944610-BCS
UDB-944802	15000	1.75	6"	1-7/8	1-1/4	7.0	8-3/4	1/2	1-1/4	1-1/4 7	470	UDB-944615-BCS
UDB-944704	20000	2.00	7-11/32	2"	1-1/2	7.0	10-7/64	1/2	1-1/2	1-1/2 6	800	UDB-944620-BCS