

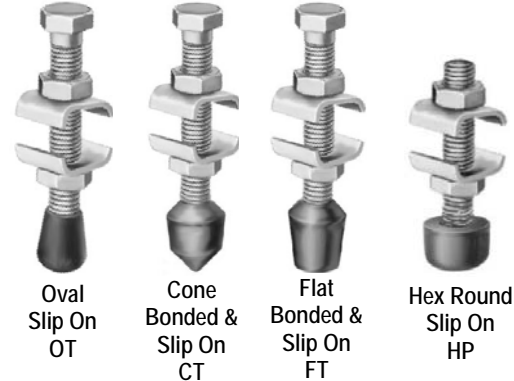
Complete Spindle Assemblies For All Toggle Clamps



Refer to next page for additional Spindles and Accessories.

SPINDLE ASSEMBLIES FOR OPEN BAR TOGGLE CLAMPS

Spindle Assembly	Spindle	U-Washer (2 EA.)	Hex Nuts (2 EA.)	Neoprene Caps
UDB-965400	UDB-965500—8-32 x 1		UDB-965550	UDB-965575
UDB-965405	UDB-965505—1/4-20 x 1-3/4		UDB-965555	UDB-965575
UDB-965410	UDB-965505—1/4-20 x 1-3/4	UDB-965530	UDB-965555	UDB-965575
UDB-965420	UDB-965510—5/16-18 x 2-1/4	UDB-965534	UDB-965560	UDB-965580
UDB-965425	UDB-965515—5/16-18 x 2-3/4	UDB-965536	UDB-965560	UDB-965580
UDB-965430	UDB-965520—3/8-16 x 4	UDB-965538	UDB-965565	UDB-965585
UDB-965435	UDB-965520—3/8-16 x 4	UDB-965540	UDB-965565	UDB-965585

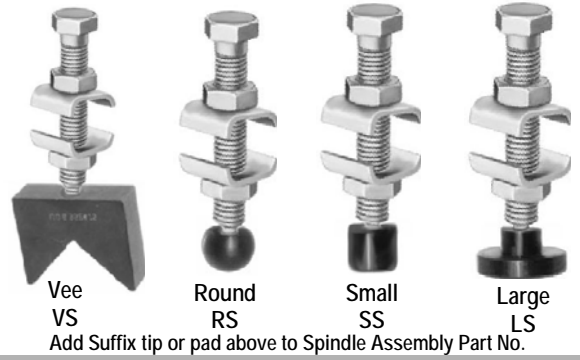


Add Suffix tip or pad above to Spindle Assembly Part No.

Swivel Pads are shown on Page I-4.

SWIVEL SPINDLE ASSEMBLIES FOR OPEN BAR TOGGLE CLAMPS

Spindle Assembly	Spindle	U-Washer (2 EA.)	Hex Nuts (2 EA.)	Swivel Pads
UDB-965400S	UDB-965500—8-32 x 1		UDB-965550	UDB-965575
UDB-965405S	UDB-965505—1/4-20 x 1-3/4		UDB-965555	UDB-965575
UDB-965410S	UDB-965505—1/4-20 x 1-3/4	UDB-965530	UDB-965555	UDB-965575
UDB-965420S	UDB-965510—5/16-18 x 2-1/4	UDB-965534	UDB-965560	UDB-965580
UDB-965425S	UDB-965515—5/16-18 x 2-3/4	UDB-965536	UDB-965560	UDB-965580
UDB-965430S	UDB-965520—3/8-16 x 4	UDB-965538	UDB-965565	UDB-965585
UDB-965435S	UDB-965520—3/8-16 x 4	UDB-965540	UDB-965565	UDB-965585

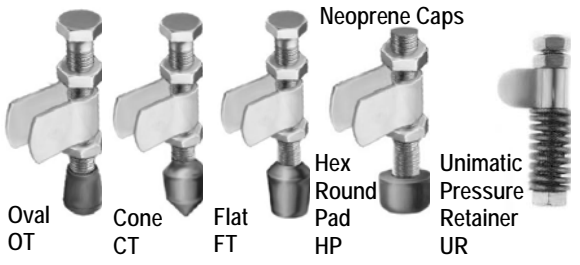


Add Suffix tip or pad above to Spindle Assembly Part No.

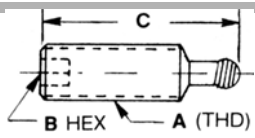
For Weld On Applications

SPINDLE ASSEMBLIES FOR SOLID BAR TOGGLE CLAMPS

Spindle Assembly	Spindle	Solid Bar Retainer	Hex Nuts (2 EA.)	Neoprene Caps
UDB-965450	UDB-965505—1/4-20 x 1-3/4	UDB-965600	UDB-965555	UDB-965575
UDB-965455	UDB-965505—1/4-20 x 1-3/4	UDB-965605	UDB-965555	UDB-965575
UDB-965460	UDB-965510—5/16-18 x 2-1/4	UDB-965610	UDB-965560	UDB-965575
UDB-965470	UDB-965515—5/16-18 x 2-3/4	UDB-965620	UDB-965560	UDB-965580
UDB-965475	UDB-965520—3/8-16 x 4	UDB-965625	UDB-965565	UDB-965580
UDB-965480	UDB-965520—3/8-16 x 4	UDB-965630	UDB-965565	UDB-965585



Add Suffix tip or pad above to Spindle Assembly Part No.



Threaded Spindles See Page I-4.

Threaded Spindles with ball threads for swivel pads used on Push-Pull Clamps. SUPPLIED WITH HEX NUT

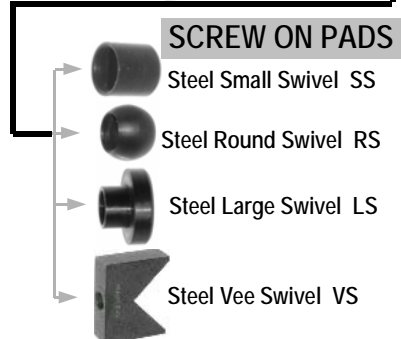
THREADED SPINDLES Hex Ball Thread



PART NO.	HEADLESS TYPE SCREW BODIES		C
	A-BODY	B	
UDB-952301			15/32
UDB-952303	1/4-20	1/8	23/32
UDB-952305	BALL THD is 8-36-LH		31/32
UDB-952307			1-15/32
UDB-952309			23/32
UDB-952311	5/16-18	5/32	31/32
UDB-952313	BALL THD is 12-28-LH		1-15/32
UDB-952315			1-31/32

PART NO.	HEADLESS TYPE SCREW BODIES		C
	A-BODY	B	
UDB-952317			11/16
UDB-952319			15/16
UDB-952321	3/8-16	3/16	1-7/16
UDB-952323	BALL THD is 1/4-28-LH		1-15/16
UDB-952325			2-15/16
UDB-952327			1-7/16
UDB-952329	1/2-13	1/4	1-15/16
UDB-952331	BALL THD is 5/16-24-LH		2-15/16
UDB-952333			3-15/16

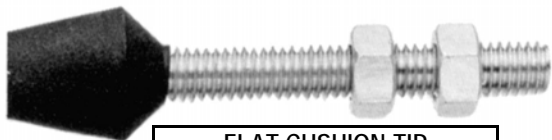
See page I-4 to select Swivel Screw Pads.
Add Swivel Pad Suffix to Spindle Screw Body Part No.



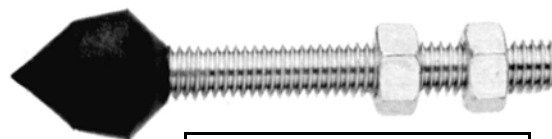
Ask your UNITED Service Representative to select the appropriate pads!

Spindles, Caps, & Accessories

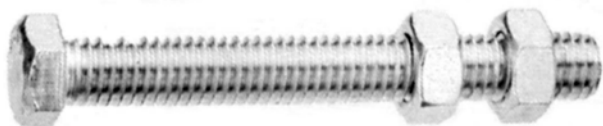
UniGrip Spindle Accessories



FLAT CUSHION-TIP BONDED NEOPRENE CAP	
UNITED PART NO.	DESCRIPTION
UCC-201208	10-24 x 1-3/8
UCC-202208	1/4-20 x 1-3/4
UCC-215208	1/4-20 x 2-1/8
UCC-225208	5/16-18 x 2-1/2
UCC-507208	5/16-18 x 3
UCC-527208	3/8-16 x 3-1/2
UCC-529208	3/8-16 x 4-1/2
UCC-531208	1/2-13 x 3-3/4



CONE CUSHION-TIP BONDED NEOPRENE CAP	
UNITED PART NO.	DESCRIPTION
UCC-310138	10-24 x 1-3/8
UCC-314134	1/4-20 x 1-3/4
UCC-213208	1/4-20 x 2-1/8
UCC-213210	1/4-20 x 3"
UCC-509208	5/16-18 x 2-1/2
UCC-509209	5/16-18 x 3"
UCC-220208	3/8-16 x 3"
UCC-210207	3/8-16 x 3-1/2



ADJUSTABLE SPINDLE ASSEMBLIES	
UNITED PART NO.	DESCRIPTION
UCC-105203	8-32 x 3/4 (nylon)
UCC-100118	10-24 x 1-1/8
UCC-202201	1/4-20 x 1-1/2
UCC-205203	1/4-20 x 1-3/4
UCC-441203	5/16-18 x 2
UCC-207203	5/16-18 x 2-1/2
UCC-218203	3/8-16 x 3
UCC-240203	3/8-16 x 4
UCC-325203	1/2-13 x 3
UCC-202203	1/2-13 x 4-1/2
UCC-250203	5/8-11 x 5



SWIVEL FOOT ADJUSTABLE SPINDLE ASSEMBLIES	
UNITED PART NO.	DESCRIPTION
UCC-207201	1/4-20 x 2-1/4
UCC-507206	5/16-18 x 2-3/4
UCC-468206	3/8-16 x 3
UCC-250206	1/2-13 x 4

You will be seeing more Uni-Grip and other style Clamps and Accessories in this Section in the next Catalog!

Call if you do not see it listed here.



NEOPRENE CAPS	
UNITED PART NO.	DESCRIPTION
UCC-215119	For 1/4 Spindle
UCC-225119	For 5/16 Spindle
UCC-235119	For 3/8 Spindle
UCC-245119	For 1/2 Spindle
TENITE CAPS IN STOCK	



FLANGED WASHERS FOR U-BAR CLAMPS ONLY		
UNITED PART NO.	DESCRIPTION	FOR SPINDLE
UCC-105106	#8	8-32
UCC-102111	#10	10-24
UCC-215105	1/4	1/4-20
UCC-507107	5/16	5/16-18
UCC-235106	3/8	3/8-16
UCC-247109	1/2	1/2-13
UCC-267102	5/8	5/8-11



BOLT RETAINERS WELD ON FOR SOLID ARM CLAMPS	
UNITED	DESCRIPTION
UCC-207105	FOR 1/4 SPINDLE
UCC-247110	FOR 5/16 SPINDLE
UCC-210380	FOR 3/8 SPINDLE
UCC-210120	FOR 1/2 SPINDLE
UCC-210580	FOR 5/8 SPINDLE

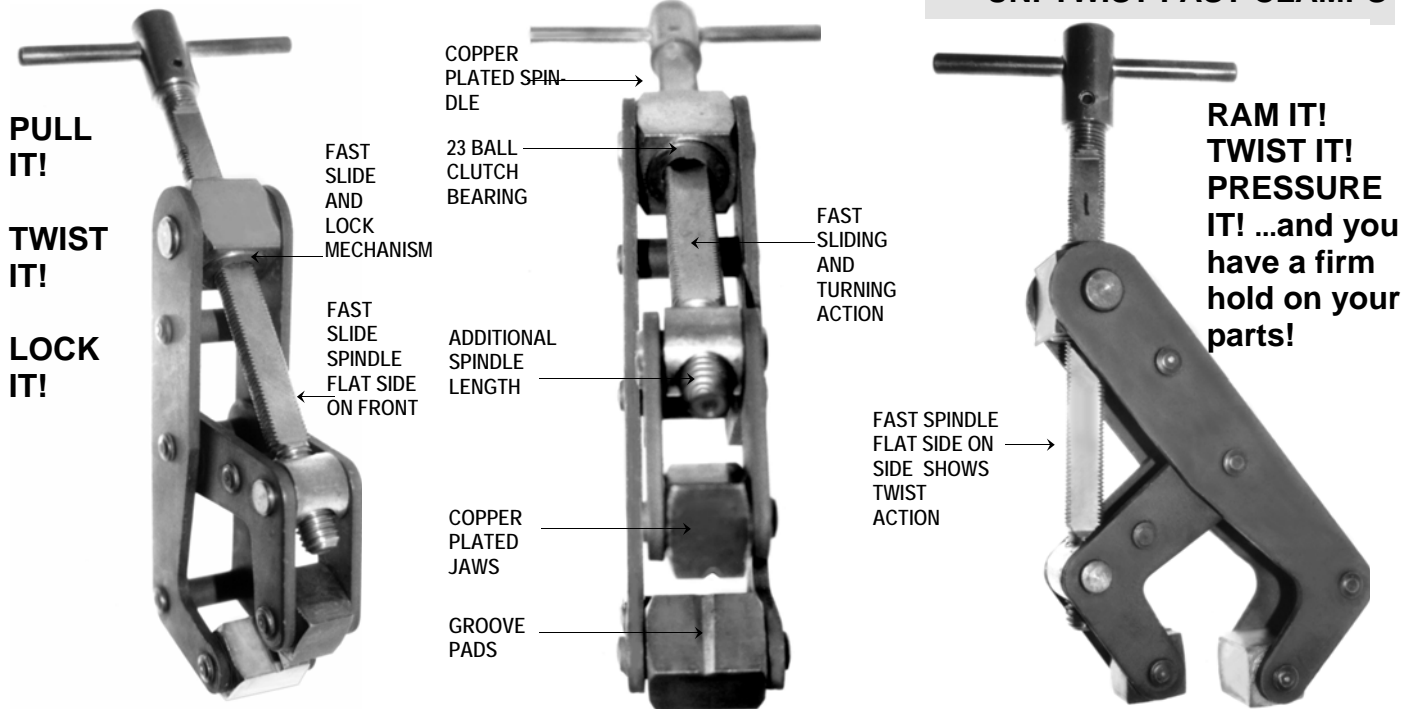
UniTwist Fast Clamps

BETTER — FASTER — LOWER COST CLAMPS!



One twist and you're moving to clamp – Another twist and you're locked on!

UNI-TWIST FAST CLAMPS

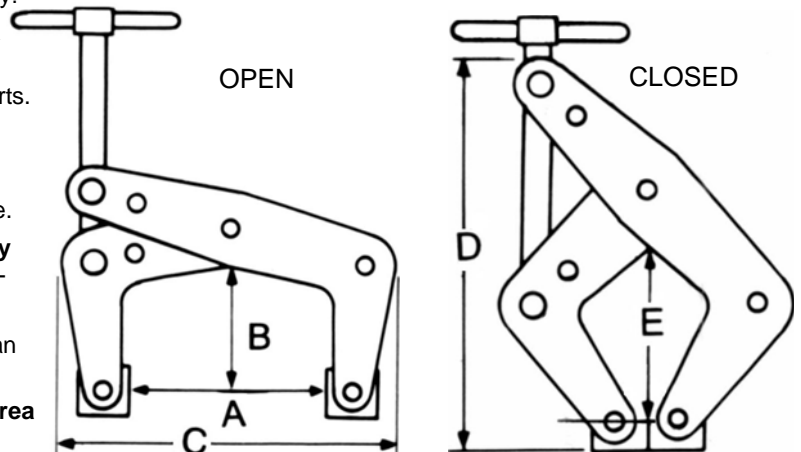


**RAM IT!
TWIST IT!
PRESSURE IT!** ...and you have a firm hold on your parts!

FEATURING:

- ❶ UniTwist sliding pressure screw locking clamps adapt to all angles — vertically and horizontally!
- ❷ Positive pressure sliding screw with quick ram lock gives ease of use.
- ❸ Apply pressure as necessary to hold clamped parts.
- ❹ UniTwist has a responsive fast release. Simply twist the handle in the opposite direction and pull the handle—you're free of your work piece.
- ❺ UNITED's UniTwist Fast Clamps provide the very best features of both C-Clamps and the Multi-Purpose UniTwist Clamps.
- ❻ Heat treated steel jaws with built-in 'V' blocks can hold any shape object easily and firmly.
- ❼ The cantilever clamp handle is out of the work area and offers full support.

A UNI-TWIST FAST CLAMP will do the job faster, better and cheaper. Try it! You'll like it and will appreciate all its advantages!



UniTwist PART NO.	A JAW MAX OPENING	B JAW OPEN DEPTH	C CLAMP WIDTH	D MAX LENGTH	E JAW CLOSED DEPTH	GRAMS	LBS.	OUNCES
UTQC-3	2-7/8 73MM	1-3/8 35MM	5-9/16 141.6MM	7-1/8 181MM	1-7/8 48MM	886	1.95	31.2
UTQC-4	3-5/8 92MM	2-3/4 70MM	6-1/2 165MM	8-3/4 222MM	3-1/8 80MM	1189	2.62	41.9
UTQC-6	6" 152MM	2" 51MM	8-1/2 216MM	10" 254MM	3-1/4 83MM	1626	3.58	56.3
UTQC-6D	5-5/8 143MM	4-7/8 124MM	8-7/8 276MM	12-3/8 314MM	5-1/2 140MM	2071	4.56	73.0
UTQC-9	8-3/8 213MM	4-1/4 108MM	12-3/4 324MM	13-5/8 346MM	4-13/16 122MM	3694	8.14	130.3
UTQC-10	10" 255MM	5-7/8 149MM	13-15/16 354MM	15-7/16 392MM	6-13/16 173MM	5283	11.65	186.3
UTQC-12	12-19/16 320MM	5-5/16 135MM	16-11/32 415MM	19-9/32 490MM	6-5/16 160MM	6091	13.43	214.8

COPPER PLATED JAWS AND SCREWS ARE IDEAL FOR WELDING.

NO LOOSE PADS TO WALK OFF CENTER AS JAWS ARE PARALLEL.

LIGHTWEIGHT AND DOES NOT DISTORT.

**Multi-Purpose
Clamps**

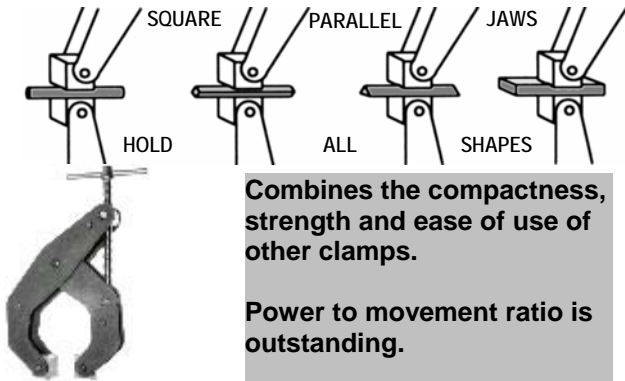
UniTwist Multi-Purpose Clamps from UNITED

UNI-TWIST MULTI-PURPOSE CLAMPS

Combining the best features of Parallel and C-Clamps!

FEATURES:

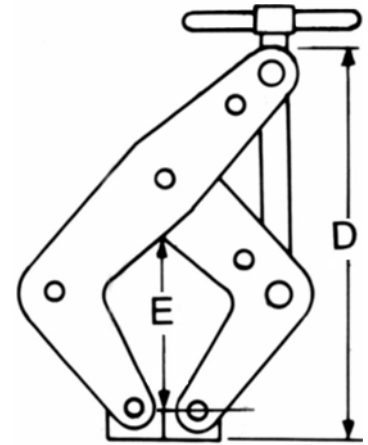
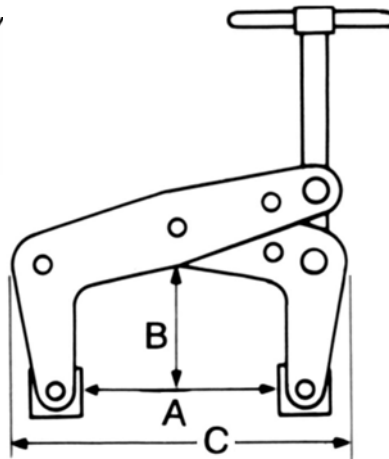
- ❶ **Powerful!** Nearly 50% stronger than C-Clamps.
- ❷ **Lighter weight** and **stronger** than parallel clamps.
- ❸ **Distortion and twisting** are **eliminated**.
- ❹ **Floating Jaws** that always **stay parallel**.
- ❺ **Copper plated jaws** and screws.
- ❻ **V-Pad jaws** hold round or rod stock.
- ❼ Ideal for **drilling, milling, welding** and **clamping**.
- ❽ **Versatile** with wider use than conventional clamps.
- ❾ Ideal for soft materials — **protects finishes**.



Combines the compactness, strength and ease of use of other clamps.

Power to movement ratio is outstanding.

No twisting necessary.



UniTwist PART NO.	A JAW MAX OPENING	B OPEN DEPTH	C CLAMP HEIGHT	D MAX THROAT DEPTH	E CLOSED DEPTH	GRAMS	LBS.	OUNCES
UTC-1	1" 25.4MM	1/2 12.7MM	1-1/8 47MM	2-5/8 65MM	5/8 16MM	50	.1102	1.8
UTC-2	2" 50.8MM	1-1/8 28.5MM	3-1/4 82MM	4-3/8 110MM	1-1/2 38MM	180	.3968	6.4
UTC-3	3" 76MM	1-1/4 32MM	4-1/2 115MM	6-1/4 160MM	2" 50.8MM	506	1.1155	17.9
UTC-4	4-1/2 115MM	2-3/4 70MM	8-1/4 210MM	8-5/8 220MM	3" 76MM	807	1.7791	28.5
UTC-6	6" 152MM	2-1/4 57MM	8-1/2 215MM	9-7/8 250MM	3-1/4 82MM	1302	2.8703	46.0
UTC-6D	6" 152MM	4-5/8 117MM	10-1/8 257MM	11-7/8 300MM	5-1/2 140MM	1829	4.0321	64.5
UTC-9	9" 229MM	3-3/8 86MM	12-15/16 330MM	15-1/2 395MM	5-1/4 133MM	3,128	6.885	110.2
UTC-10	15" 254MM	6" 152MM	13-31/32 335MM	15-19/32 395.8MM	7-1/2 190MM	4564	10.0617	161.0
UTC-12	12" 305MM	4-5/8 117MM	16-7/16 417.8MM	17-29/32 455MM	7" 178MM	6398	14.1049	225.0