

**Right Angle Power Feed Kit**

# Right Angle Power Feed Kit

POSITIVE FEED MOTOR, COOLANT NOSEPIECES, ADAPTERS

## UTK-268002-11 POWER FEED KIT

Right Angle Positive Feed Motor with *UNITED*'s 21000, 22000, 23000, and 24000 Coolant and Standard Nosepieces for short and long spindle drilling.

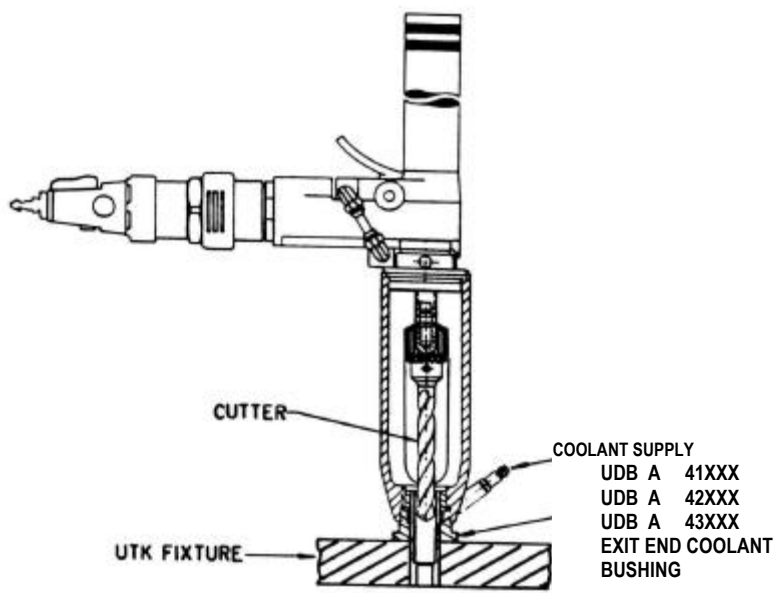
UCC-268002-101 Right Angle Drill Motor has 1-1/4" Aluminum and 1" Titanium and Steel capacity. Standard stroke capacity ranges are 5-3/4" - 6" - 9" - 9-1/4." Spindle Stroke Capacity is not limited.

**Kit includes 3/8" Three Jaw Chuck, Chuck Adapter, 3/8" Collet, Collet Nut, Spindle, Stop Nut, Chuck Key, Three Nosepiece Assemblies, Motor Spindle, and Male Air Fittings in a Case Assembly with Foam Inserts.**



Rib-I Stacker Case

Case UCC-268002-111 is 28" L x 18" W x 8" H inside



Typical Set Up for Right Angle Drill Motors with *UNITED* Nosepieces, Chuck and Exit End Coolant Bushings.

# Power Feed and Speed Kit

**Power Feed and Speed Desoutter Kit**

## UTK-268002-22 KIT

This Rack Feed Drill by Desoutter is manually fed and retracted. The operator has absolute control over feed pressure. Components of this **UNITED** Kit are ideal for rapid awareness of clearance when dry hole drilling.

The stroke length is fully adjustable. The automatic start/stop can be set to operate at any point within stroke settings for maximum air economy. You have a wide choice of speeds. Nosepieces for 21000, 22000, 23000, 24000 are included.



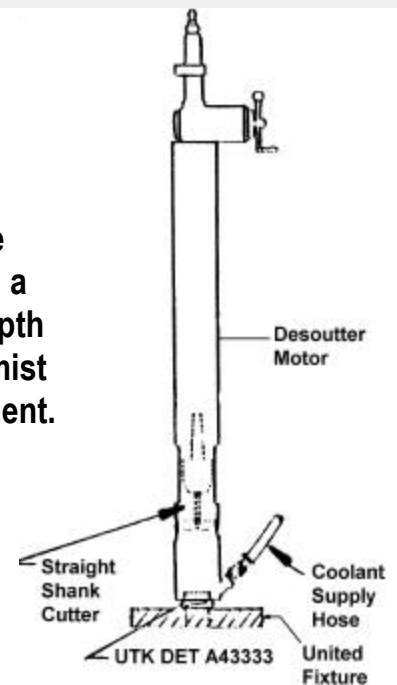
Rib-I Stacker Case

**RIB-I STACKER CASE UCC-268002-181**  
is 31" L x 18" W x 6-1/4" H inside



Contents		
UCC-268002-172	Desoutter Motor	UCC-268002-173 #2 Morse Taper
UCC-268002-174	Chuck Key	UCC-268002-175 Nosepiece Assy
UCC-268002-176	Nosepiece Assy	UCC-268002-177 Nosepiece Assy
UCC-268002-178	Nosepiece Assy	UCC-268002-179 Nosepiece Assy
UCC-268002-180	Nosepiece Assy	UCC-268002-353 Male Air Fitting

Tools can be equipped with a micrometer, depth control, and a mist coolant attachment.



Typical Set Up with Drill Motor and UNITED's Coolant Nosepiece.

**EXCELLENT FOR SPECIAL HOLES REQUIRING PRECISE DRILL CONTROL!**

Call or Fax **UNITED** for details.

**Drill Bars For Positive  
Feed Motors**

# Drill Bars For Positive Feed Motors



Rib-I  
Stacker  
Case

## UTK-268002-19-1 KIT

These Strong and Durable Precision Drill Bars will hold a large Drill Motor (QDA-10-11-12) and warrant close tolerances. Their great strength assures precise locating and correct alignments.

### KIT CONTENTS

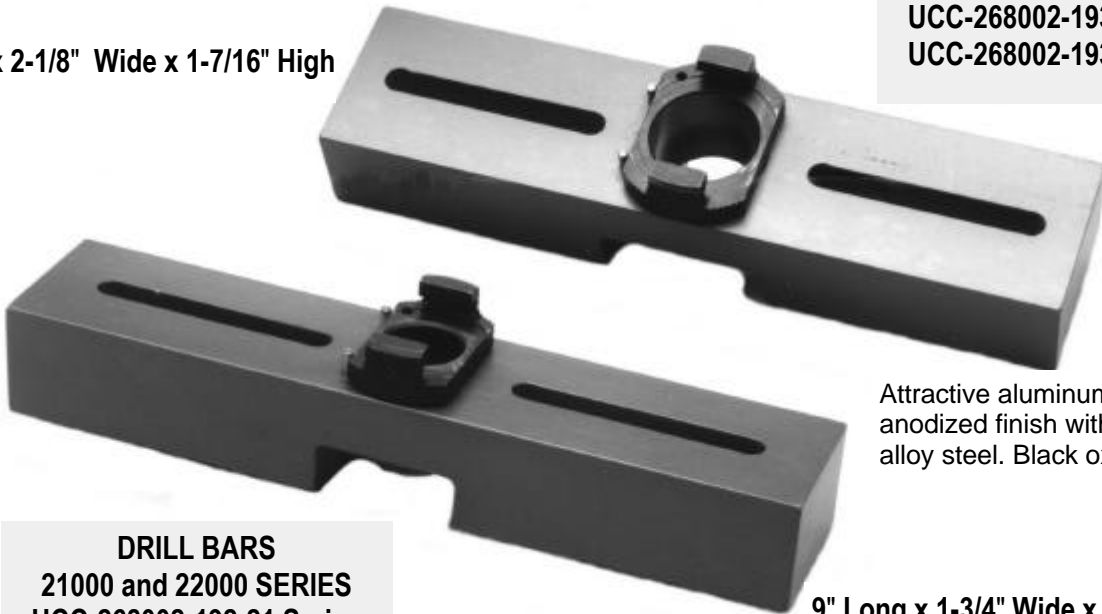
- 1 UCC-268002-192  
DRILL GUIDE BLOCK  
FOR 21000 and 22000 SERIES
- 1 UCC-268002-193  
DRILL GUIDE BLOCK  
FOR 23000 and 24000 SERIES

Also available in 25000 Series as Specials

Attractive yet Tough Protective CASE UCC-268002-194  
is 15" L x 10" W x 5" H with Foam Inserts

**DRILL BARS**  
23000 and 24000 SERIES  
UCC-268002-193-23 Series  
UCC-268002-193-24 Series

9" Long x 2-1/8" Wide x 1-7/16" High



Attractive aluminum hard blue  
anodized finish with heat treated  
alloy steel. Black oxide liners.

**DRILL BARS**  
21000 and 22000 SERIES  
UCC-268002-192-21 Series  
UCC-268002-192-22 Series

9" Long x 1-3/4" Wide x 1-7/16" High

See page P42.

# Super Sensor and Piggy-Back Positive Feed Motor

Super Sensor with  
Positive Feed Motor

## UTK-268002-17 KIT

### KIT CONTENTS

1	UCC 268002-155	DRILL MOTOR
1	UDB 731302-1/4	1/2" CHUCK ADAPTER
1	UDB 849415JC	1/2" DRILL CHUCK
1	UDB 849121	CHUCK KEY
1	UDB 615720	STROKE STOP
4	UDB 621235 NCS	NOSEPIECE ASSEMBLY
1	UDB 756171-7-K23-1.25	DEPTH SENSOR
1	UCC 268002-75F	SPANNER WRENCH
1	UCC 268002-354	MALE AIR FITTING
1	UDB 756171-27-56XX	ADAPTER NOSEPIECE TIP
1	UCC 268002-165	RIB-I CASE ASSY With FOAM



Rib-I  
Stacker  
Case



CASE UCC-268002-165 is  
24" L x 18" W x 15" H inside  
DURABLE RIB-I STACK STYLE

This power package is equipped  
with **UNITED's** Precision Coolant  
Nosepieces and our Super  
Sensible Super Sensor.

**UNITED's** combination package  
will drive 1-1/4" Drills and 7/8"  
Taperlocks. High performance is  
maintained day after day after day!

Call or Fax **UNITED** for further details.

**Universal Drill Bars**

# Universal Adjustable Swivel Drill Bar Fixtures

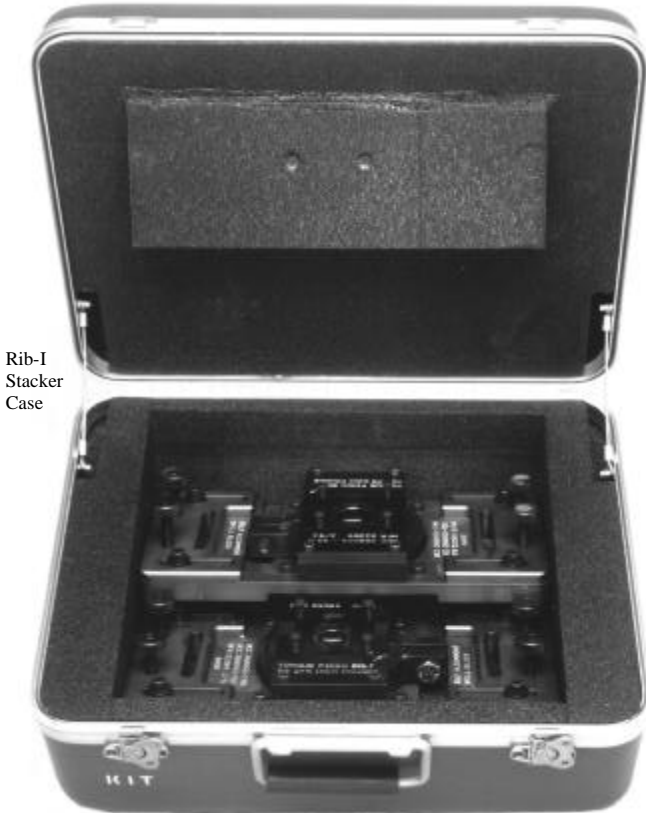
FOR LARGE POWERFUL MOTORS THAT

**UTK-268002-19-3 KIT**

**UNITED** Universal Adjustable Swivel Drill Bar Fixture picks up, transfers, aligns holes and locations within 90° to work surfaces.

Excellent for work on contoured surfaces! They swivel, adjust vertically and horizontally and expand their base.

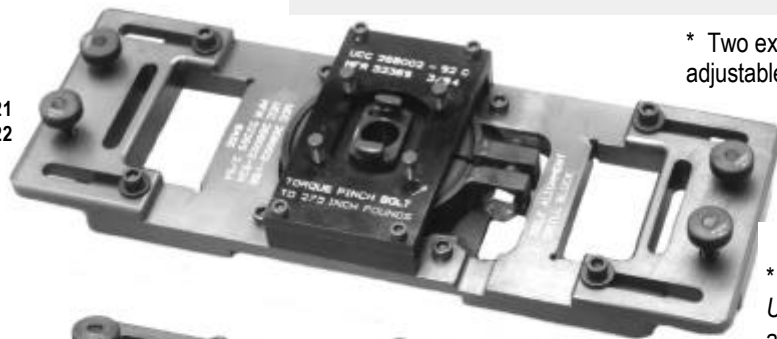
UNITED Fixture Kits are shipped in a Durable Polyethylene Case with Foam Inserts to protect your equipment. Fixtures are attractive aluminum hard blue anodized base with alloy heat treated center swing clamp. Locating surface has black oxide finish.



Rib-I Stacker Case

CASE UCC-268002-200 18" L x 13" W x 8" H inside

**\* SELF-ALIGNING DRILL BARS UNIVERSAL FIXTURES**

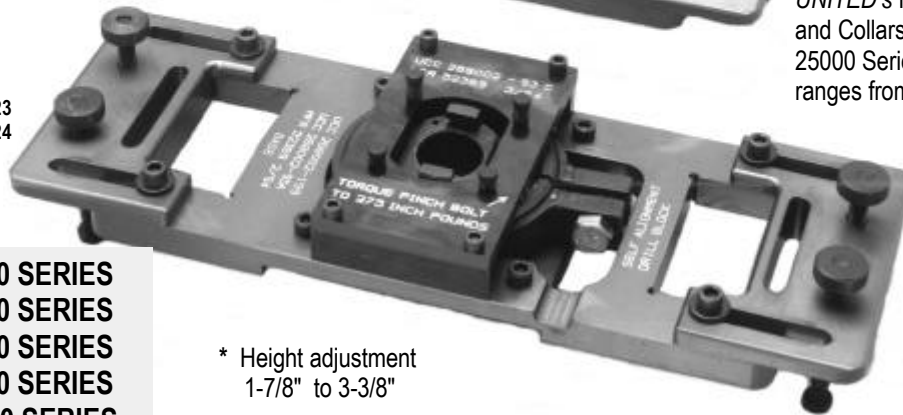


UCC-268002-198-21  
UCC-268002-198-22

\* Two extensions each end are adjustable for clamping surface.

\* 13-1/2" Long closed  
Adjusts to 16-1/2" Long  
x 6" Wide x 1-7/8" High

\* Holds, locks and aligns UNITED s Nurlock Shanks and Collars 21000 thru 25000 Series with I.D. ranges from 3/32" to 1-1/2".



UCC-268002-199-23  
UCC-268002-199-24

\* Four Leveling screw pads to adjust to work surface variations

- UCC-268002-198-1 21000 SERIES
- UCC-268002-198-2 22000 SERIES
- UCC-268002-199-3 23000 SERIES
- UCC-268002-199-4 24000 SERIES
- (UCC-268002-199-5 25000 SERIES as Special available on request)

\* Height adjustment 1-7/8" to 3-3/8"

See page P43.

# Master Alignment Coolant and Handle Bushing

Power Feed Alignment  
Bushing Kit

UTK-268002-19-5 KIT

**UNITED'S** Master Alignment and Handle Bushing Kit was conceived and designed to accommodate the Drill Motors shown on previous pages.

The Kit is complete with Alignment Pins for the Swivel Fixtures and Drill Guide Bar Fixtures, Power Feed Nurlock Coolant Drill Bushings and Handle Bushings.

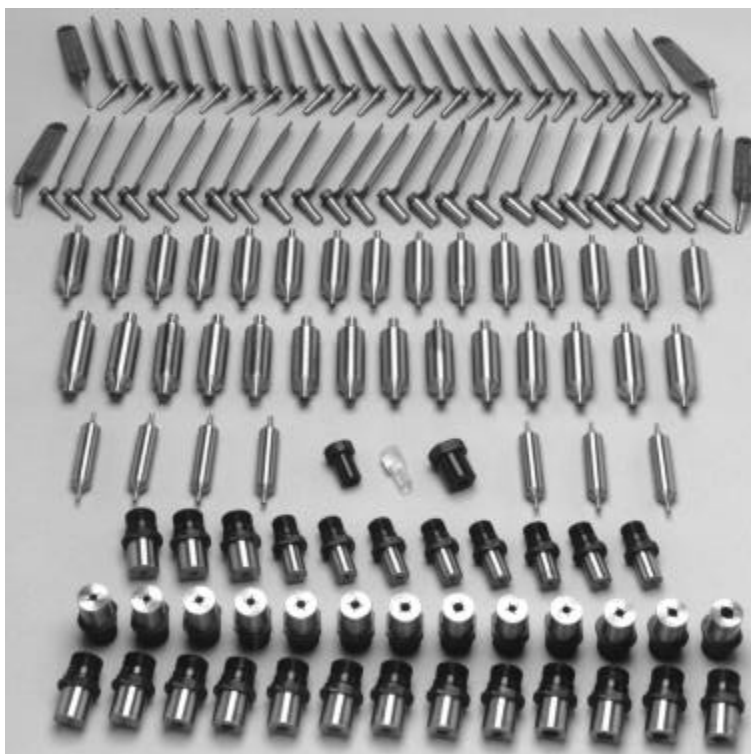
*This UNITED Kit contains the Drill Motors, Spindles, Nosepieces, Chucks, Bushings, Adapters and all essential Set Up and Check Out tooling to produce cylindrical and tapered quality holes.*

Call or Fax **UNITED** for further details.



Rib-I  
Stacker  
Case

RIB-I STACK CASE UCC-268002-309 is 24" L x 24" W x 6" H inside



Fifty-nine Close Tolerance Handle Bushings  
UCC-268002-255 thru 397 Handle Traveler  
Bushings from #30 thru 21/32.

Forty-five Precise Alignment Locating Pins  
UCC-268002-234 thru 376 of .1290 thru .6562.  
2 UDB-SB-32-16 Center Scopes  
1 UDB-SF-56-20-1/2 Bushing  
1 UDB-SF-80-20-1/2 Bushing

Thirty-seven Nurlock Coolant Adapter Tips  
(.1290 thru .6546)  
8 UDB-AH 42710 .1290 thru .2349  
29 UDB-AH 43610 .1290 thru .6546